

Errata to
Liquid Cooling Guidelines for Datacom Equipment Centers, Second Edition
(2013)

September 11, 2014

Shaded items have been added since the previously published errata sheet dated May 6, 2014.

Page 51: Figure 4.15 is incorrect. The correct figure is below.

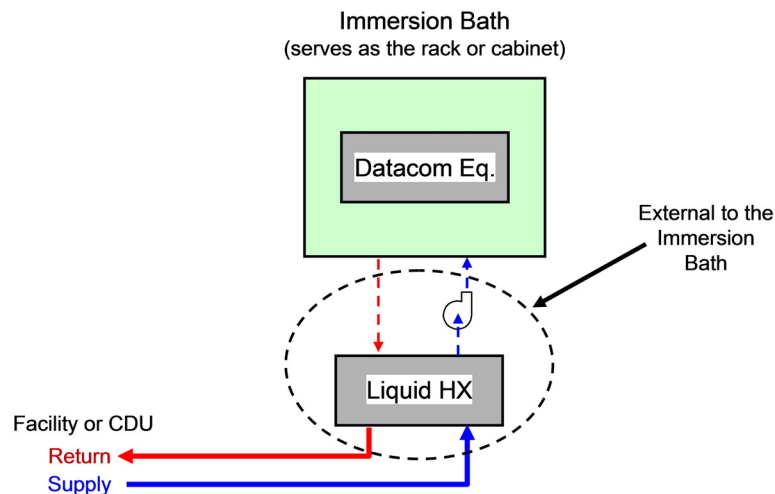


Figure 4.15 Immersion cooled datacom equipment in a liquid-cooled rack using a vapor compression system.

Page 70: Figure 5.5 is incorrect. The correct figure is below.

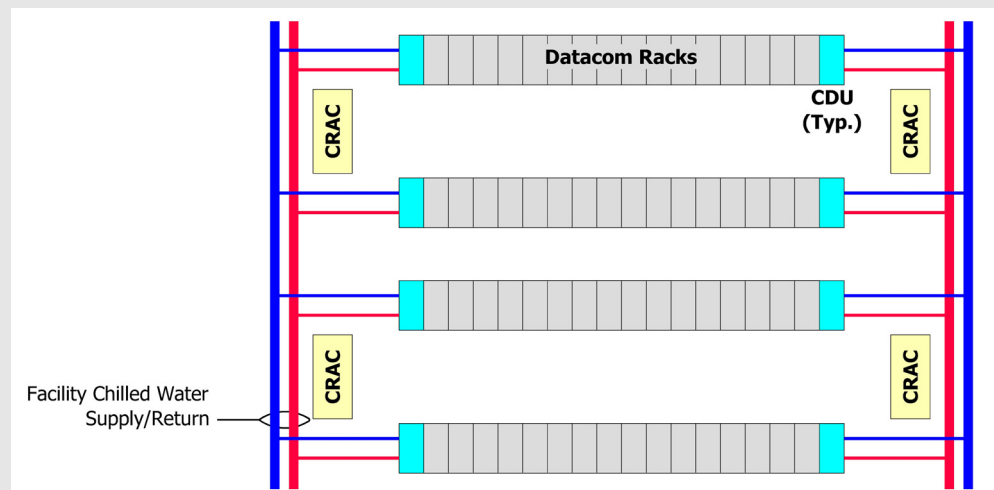


Figure 5.5 Location of CDU units in data center—Option 1.

For online access to these errata as well as updates to other publications, visit www.ashrae.org/publicationupdates.

Please notify ASHRAE of any other errors you might find by using the Comment on Publications form at www.ashrae.org/resources--publications.

Figure 6.2 is incorrect. The correct figure is below.

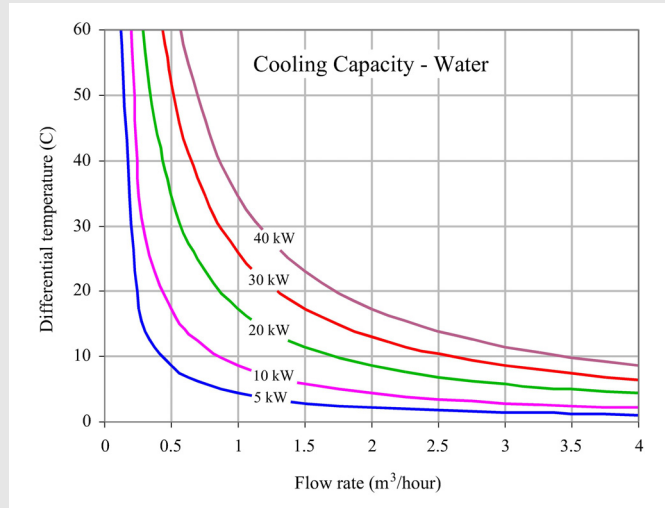


Figure 6.2 Water flow rates for TCS loop and for constant heat load.