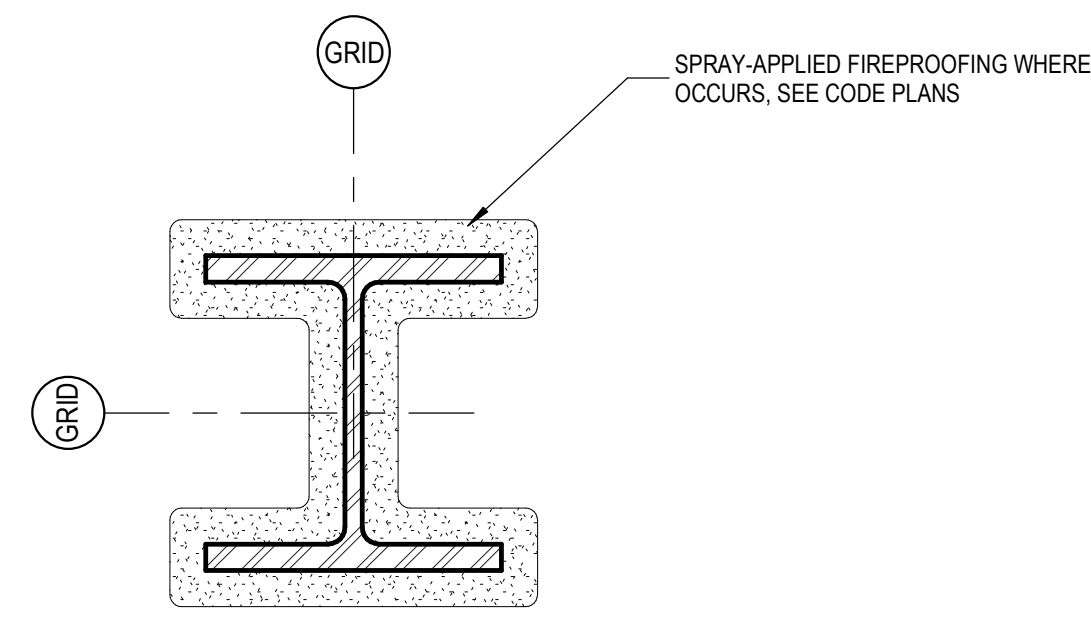


ABBREVIATIONS

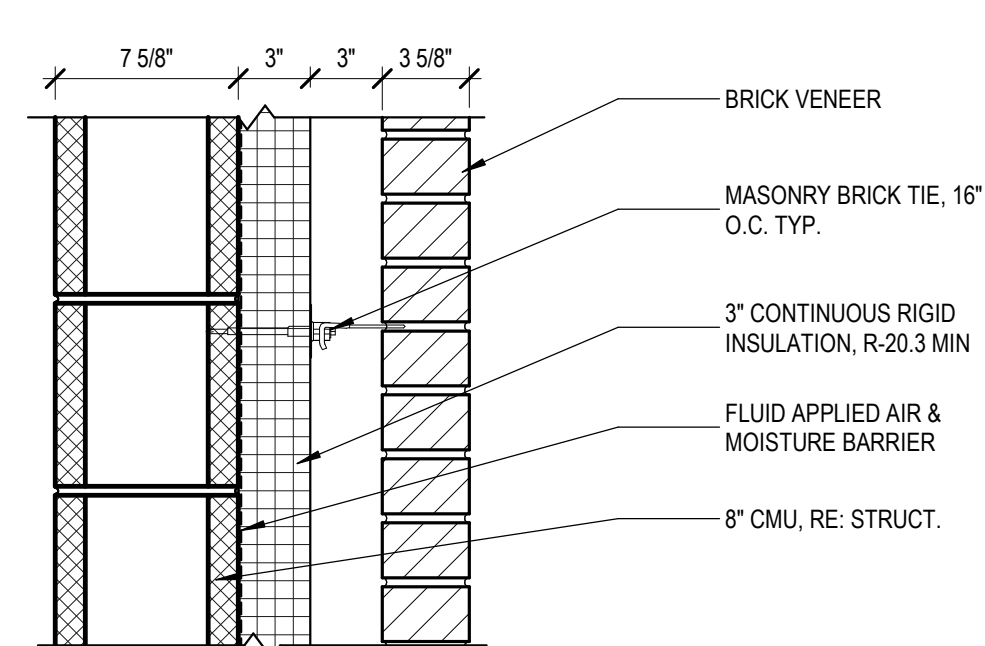
ACR	ACRYLIC PANEL	DIV	DIVISION	FUT	FUTURE	MO	MASONRY OPENING	SC	SOLID CORE/ SEALED CONCRETE
ACT	ACOUSTIC CEILING TILE	DN	DOWN	MOD	MODIFY	MTD	MOUNTED	SCHED	SCHEDULE
ADJ	ADJUSTABLE	DR	DOOR	GA	GAUGE	MTL	METAL	SEC	SECTION
AFF	ABOVE FINISHED FLOOR	DS	DOWNSPOUT	GALV	GALVANIZED	NO	NOT IN CONTRACT	SF	SPORTS FLOORING
AFG	ABOVE FINISHED GRADE	DTL	DETAIL	GB	GRAB BAR	NC	NOT TO SCALE	SHTG	SHEATHING
ALT	ALTERNATE	DWG	DRAWING	GC	GENERAL CONTRACTOR	NTS	NOT TO SCALE	SIM	SIMILAR
ALUM	ALUMINUM	EA	EACH	GEN	GENERAL/GENERATOR	NOM	NOMINAL	SPEC	SPECIFICATION
ANOD	ANODIZED	EB	EDGE BANDING	GL	GLAZING	OC	ON CENTER	SS	STAINLESS STEEL
APP	APPROVED	ENCL	ENCLOSURE	GND	GROUND	OH	OVERHEAD	SSC	SOLID SURFACE COUNTERTOP
APPROX	APPROXIMATE	EJ	EXPANSION JOINT	GR	GRADE	OPG	OPENING	ST	STAIN
ARCH	ARCHITECT/ARCHITECTURE	EL	ELEVATION	GRAN	GRANITE	OPP	OPPOSITE	STCN	STAINED CONCRETE
AWC	ACOUSTICAL WALL COVERING	RAL	ELECTRIC	GYP	GYP SUM	OC	OUTSIDE DIAMETER	STD	STANDARD
		ELEV	ELEVATOR	GYP BD	GYP SUM BOARD	OD	OUTSIDE DIAMETER	STL	STEEL
		ENCL	ENCLOSURE			OH	OVERHEAD	STN	STONE
		ENTR	ENTRANCE	HC	HANDICAPPED	OPG	OPENING	STRUCT	STRUCTURAL
BD	BOARD	EP	EPOXY PAINT	HDBD	HARDBOARD	OPP	OPPOSITE	SURF	SURFACE
BFG	BELOW FINISHED GRADE	EQ	EQUAL	HDR	HEADER	OPP HD	OPPOSITE HAND	SYS	SYSTEM
BG	BUMPER GUARD	EQUIP	EQUIPMENT	HDW	HARDWARE	PID	POWER / DATA	TB	TACKBOARD
BLDG	BUILDING	EQUIV	EQUIVALENT	HDWD	HARDWOOD	PPT	PAINT	THK	THICK
BLK	BLOCK	ESC	ESCALATOR	HGT	HEIGHT	PA	POURED ACRYLIC	TEMP	TEMPORARY/TEMPERED
BLKG	BLOCKING	EST	ESTIMATE	HM	HOLLOW METAL	PBD	PARTICLE BOARD	TR	TRIM
BO_	BOTTOM OF _	EW	ELECTRIC WATER COOLER	HR	HORIZONTAL	PC	PRECAST CONCRETE	TR	TRIM
BOT	BOTTOM	EXC	EXCAVATE	ID	INSIDE DIAMETER	PE	POURED EPOXY	TS	TRANSITION STRIP
BRG	BEARING	EXH	EXHAUST	INT	INTERIOR	PL	PLASTIC LAMINATE	TYP	TYPICAL
BTWN	BETWEEN	EXST	EXISTING	INSUL	INSULATION	PLW	PLYWOOD	UNF	UNFINISHED
		OR (E)	OR (EXISTING)	INT	INTERIOR	PNL	PANEL	UNION	UNLESS OTHERWISE NOTED
CAB	CABINET	EXP	EXPANSION/ EXPOSED	JST	JOIST	PREM	PRELIMINARY	UTL	UTILITY
CC	CUBICLE CURTAIN	EXT	EXTERIOR	JT	JOINT	PREP	PREPARED	VAR	VARIABLES
CER	CERAMIC	FA	FIRE ALARM	FCP	FIBER CEMENT PANEL	PTD	PAINTED	VERT	VERTICAL
CF	CORK FLOORING	FD	FLOOR DRAIN	FD	FLOOR DRAIN	PTN	PARTITION	VIF	VERIFY IN FIELD
CG	CORNER GUARD	FE	FIRE EXTINGUISHER	FE	FIRE EXTINGUISHER	QTY	QUANTITY	VIF	VERIFY IN FIELD
CJ	CONTROL JOINT	FEC	FIRE EXTINGUISHER CABINET	FF	FACTORY FINISH/ FINISHED FLOOR	QUAL	QUALITY	VRFY	VERIFY
CL	CENTERLINE	FIN	FINISH	FLR	FLOOR	LAD	LADDER	WVC	VINYL WALL COVERING
CLG	CEILING	FIN	FINISH	FLR	FLOOR	LAM	LAMINATE	WV	WITHOUT
CLNG	CAULKING	FIN	FINISH	FLR	FLOOR	LBL	LABEL	WV	WITHOUT
CLR	CLEAR	FLR	FLOOR	FLR	FLOOR	LDR	LEADER	WV	WITHOUT
CMU	CONCRETE MASONRY UNIT	FLR	FLOOR	FLR	FLOOR	LDR	LEADER	WV	WITHOUT
		FLR	FLOOR	FLR	FLOOR	LDR	LEADER	WV	WITHOUT
CNTR	COUNTER	FLR	FLOOR	FLR	FLOOR	LDR	LEADER	WV	WITHOUT
CO	CLEAN OUT	FLR	FLOOR	FLR	FLOOR	LDR	LEADER	WV	WITHOUT
COL	COLUMN	FLR	FLOOR	FLR	FLOOR	LDR	LEADER	WV	WITHOUT
CONC	CONCRETE	FLR	FLOOR	FLR	FLOOR	LDR	LEADER	WV	WITHOUT
COORD	COORDINATE	FLR	FLOOR	FLR	FLOOR	LDR	LEADER	WV	WITHOUT
CONST	CONSTRUCTION	FLR	FLOOR	FLR	FLOOR	LDR	LEADER	WV	WITHOUT
CONT	CONTINUOUS	FLR	FLOOR	FLR	FLOOR	LDR	LEADER	WV	WITHOUT
CONTR	CONTRACTOR	FLR	FLOOR	FLR	FLOOR	LDR	LEADER	WV	WITHOUT
COORD	COORDINATE	FLR	FLOOR	FLR	FLOOR	LDR	LEADER	WV	WITHOUT
CPT	CARPET	FLR	FLOOR	FLR	FLOOR	LDR	LEADER	WV	WITHOUT
CT	CERAMIC TILE	FLR	FLOOR	FLR	FLOOR	LDR	LEADER	WV	WITHOUT
CTR	CENTER	FLR	FLOOR	FLR	FLOOR	LDR	LEADER	WV	WITHOUT
		FLR	FLOOR	FLR	FLOOR	LDR	LEADER	WV	WITHOUT
DBL	DOUBLE	FLR	FLOOR	FLR	FLOOR	LDR	LEADER	WV	WITHOUT
DEG	DEGREE	FLR	FLOOR	FLR	FLOOR	LDR	LEADER	WV	WITHOUT
DENO	DEMOLITION	FLR	FLOOR	FLR	FLOOR	LDR	LEADER	WV	WITHOUT
DET	DETAIL	FLR	FLOOR	FLR	FLOOR	LDR	LEADER	WV	WITHOUT
DF	DRINKING FOUNTAIN	FLR	FLOOR	FLR	FLOOR	LDR	LEADER	WV	WITHOUT
DIA	DIAMETER	FLR	FLOOR	FLR	FLOOR	LDR	LEADER	WV	WITHOUT
DIM	DIMENSION	FLR	FLOOR	FLR	FLOOR	LDR	LEADER	WV	WITHOUT

ANNOTATION LEGEND

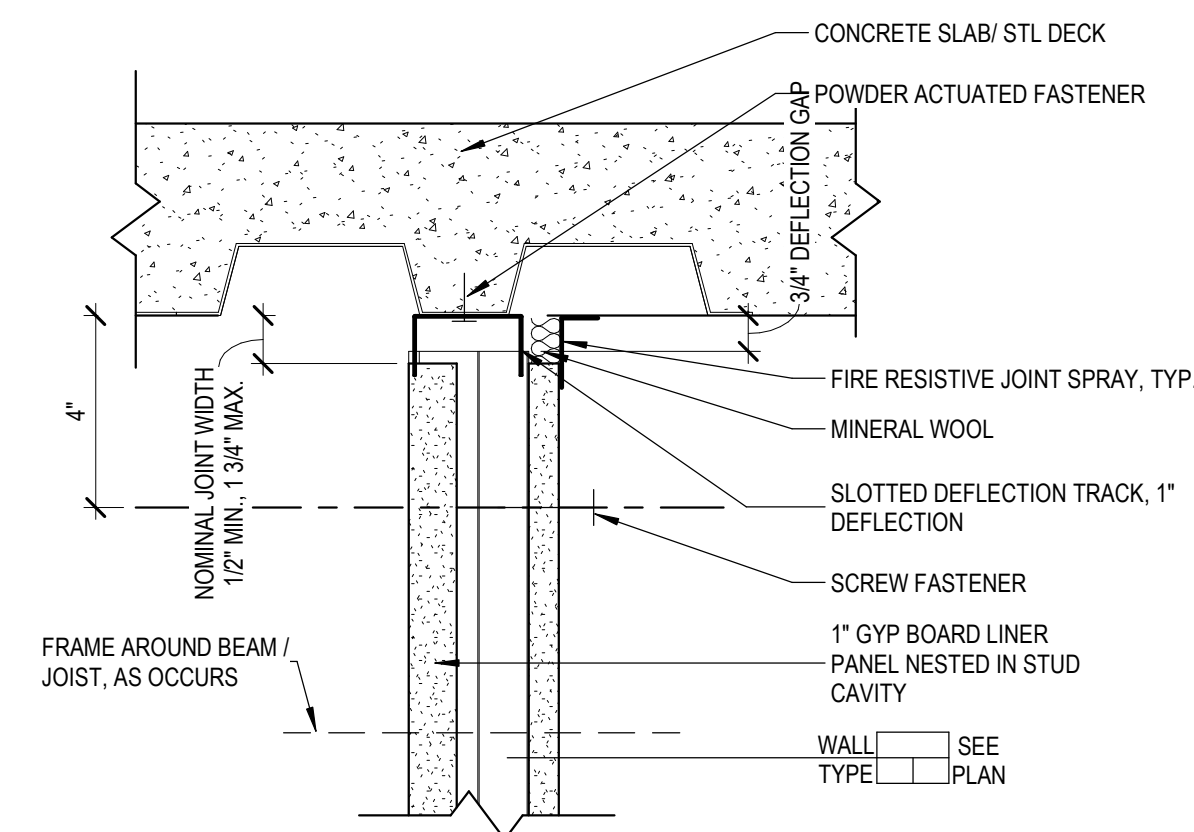
	BUILDING SECTION		DEMOLITION KEYNOTE
	WALL SECTION		KEYNOTE
	DETAIL		DOOR NUMBER
	ELEVATION		WINDOW/ STOREFRONT INFORMATION
	INTERIOR ELEVATION		SYSTEM DESCRIPTION FRAME MATERIAL GLAZING TYPE
	INTERIOR FINISH ELEVATION		WALL, FLOOR, ROOF/ PARTITION TYPE
	ROOM NAME AND NUMBER		FURNITURE, FN## EQUIPMENT, EQ## SPECIALTIES, SP## TOILET ACCESSORIES, TA##
	NEW GRID LINE		Revision Description
	EXISTING GRID LINE		



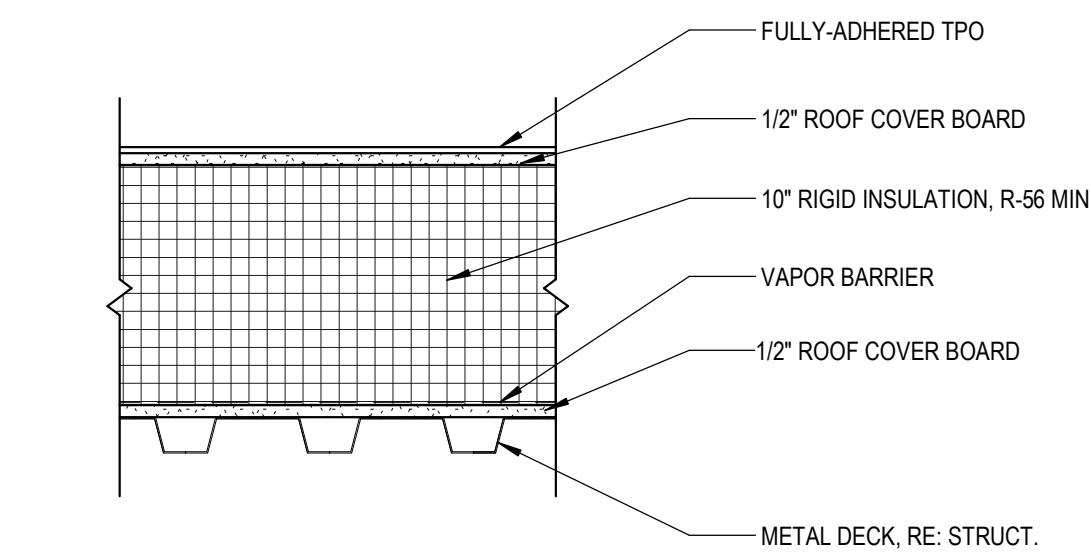
1 HR RATED COLUMN - X829  
1 1/2" = 1'-0"



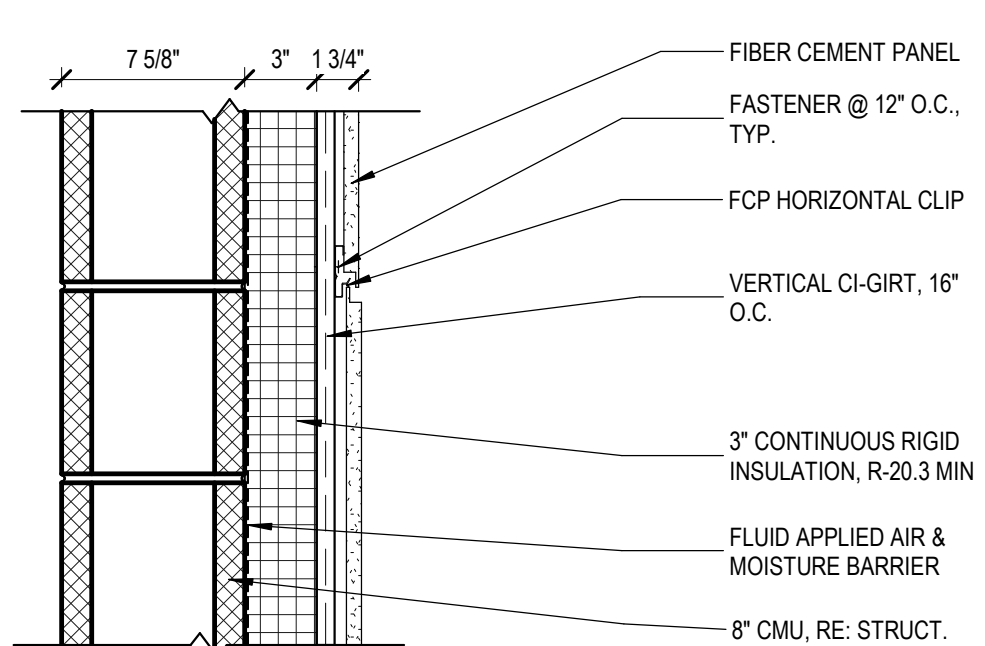
EXTERIOR WALL TYPE WCM8G  
1 1/2" = 1'-0"



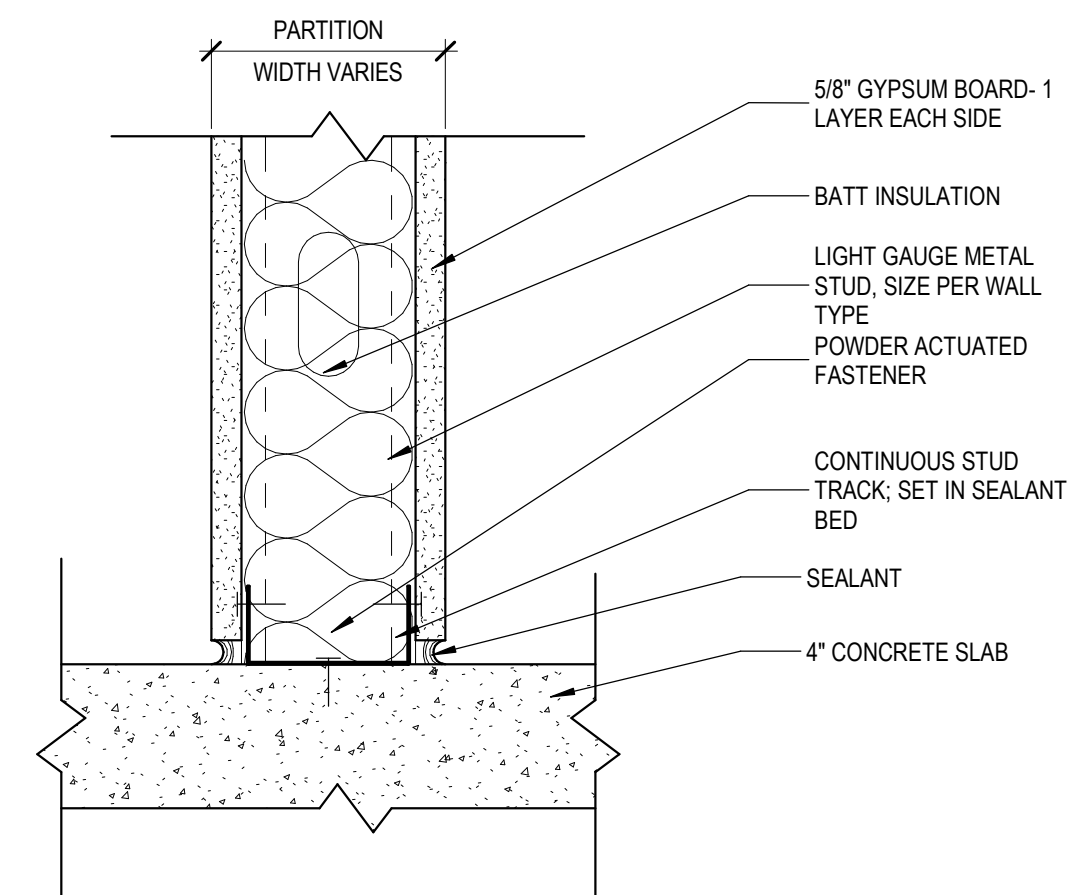
15 SHAFTWALL TO SLAB DETAIL  
3" = 1'-0"



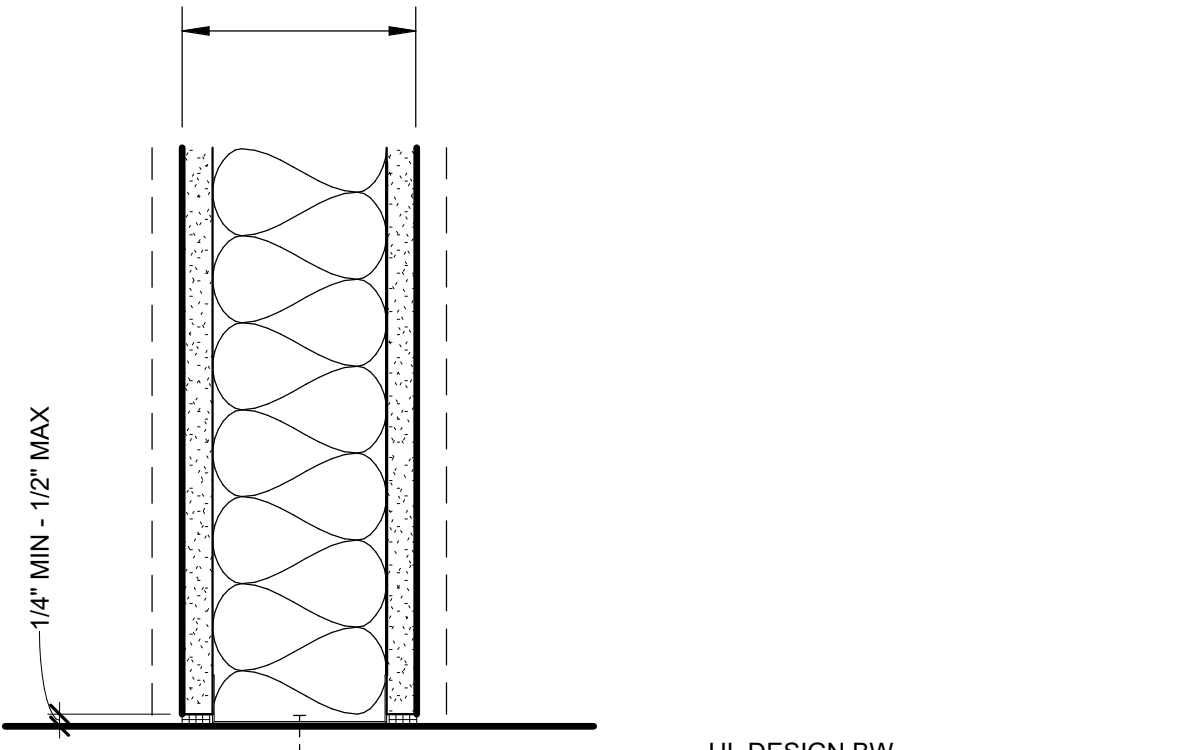
TYPICAL ROOF ASSEMBLY  
1 1/2" = 1'-0"



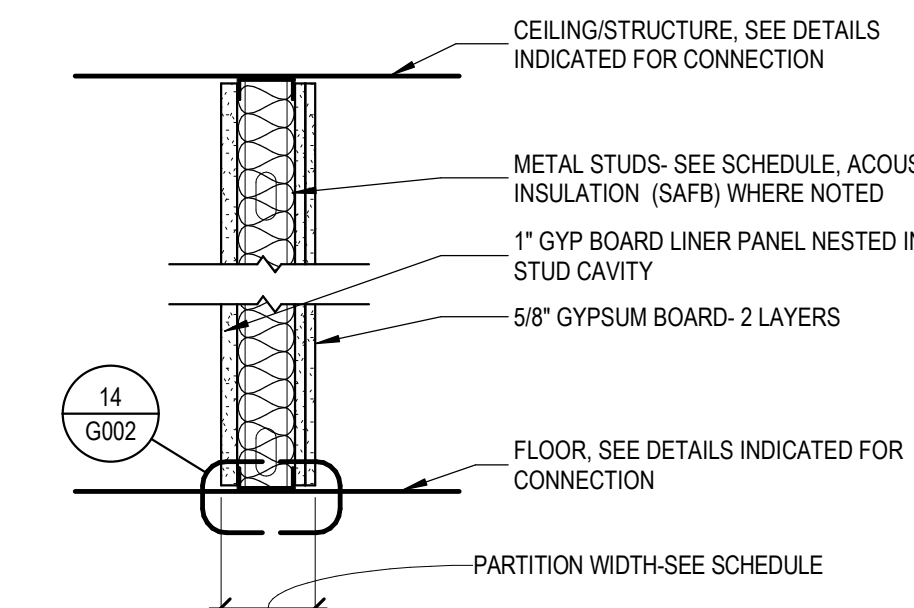
EXTERIOR WALL TYPE WCM8F  
1 1/2" = 1'-0"



19 NON-RATED WALL BASE DTL  
3" = 1'-0"

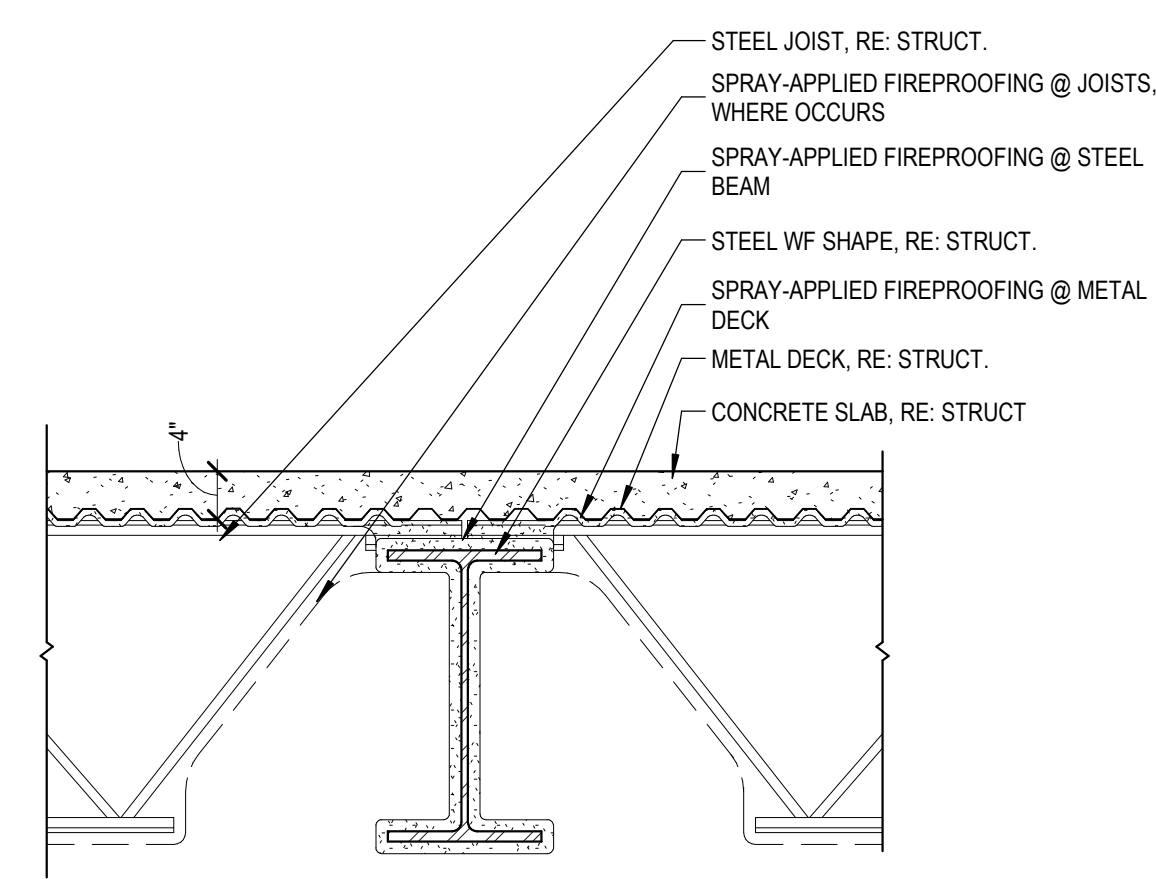


14 TYPICAL FIRE RATED BASE DTL  
3" = 1'-0"

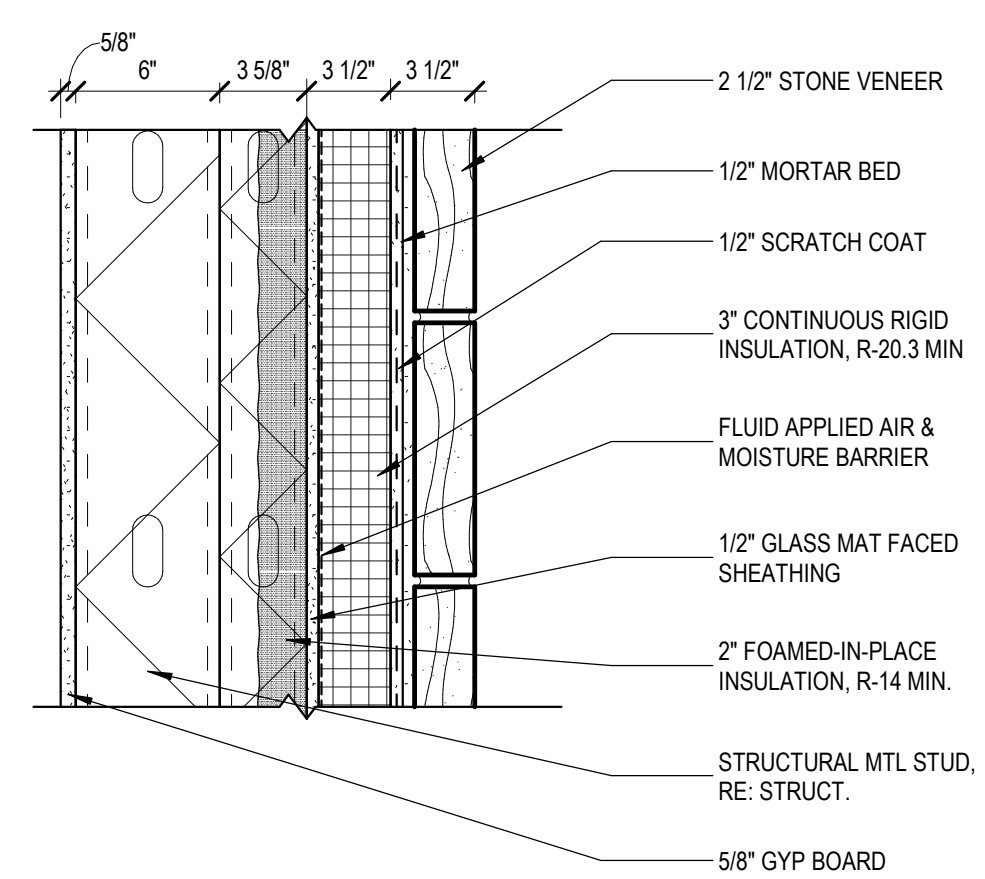


PARTITION TYPE ASSEMBLY S(X)Y			
ASSEMBLY SIZE (X)	ASSEMBLY RATING	U.L. LISTING	PARTITION WIDTH
6	V	U415	7 1/4"

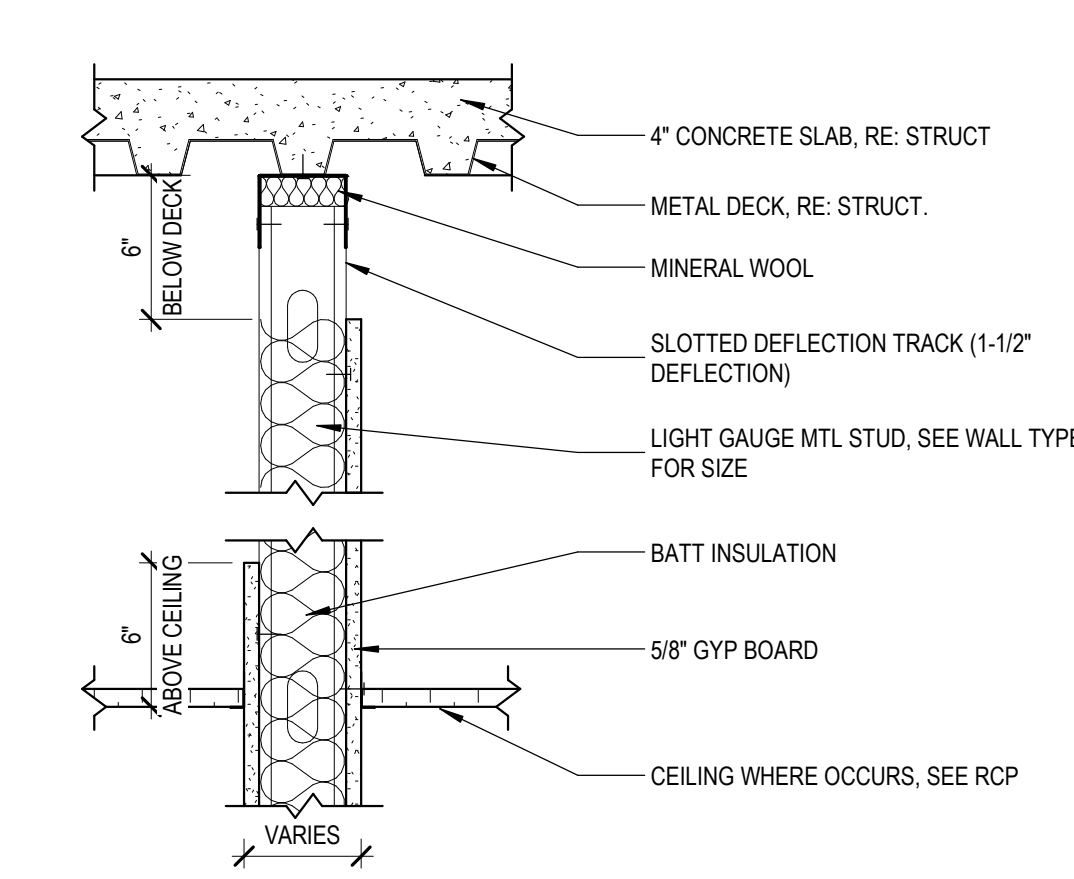
PARTITION TYPE S(X)Y - 2 HOUR SHAFT ENCLOSURE  
1" = 1'-0"



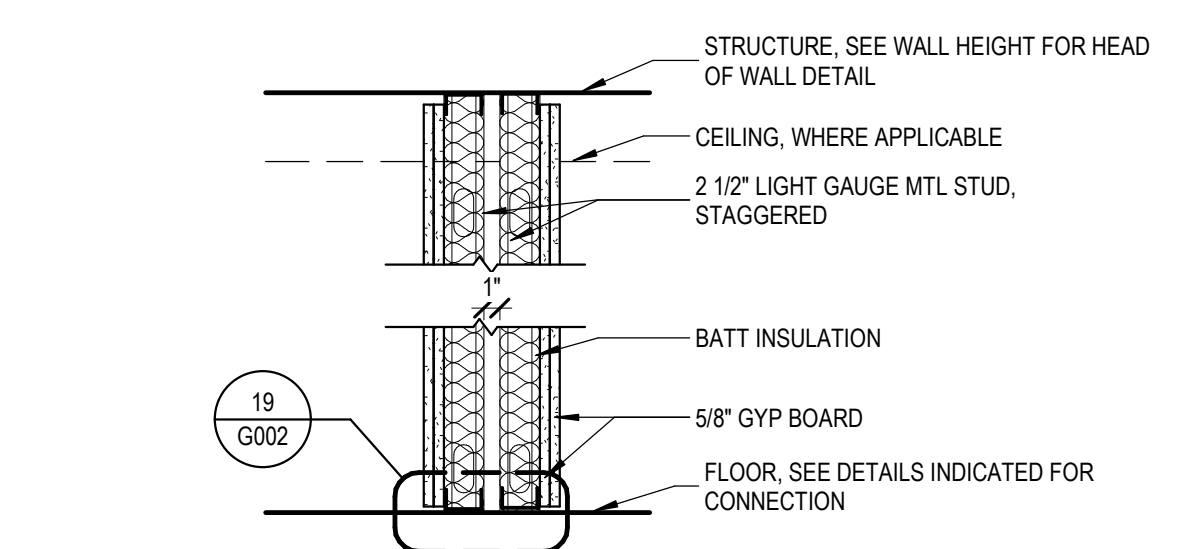
1 HR RATED FLOOR ASSEMBLY - G801  
3/4" = 1'-0"



EXTERIOR WALL TYPE WMF6G - STONE VENEER  
1 1/2" = 1'-0"

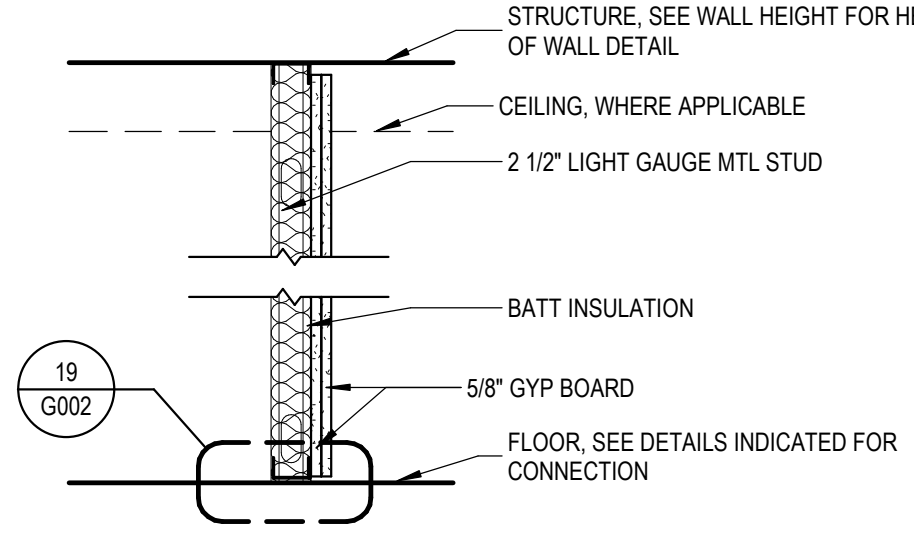


HEAD OF WALL - \"/>



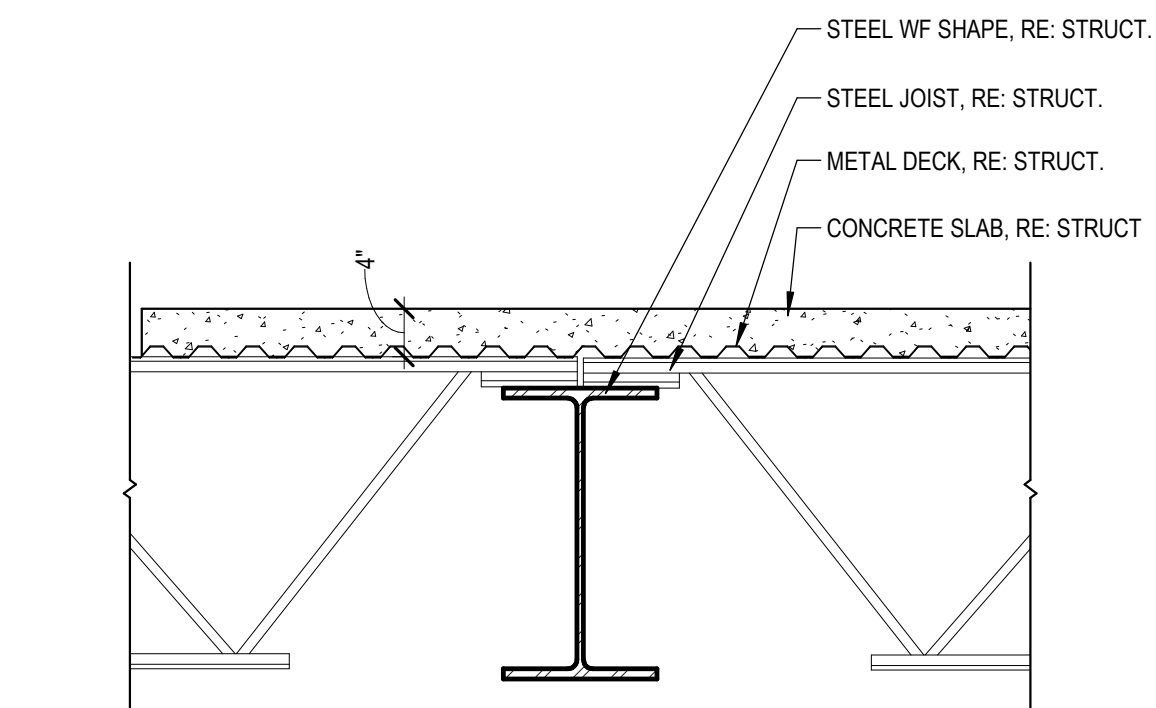
PARTITION TYPE ASSEMBLY MF(X)B			
ASSEMBLY SIZE (X)	ASSEMBLY RATING	U.L. LISTING	PARTITION WIDTH
2.2	B		8 1/2"

PARTITION TYPE MF(X)B - NON-RATED PARTITION  
1" = 1'-0"

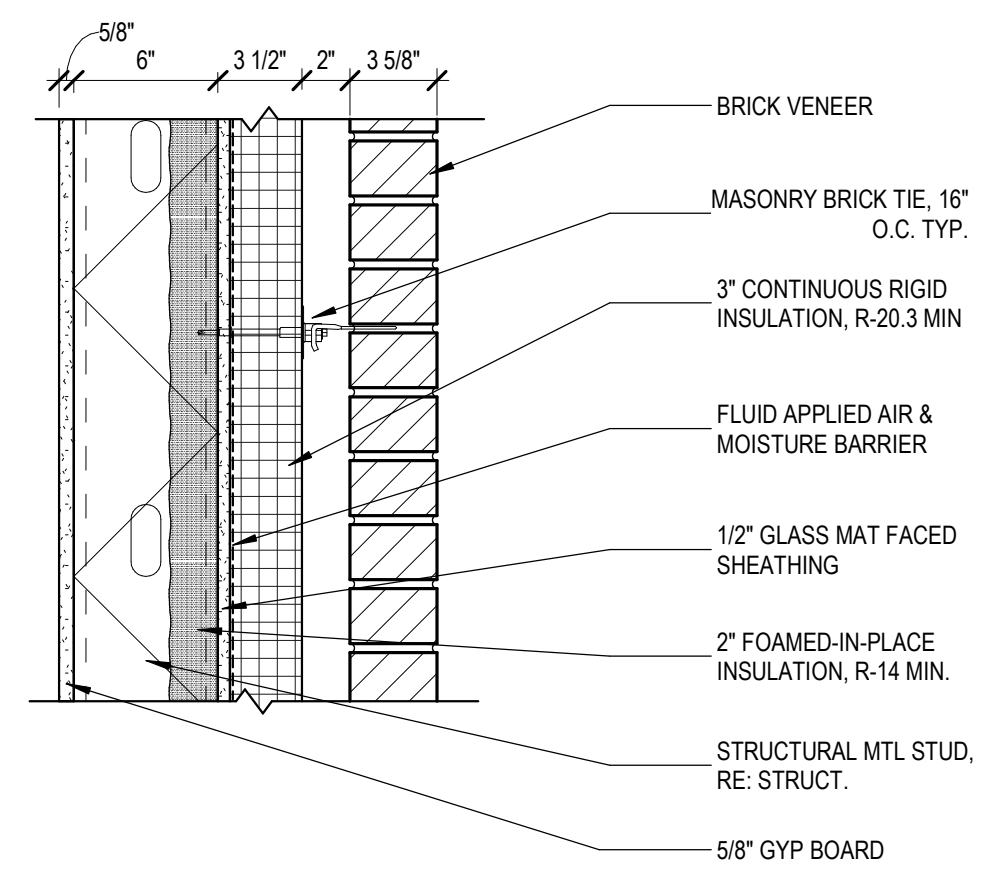


PARTITION TYPE ASSEMBLY F(X)B			
ASSEMBLY SIZE (X)	ASSEMBLY RATING	U.L. LISTING	PARTITION WIDTH
2	B		3 3/4"
3	B		4 7/8"

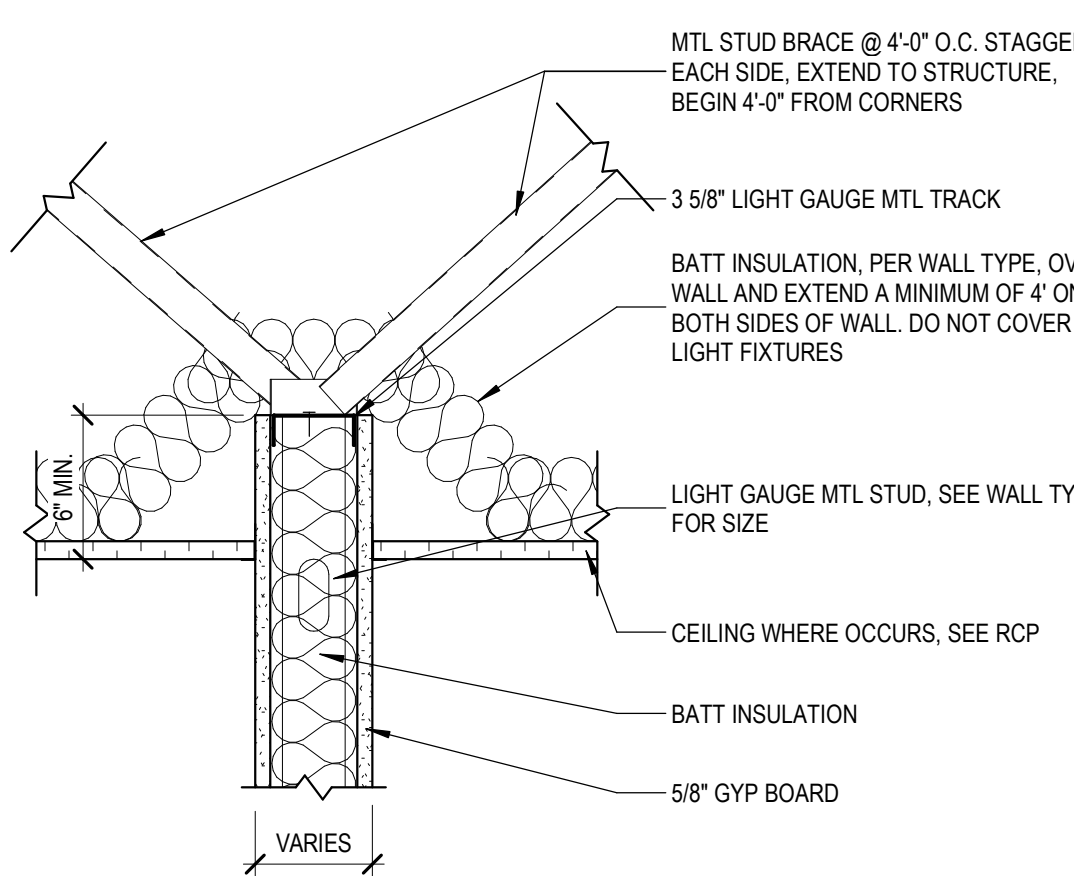
PARTITION TYPE F(X)B - NON-RATED FURRING WALL  
1" = 1'-0"



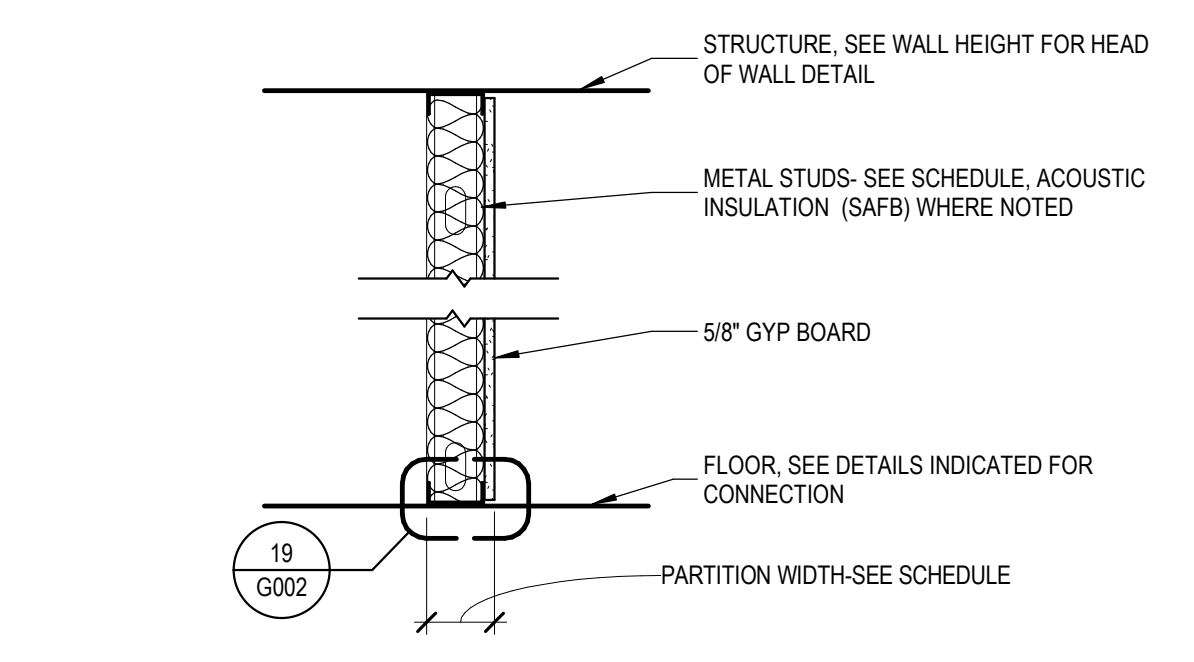
FLOOR TYPE - CONCRETE SLAB OVER METAL DECK  
3/4" = 1'-0"



EXTERIOR WALL TYPE WMF6G - BRICK VENEER  
1 1/2" = 1'-0"

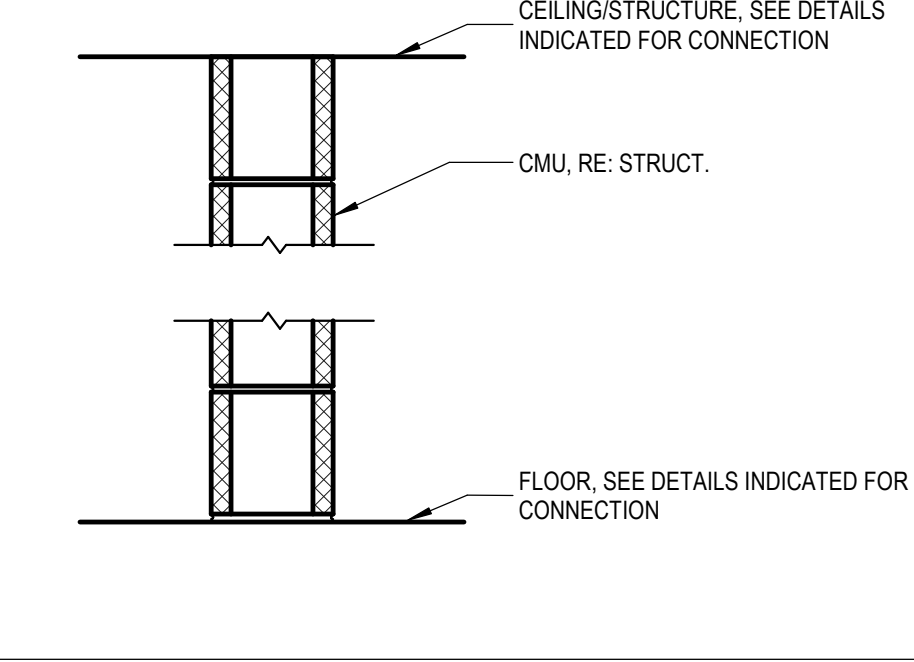


HEAD OF WALL - \"/>



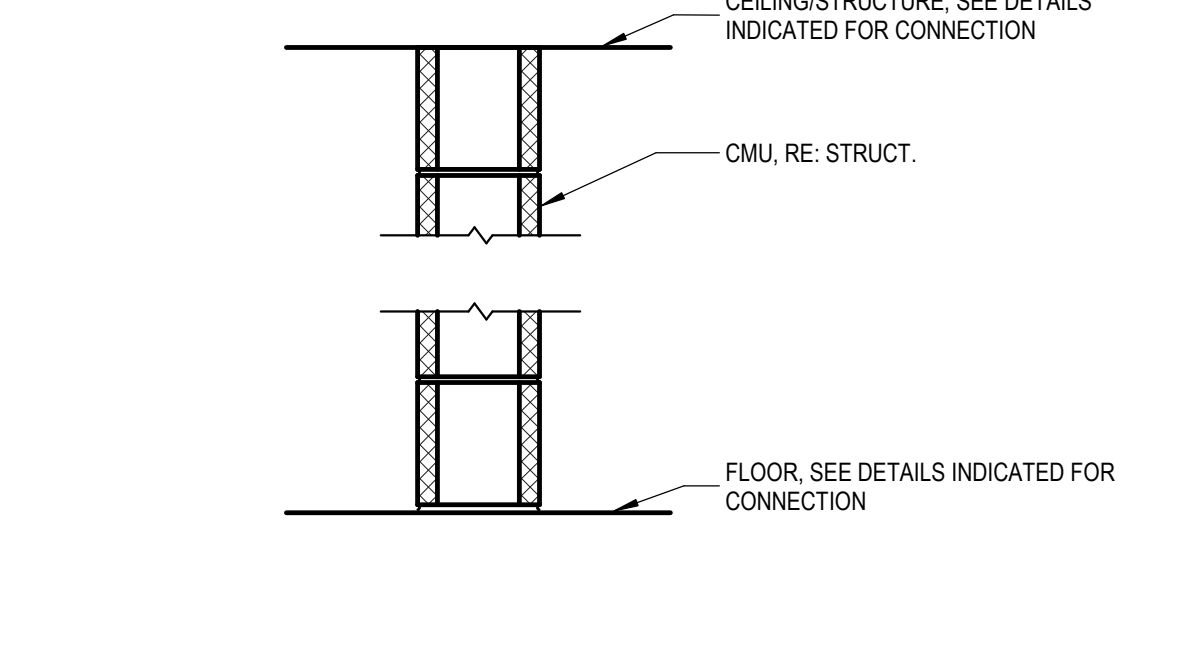
PARTITION TYPE ASSEMBLY F(X)A			
ASSEMBLY SIZE (X)	ASSEMBLY RATING	U.L. LISTING	PARTITION WIDTH
2	A		3 1/8"
3	A		4 1/4"
6	A		6 5/8"

PARTITION TYPE F(X)A - NON-RATED FURRING WALL  
1" = 1'-0"



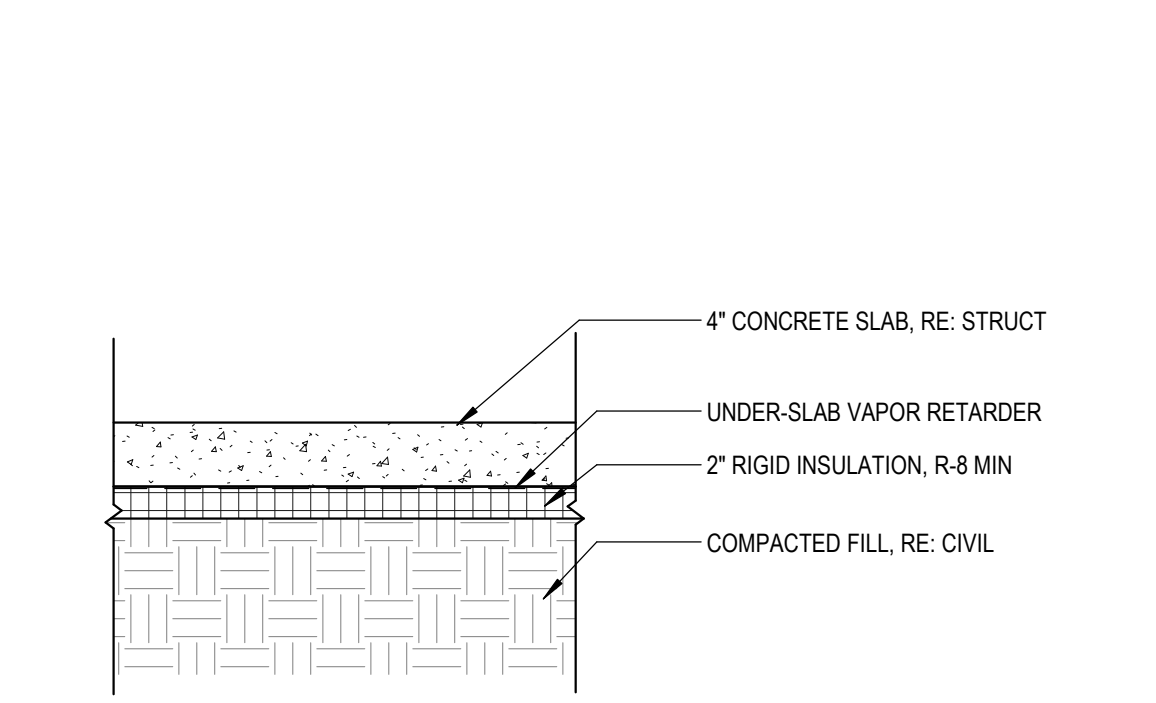
PARTITION TYPE ASSEMBLY CM(X)U			
ASSEMBLY SIZE (X)	ASSEMBLY RATING	U.L. LISTING	PARTITION WIDTH
8	U	U906	8"

PARTITION TYPE CM(X)U - 1 HR FIRE BARRIER  
1" = 1'-0"

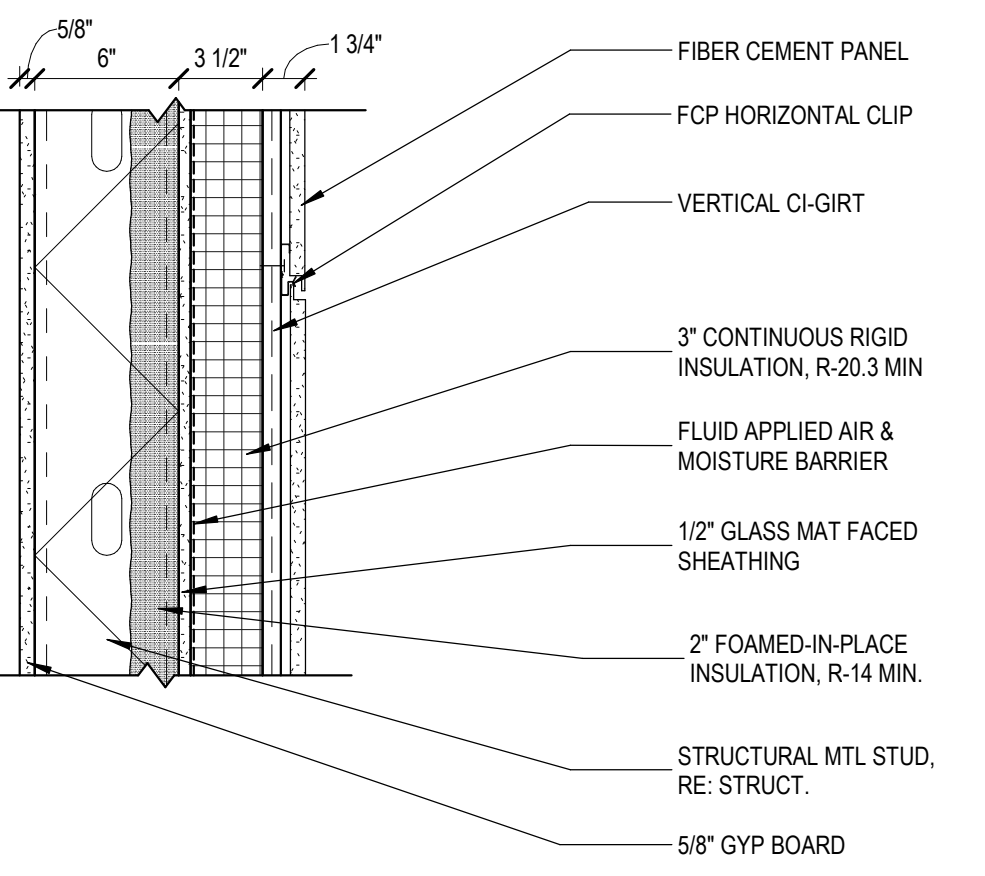


PARTITION TYPE ASSEMBLY CM(X)W			
ASSEMBLY SIZE (X)	ASSEMBLY RATING	U.L. LISTING	PARTITION WIDTH
8	W	U906	8"

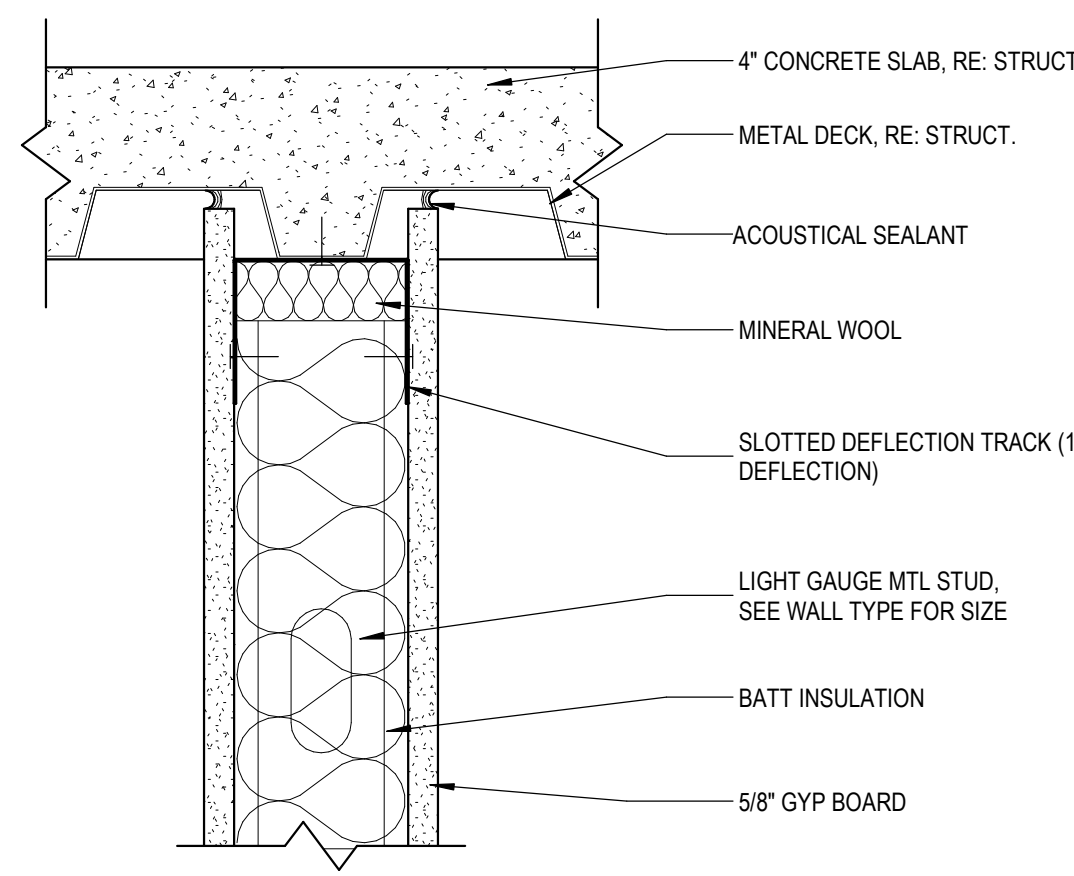
PARTITION TYPE CM(X)W - 1 HR SHAFT ENCLOSURE  
1" = 1'-0"



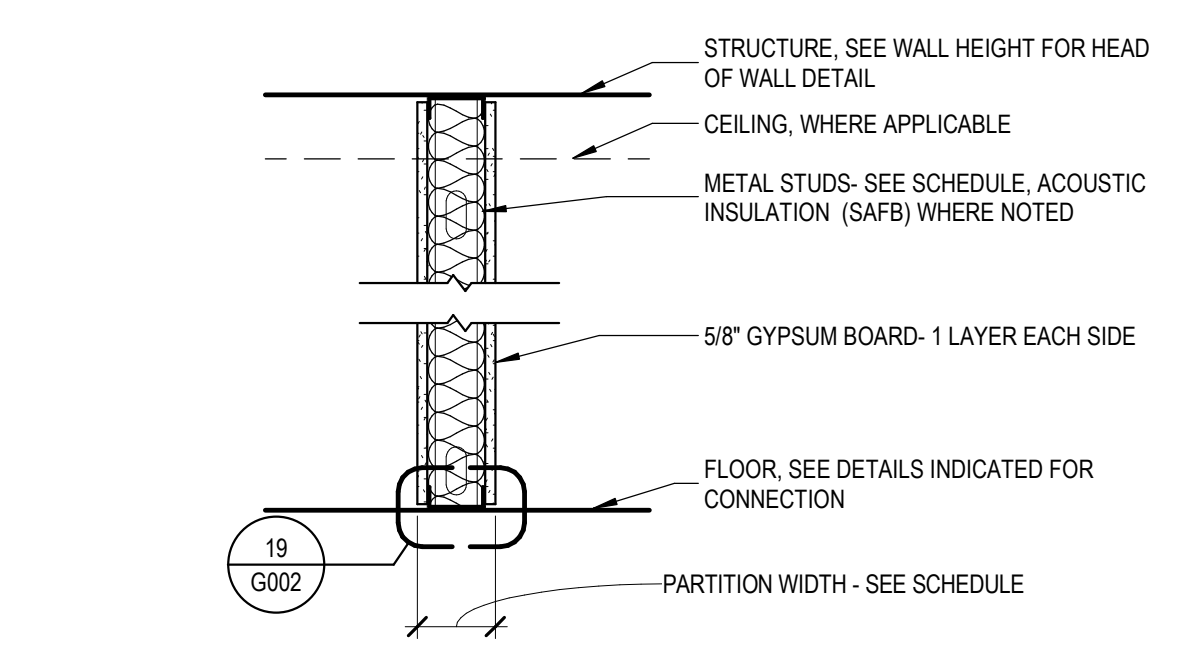
FLOOR TYPE - SLAB ON GRADE  
1" = 1'-0"



EXTERIOR WALL TYPE WMF6F  
1 1/2" = 1'-0"

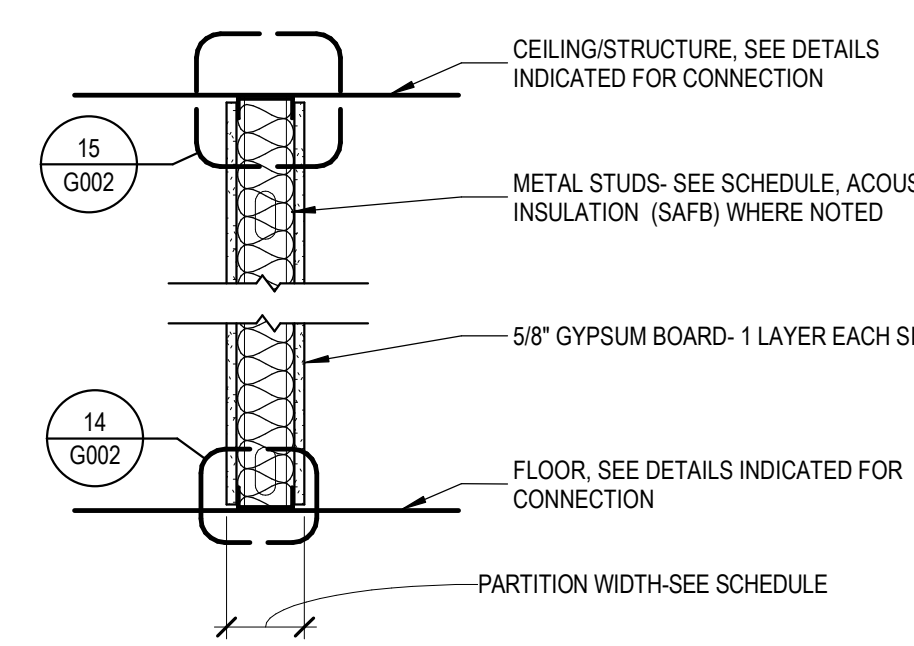


HEAD OF WALL - \"/>



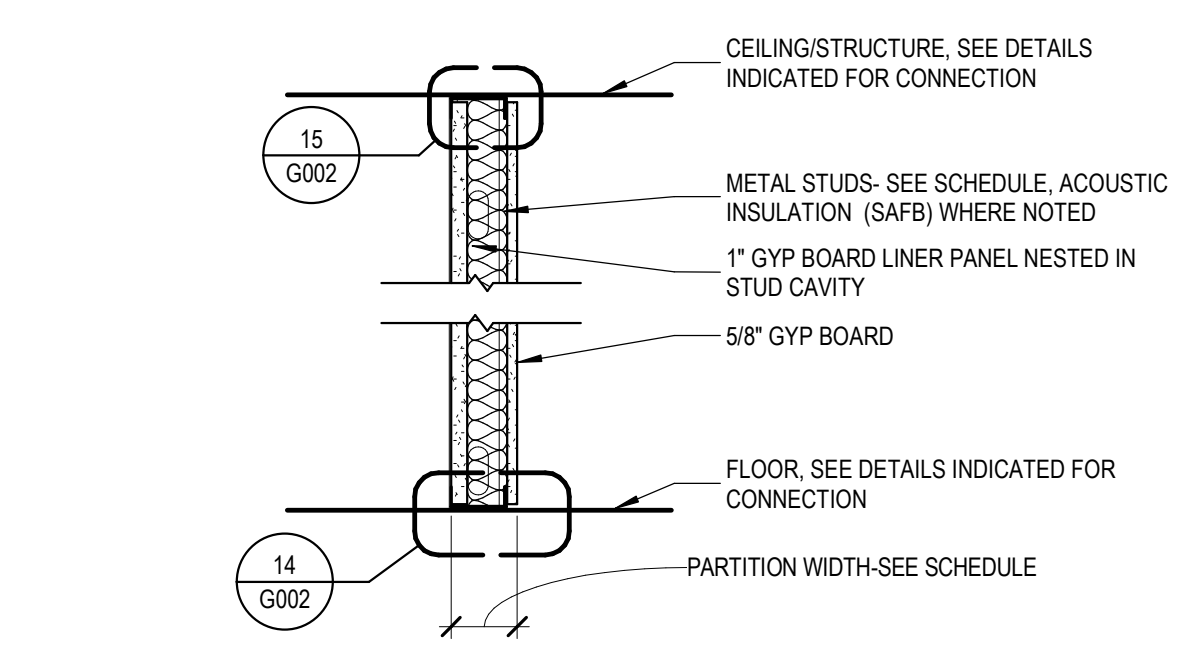
PARTITION TYPE ASSEMBLY MF(X)A			
ASSEMBLY SIZE (X)	ASSEMBLY RATING	U.L. LISTING	PARTITION WIDTH
3	A		4 7/8"
6	A		7 1/4"

PARTITION TYPE MF(X)A - NON-RATED PARTITION  
1" = 1'-0"



PARTITION TYPE ASSEMBLY MF(X)U			
ASSEMBLY SIZE (X)	ASSEMBLY RATING	U.L. LISTING	PARTITION WIDTH
3	U	U419	4 7/8"

PARTITION TYPE MF(X)U - 1 HOUR FIRE BARRIER  
1" = 1'-0"

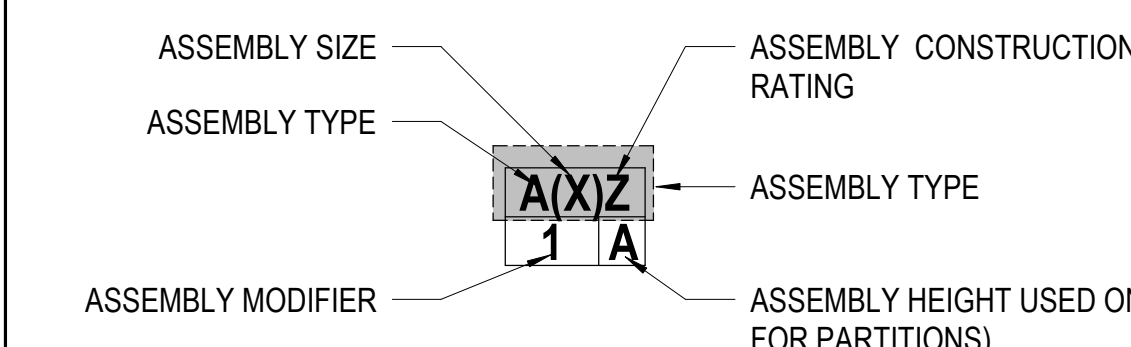


PARTITION TYPE ASSEMBLY S(X)W			
ASSEMBLY SIZE (X)	ASSEMBLY RATING	U.L. LISTING	PARTITION WIDTH
4	W	U415	4 5/8"
6	W	U415	6 5/8"

PARTITION TYPE S(X)W - 1 HR SHAFT ENCLOSURE  
1" = 1'-0"

ASSEMBLY TYPE AND WALL TAG LEGEND

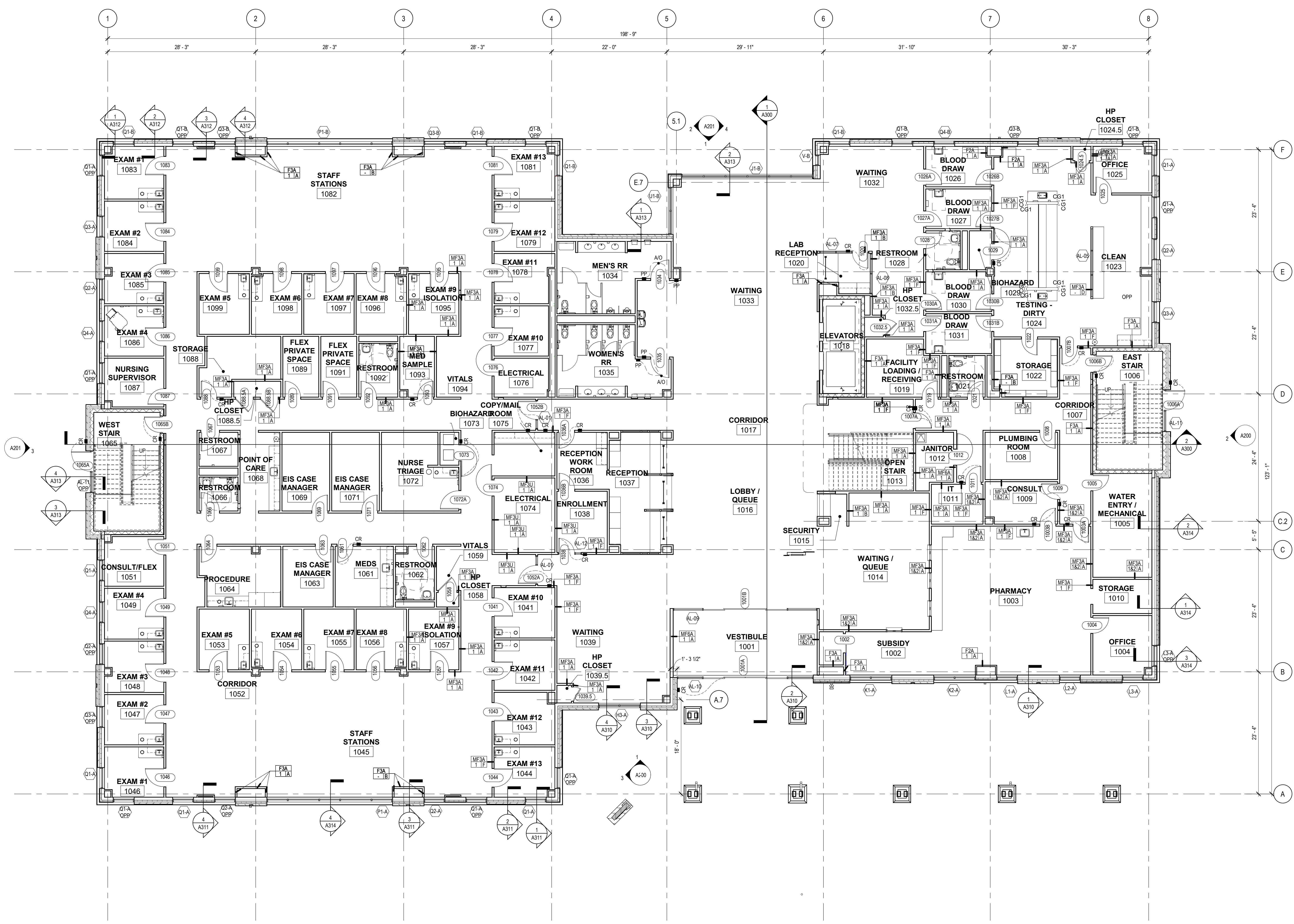
ASSEMBLY TYPE		ASSEMBLY SIZE		ASSEMBLY CONST. / RATING	
MARK	ASSEMBLY	MARK	MATERIAL SIZE	MARK	DESCRIPTION
A	CM-CMU	4	4\"/>		



ASSEMBLY MODIFIER

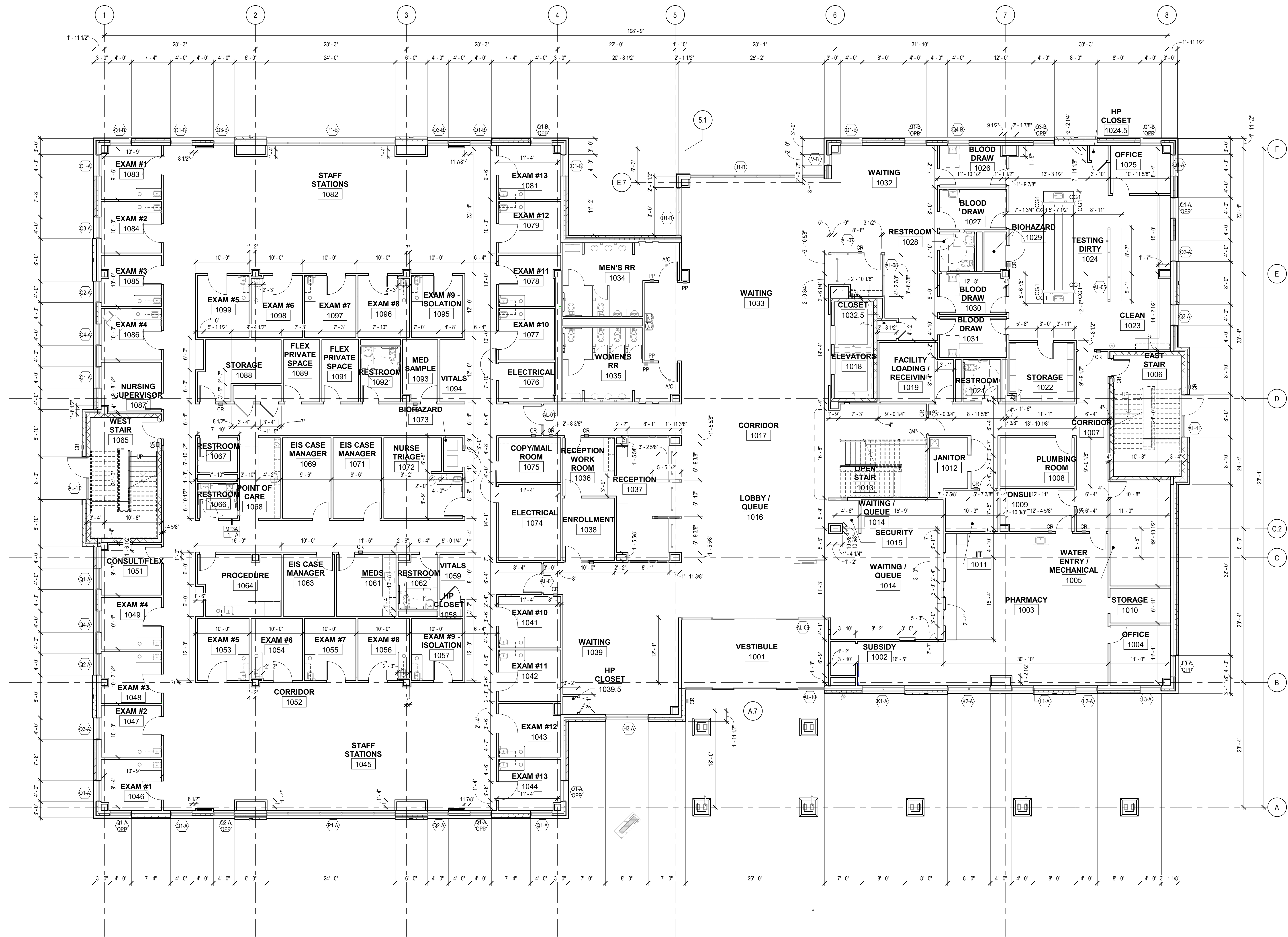
ASSEMBLY MODIFIER		ASSEMBLY HEIGHT (USED ONLY FOR WALLS)	
MARK	MODIFIER	MARK	HEIGHT
1	BATT INSULATION	A	BOTTOM OF DECK ABOVE (BC 705)
2	SECURITY SCREEN (OPPOSITE OF PHARMACY SIDE OF WALL)	B	6\"/>





1 FIRST FLOOR PLAN  
A110 1/8" = 1'-0"

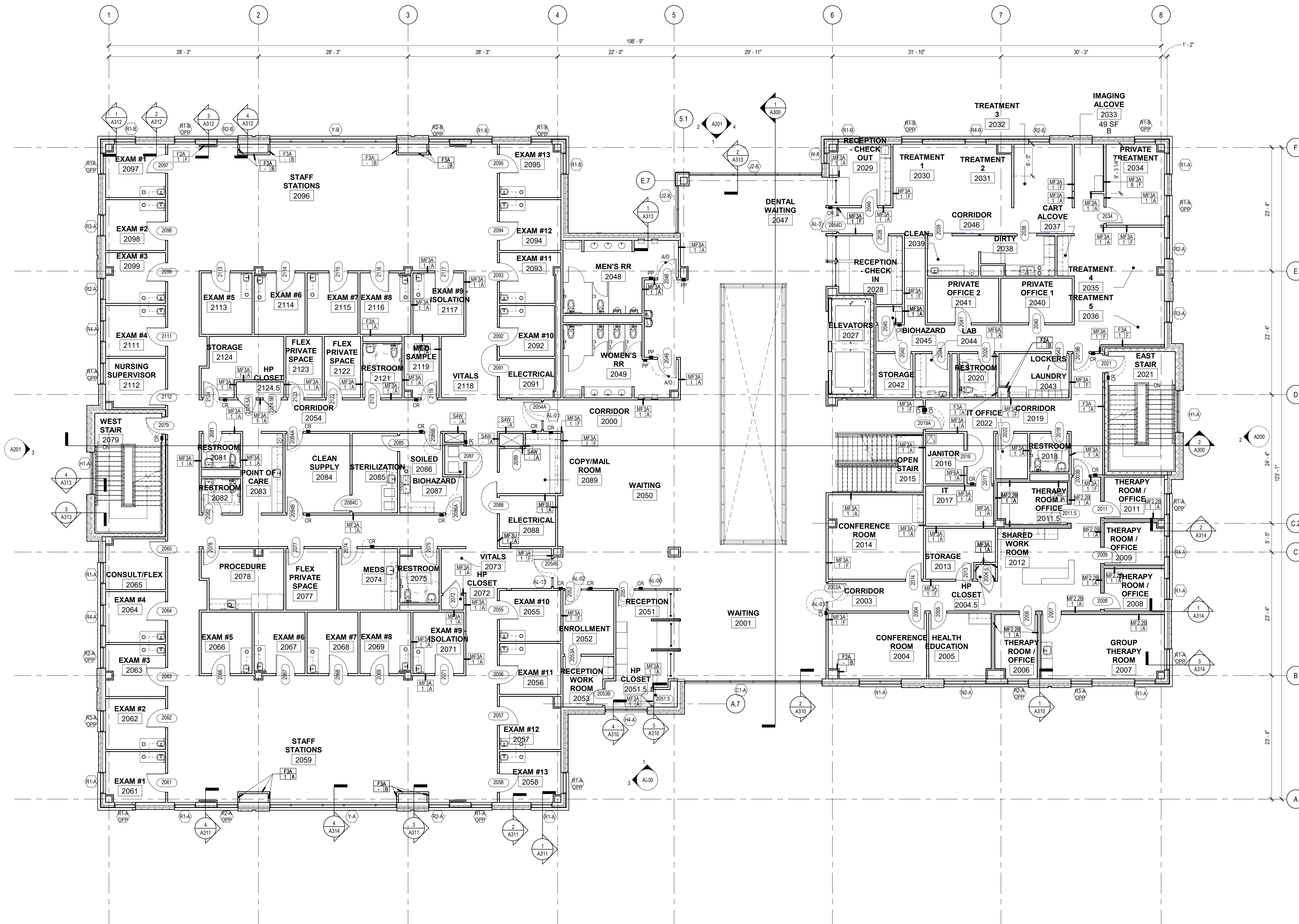




1 FIRST FLOOR PLAN  
A111 1/8" = 1'-0"

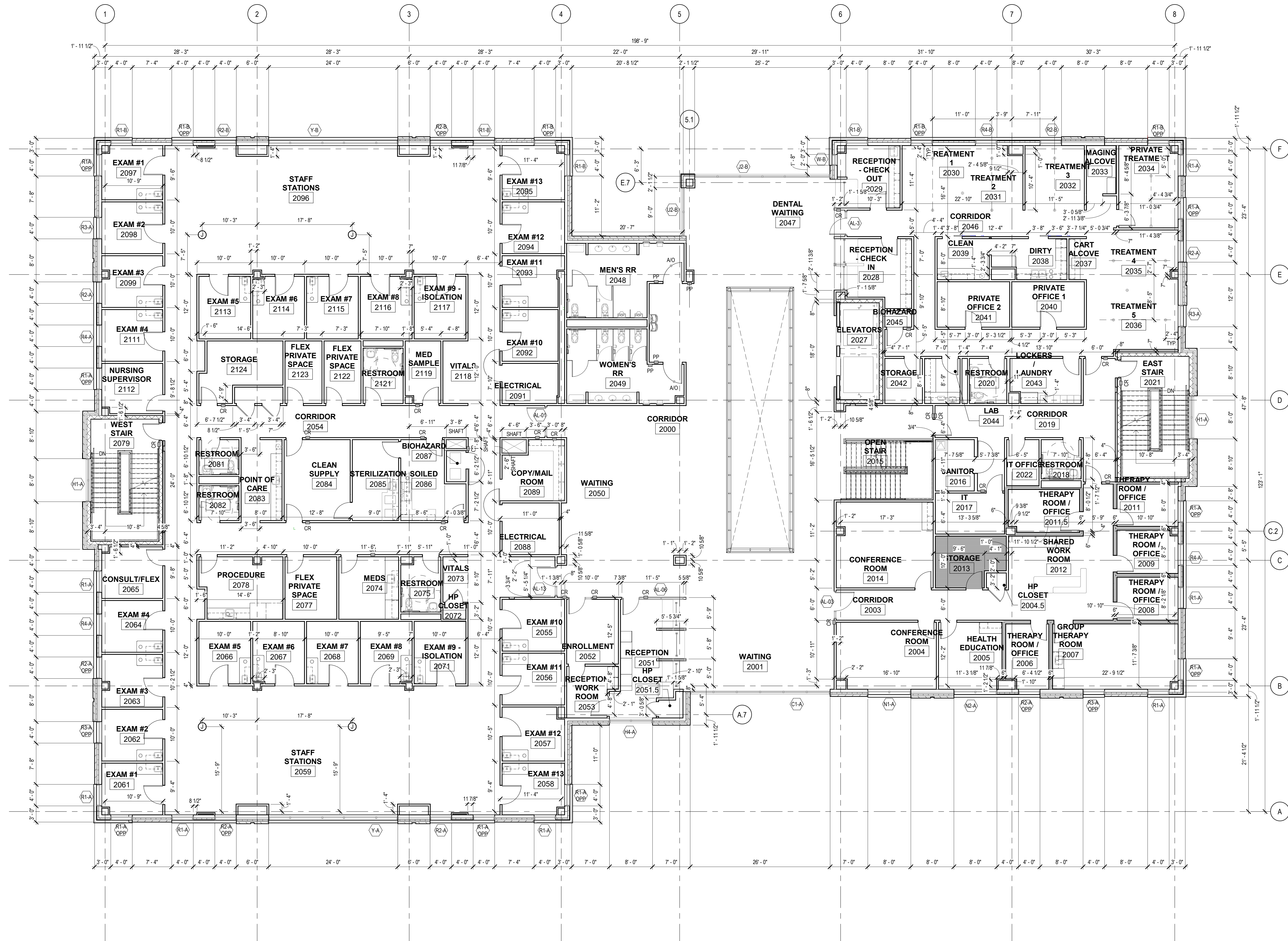
SHEET TITLE  
ISSUED FOR CONSTRUCTION  
SHEET NO.  
A111





1 SECOND FLOOR PLAN  
1/8" = 1'-0"



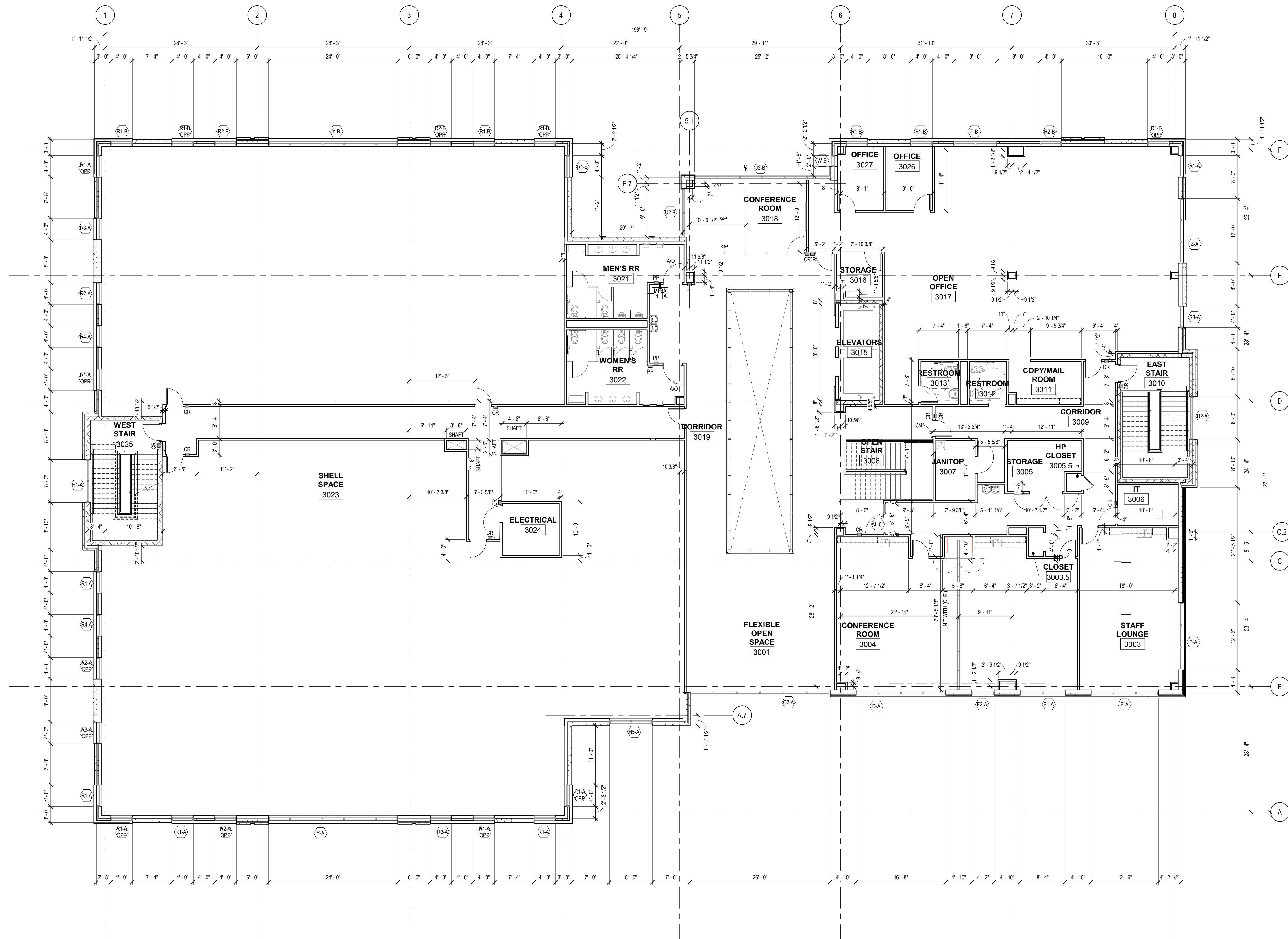


1 SECOND FLOOR DIMENSION PLAN  
A121 1/8" = 1'-0"

SHEET TITLE  
SECOND FLOOR  
DIMENSION  
PLAN





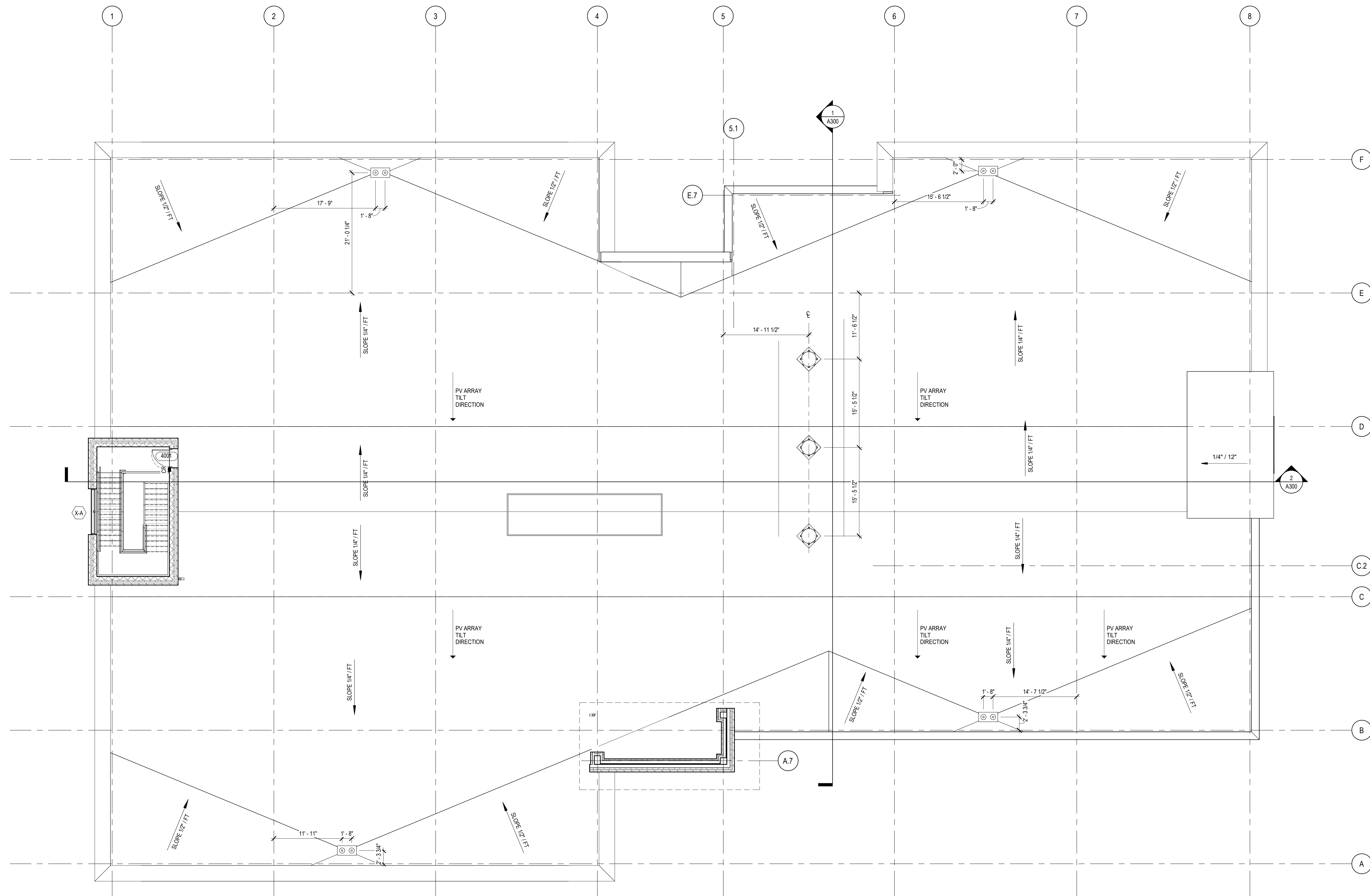



1 THIRD FLOOR DIMENSION PLAN  
A131 1/8" = 1'-0"

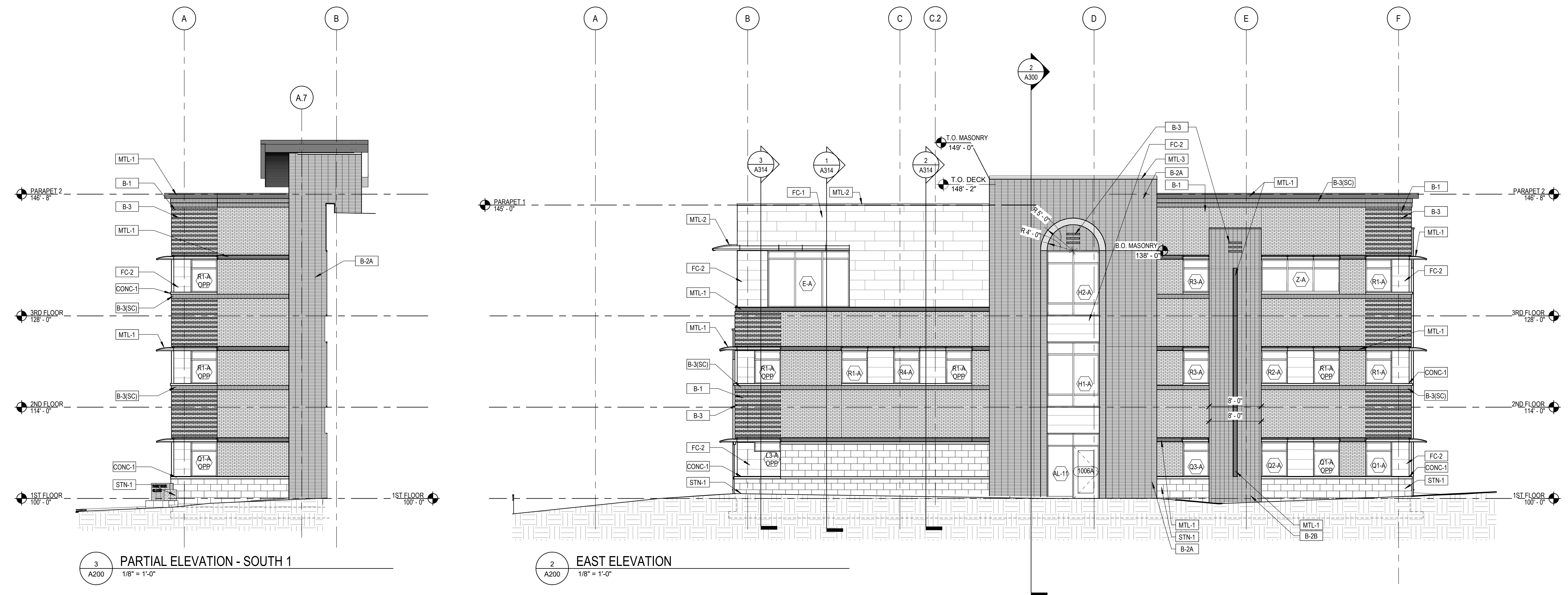
SHEET TITLE  
THIRD FLOOR  
DIMENSION  
PLAN

ISSUED FOR CONSTRUCTION  
A131





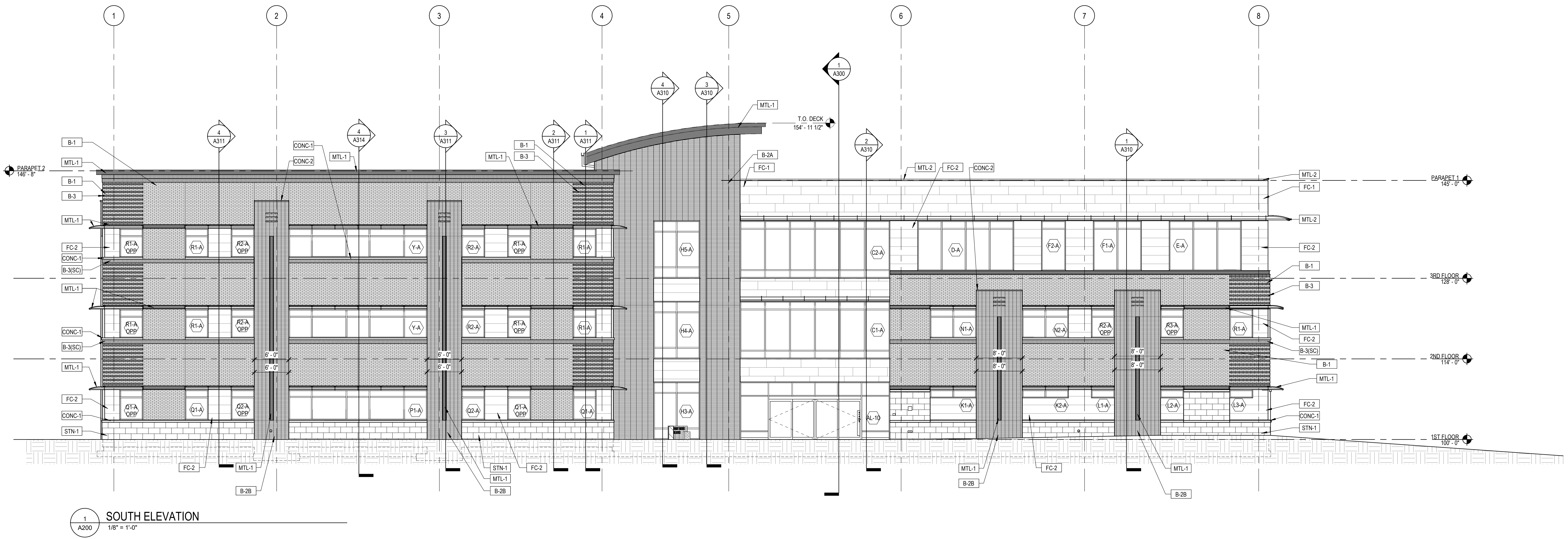
 NORTH  
A140  
ROOF PLAN  
1/8" = 1'-0"



**EXTERIOR FINISH LEGEND**

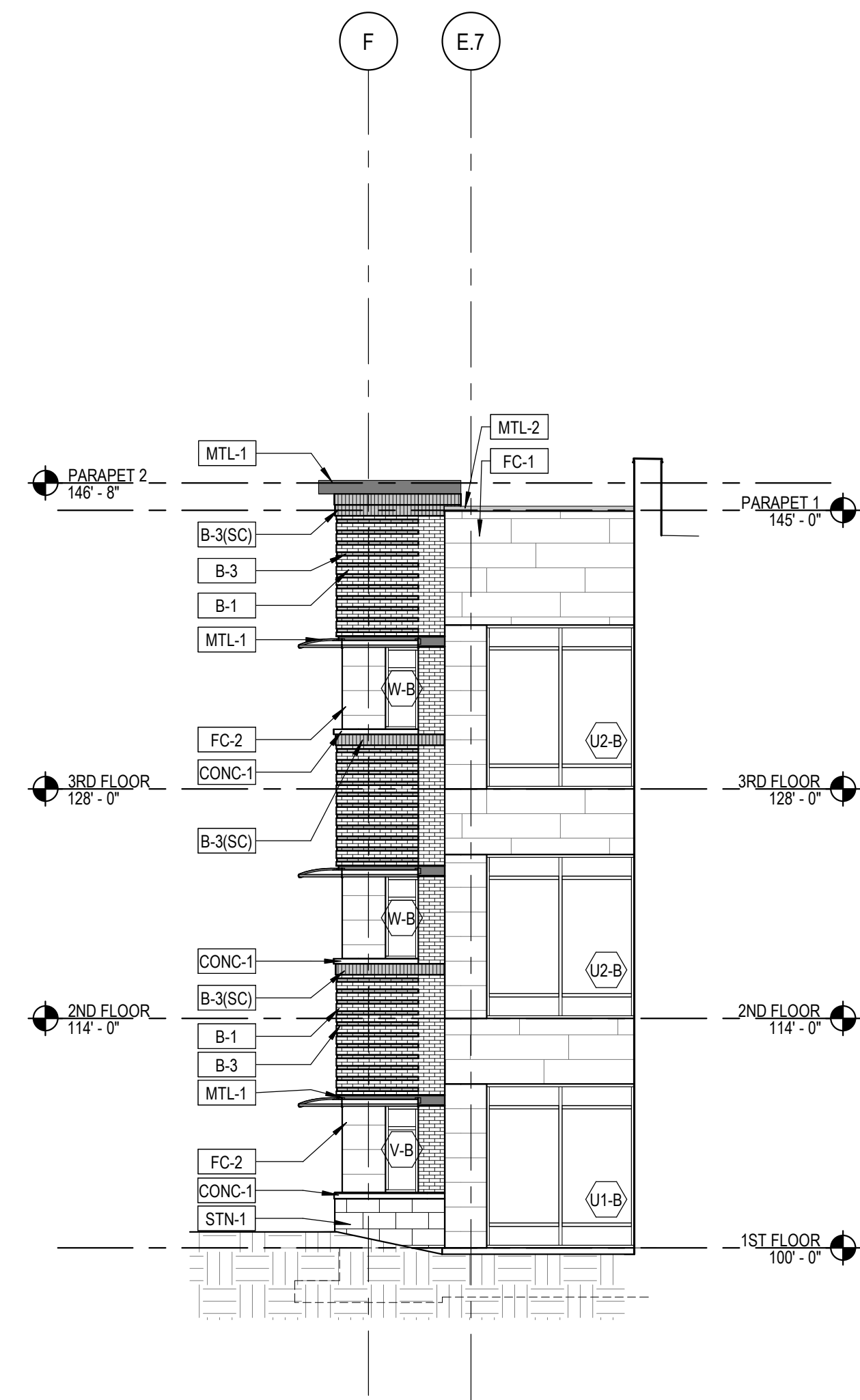
	<b>B-1: BRICK VENEER</b> MODULAR GRAIN RUNNING BOND 653 INCA (SUMMIT BRICK)		<b>MTL-1</b> METAL PANEL, HIGH PERFORMANCE COATING, OR FACTORY FINISH / PRE- FINISHED TO MATCH: BERRIDGE DARK BRONZE
	<b>B-2: BRICK VENEER</b> B-2A: NORMAN SMOOTH B-2B: MODULAR SMOOTH STACK BOND 751C MISTY (SUMMIT BRICK)		<b>MTL-2</b> PRE-FINISHED / FACTORY FINISH, OR HIGH PERFORMANCE COATING SW-7641 (COLONNADE GRAY)
	<b>B-3: BRICK VENEER</b> MODULAR GRAIN PENCIL COURSE 850-5 NUTMEG (SUMMIT BRICK)		<b>MTL-3</b> PRE-FINISHED COPING TO MATCH B-2
	<b>STN-1: MANUFACTURED STONE VENEER MASONRY</b> 12"x24" RUNNING BOND W/ 1/2" GROUT JOINTS SIERRA CUT - MONUMENT (EL DORADO)		<b>FG-1</b> FIBERGLASS WINDOW FRAME GREY'S PEAK (ALPEN WINDOWS)
	<b>FC-1: FIBER CEMENT PANEL</b> ILLUMINATION STAGGERED 1/4 SW-7641 (COLONNADE GRAY) NICHHA AWP-1818		<b>VISION GLAZING</b> SEE WINDOW ELEVATIONS FOR TYPE
	<b>FC-2: FIBER CEMENT PANEL</b> ILLUMINATION STACKED PATTERN SW-7641 (COLONNADE GRAY) NICHHA AWP-1818		<b>CONC-1 / CONC-2</b> PRECAST CONCRETE SLL/CAP FINISH TBD

**KEYNOTE LEGEND**

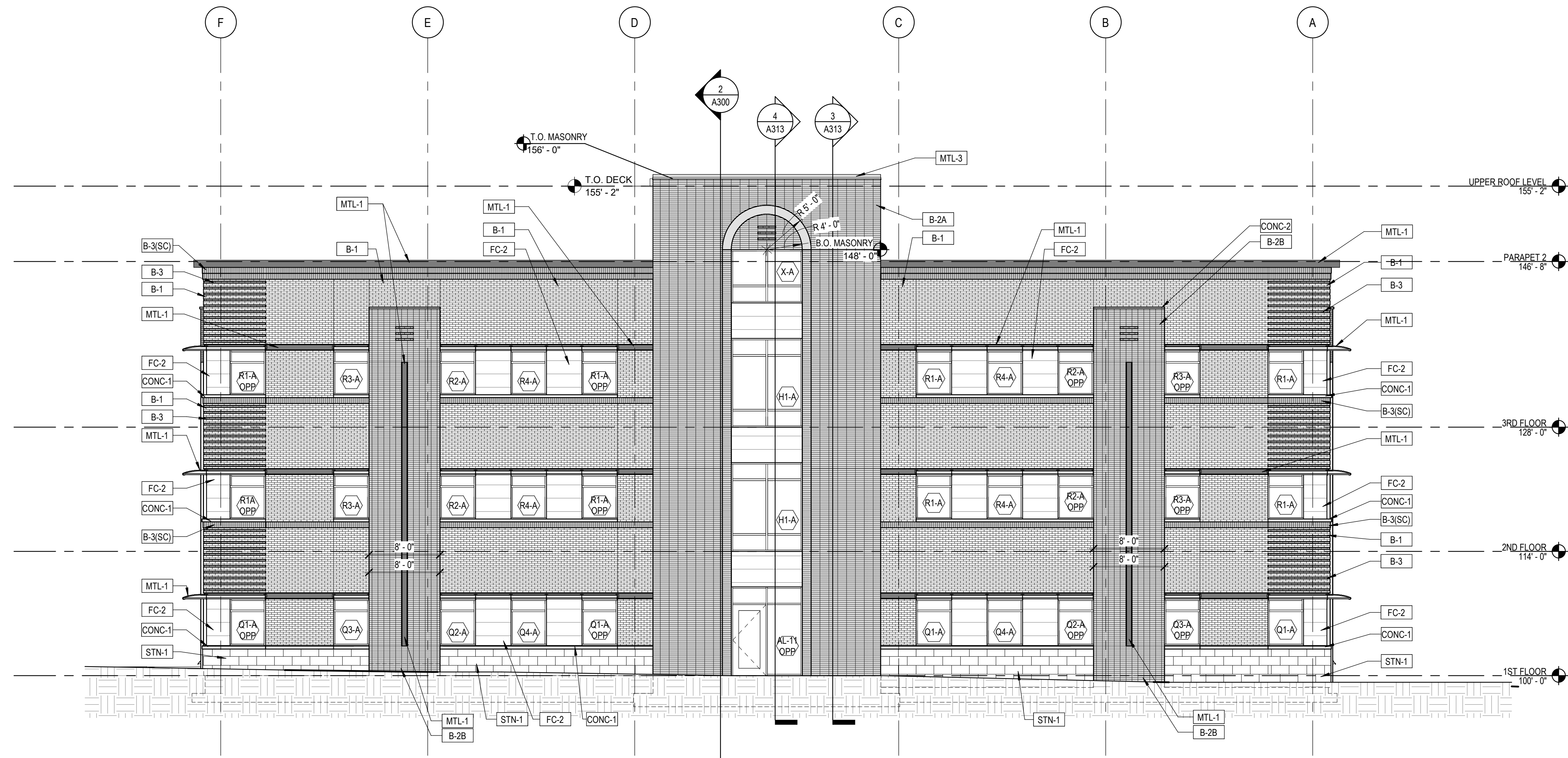


SHEET TITLE  
**EXTERIOR  
 ELEVATIONS**





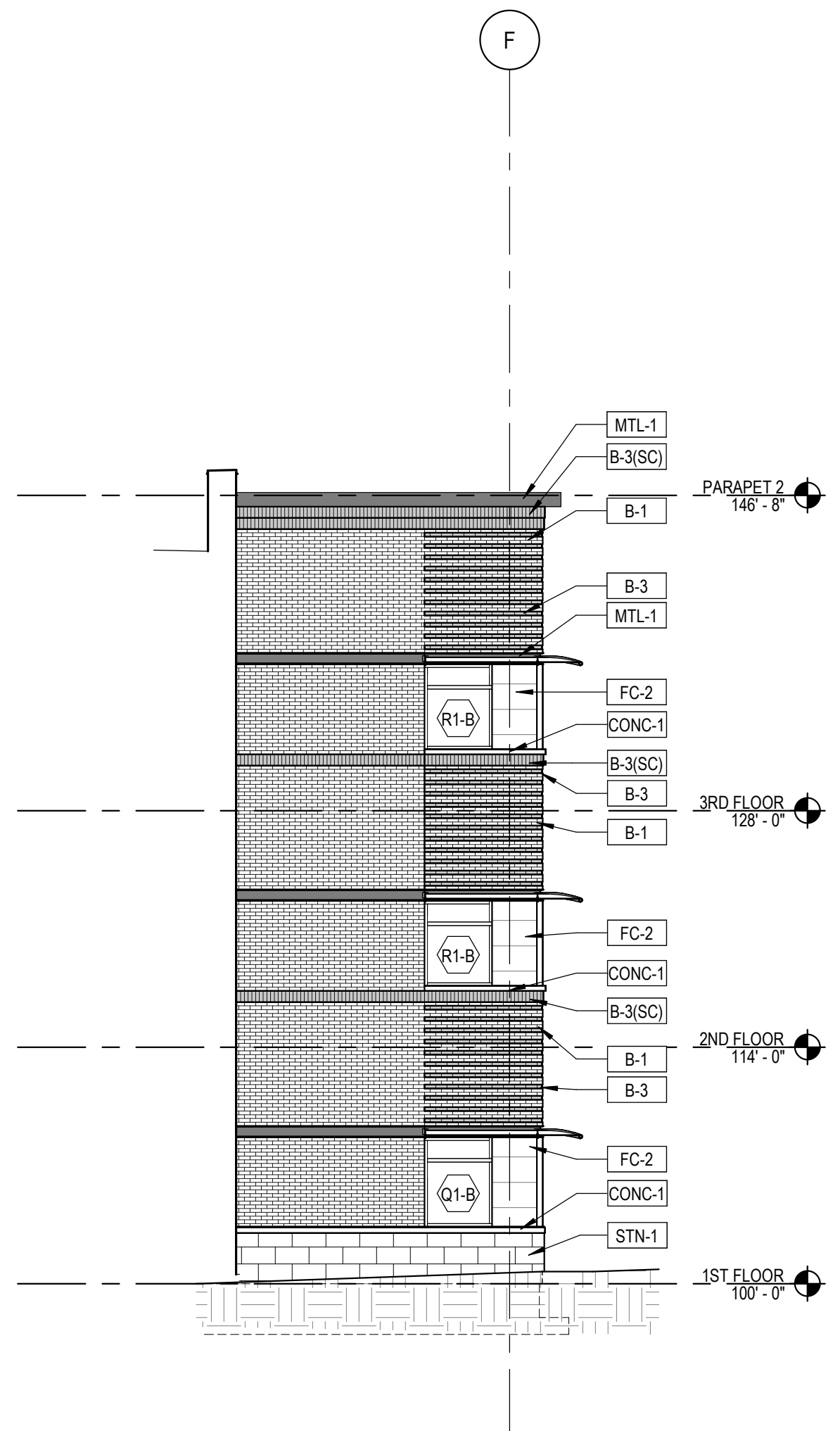
4 PARTIAL ELEVATION - NORTH 2  
A201 1/8" = 1'-0"



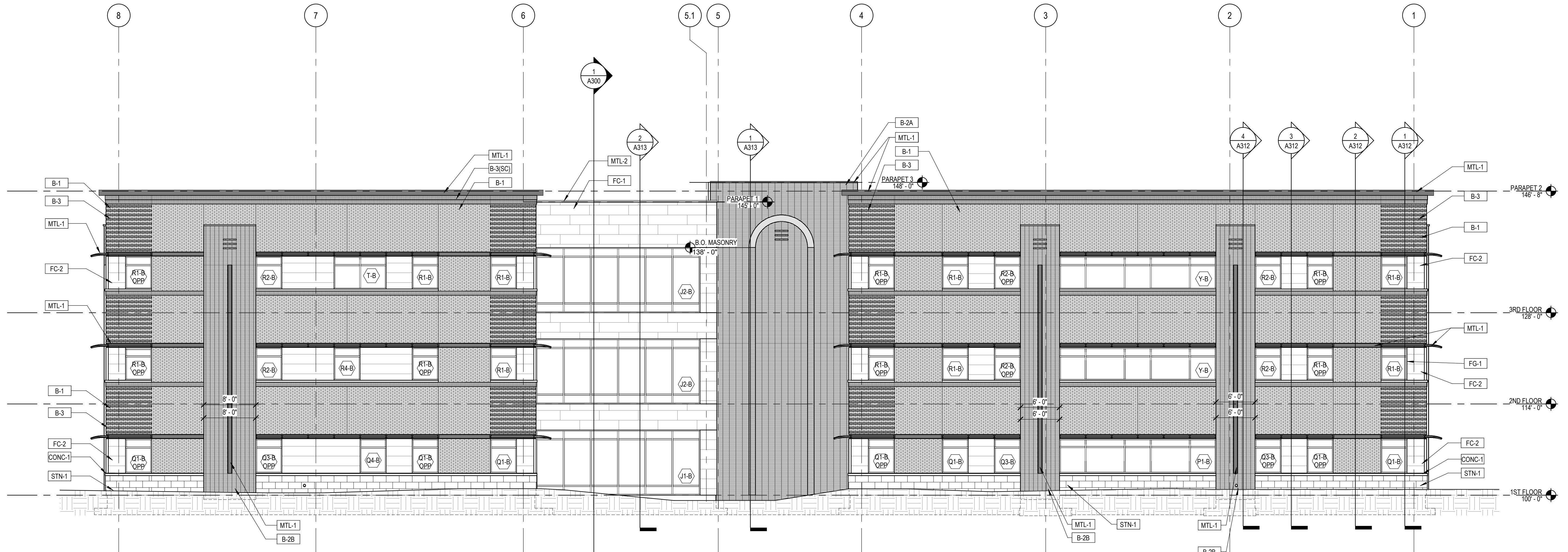
3 WEST ELEVATION  
A201 1/8" = 1'-0"

EXTERIOR FINISH LEGEND	
	<b>B-1: BRICK VENEER</b> MODULAR GRAIN RUNNING BOND 653 INCA (SUMMIT BRICK)
	<b>B-2: BRICK VENEER</b> B-2A: NORMAN SMOOTH B-2B: MODULAR SMOOTH STACK BOND 751C MISTY (SUMMIT BRICK)
	<b>B-3: BRICK VENEER</b> MODULAR GRAIN PENCIL COURSE 650-5 NUTMEG (SUMMIT BRICK)
	<b>STN-1: MANUFACTURED STONE VENEER MASONRY</b> 12"x24" RUNNING BOND W/ 1/2" GROUT JOINTS SIERRA CUT - MONUMENT (EL DORADO)
	<b>FC-1: FIBER CEMENT PANEL ILLUMINATION</b> STAGGERED 1/4 SW-7641 (COLONNADE GRAY) NICHHA AWP-1818
	<b>FC-2: FIBER CEMENT PANEL ILLUMINATION</b> STACKED PATTERN SW-7641 (COLONNADE GRAY) NICHHA AWP-1818
	<b>MTL-1: METAL PANEL, HIGH PERFORMANCE COATING, OR FACTORY FINISH / PRE- FINISHED TO MATCH - BERRIDGE DARK BRONZE</b>
	<b>MTL-2: PRE-FINISHED / FACTORY FINISH, OR HIGH PERFORMANCE COATING SW-7641 (COLONNADE GRAY)</b>
	<b>MTL-3: PRE-FINISHED COPING TO MATCH B-2</b>
	<b>FG-1: FIBERGLASS WINDOW FRAME GREY'S PEAK (ALPEN WINDOWS)</b>
	<b>VISION GLAZING</b> SEE WINDOW ELEVATIONS FOR TYPE
	<b>CONC-1 / CONC-2 PRECAST CONCRETE SILLCAP FINISH TBD</b>

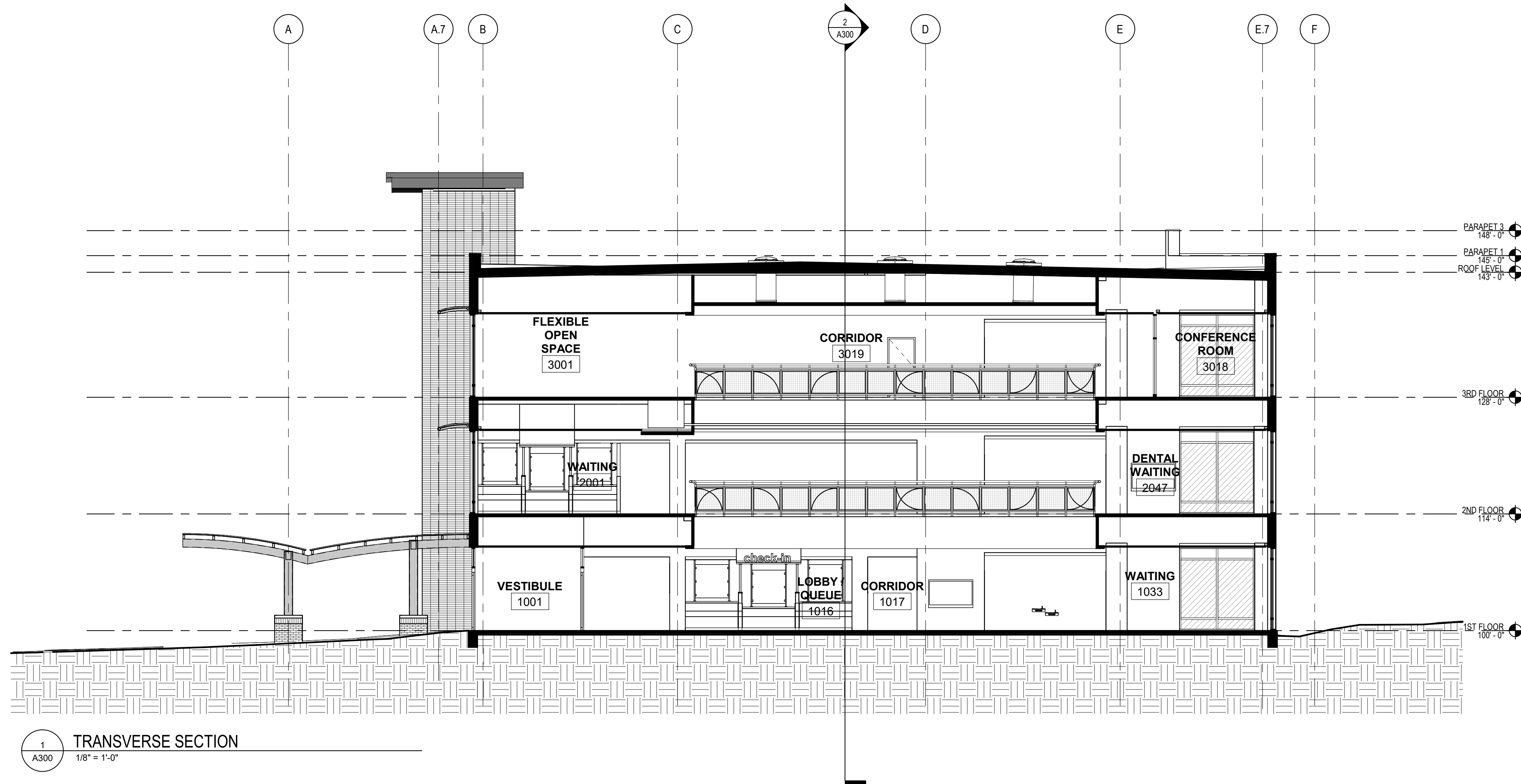
KEYNOTE LEGEND



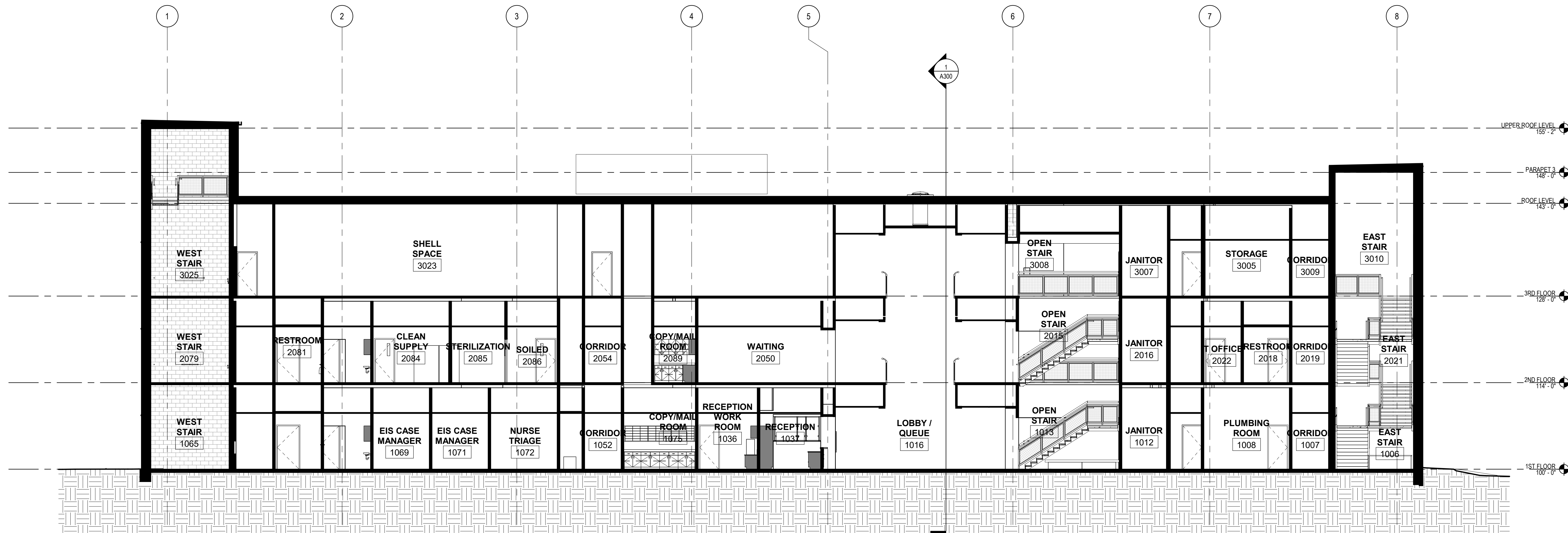
2 PARTIAL ELEVATION - NORTH 1  
A201 1/8" = 1'-0"



1 NORTH ELEVATION  
A201 1/8" = 1'-0"



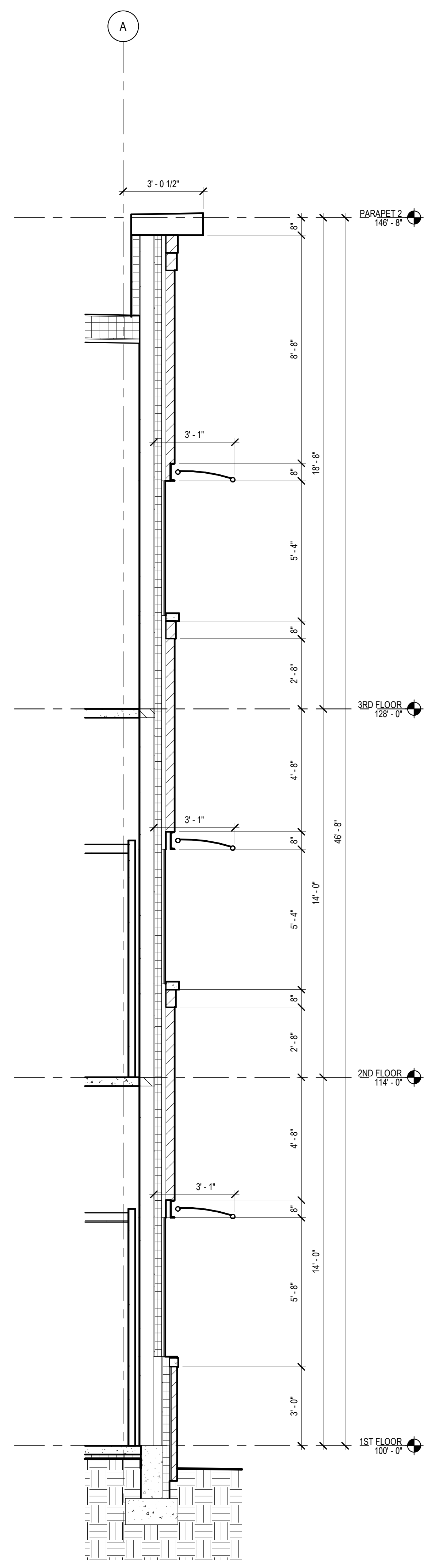
1  
A300  
TRANSVERSE SECTION  
1/8" = 1'-0"



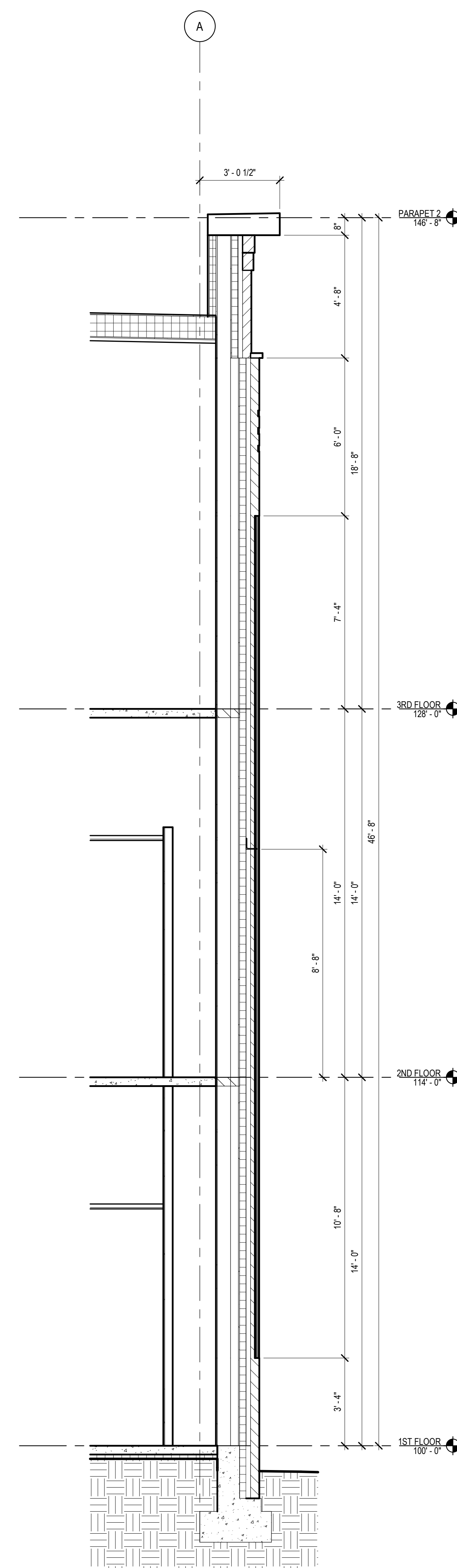
2  
A300  
LONGITUDINAL SECTION  
1/8" = 1'-0"



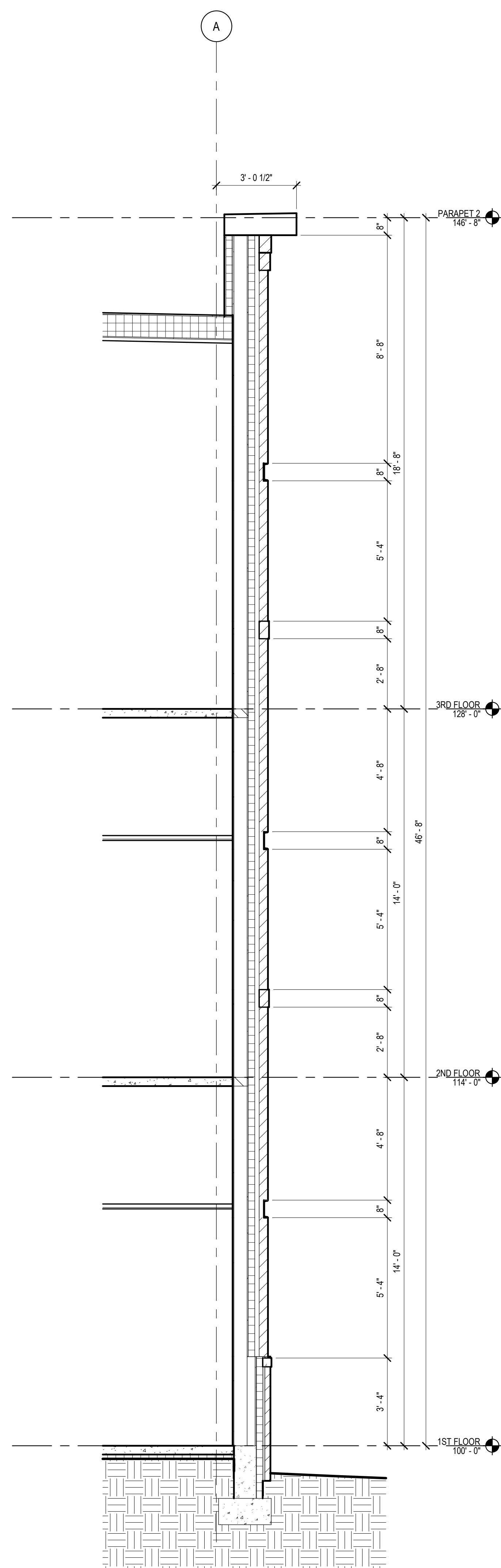




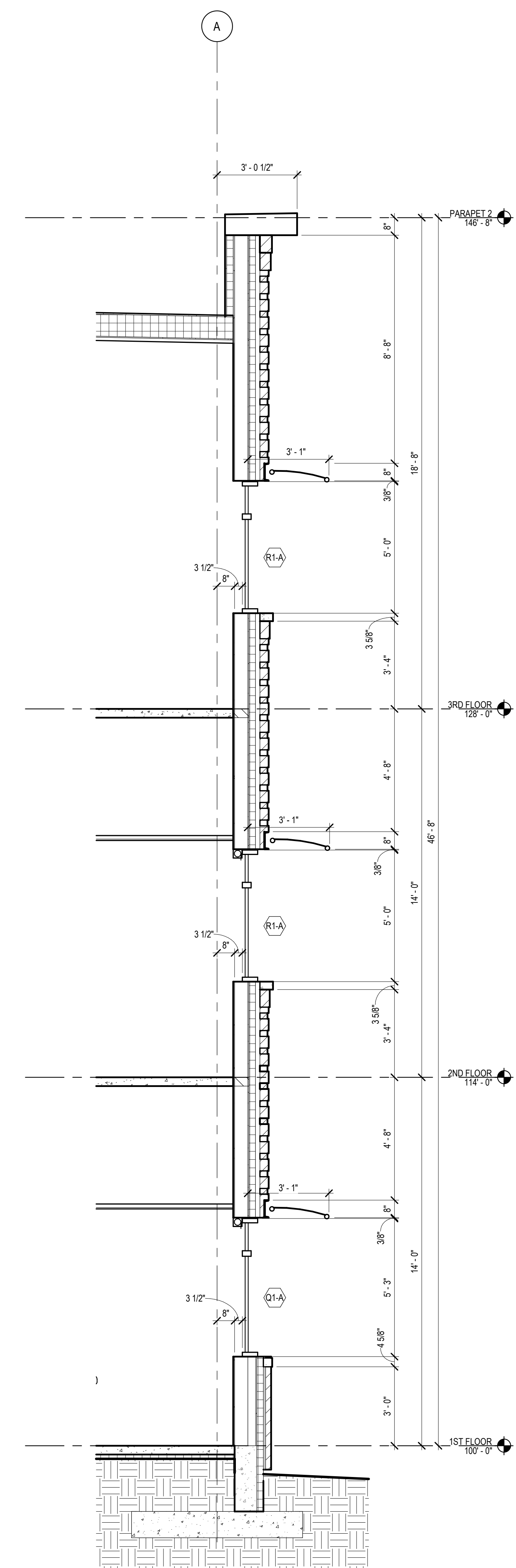
4 N-S WALL SECTION  
3/8" = 1'-0"



3 N-S WALL SECTION  
3/8" = 1'-0"

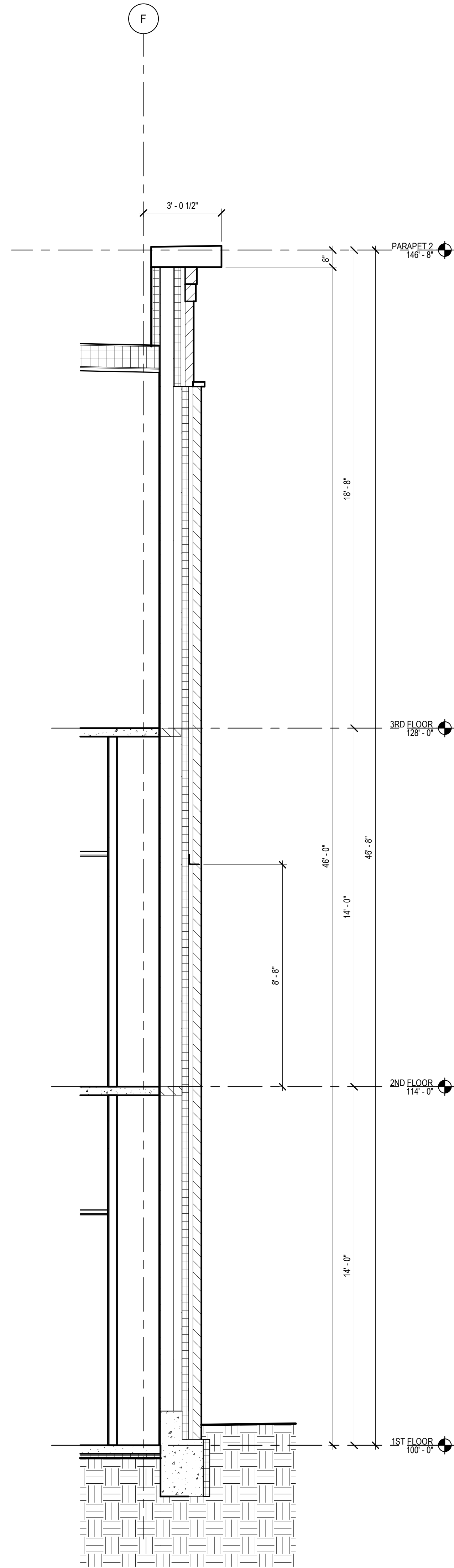


2 N-S WALL SECTION  
3/8" = 1'-0"

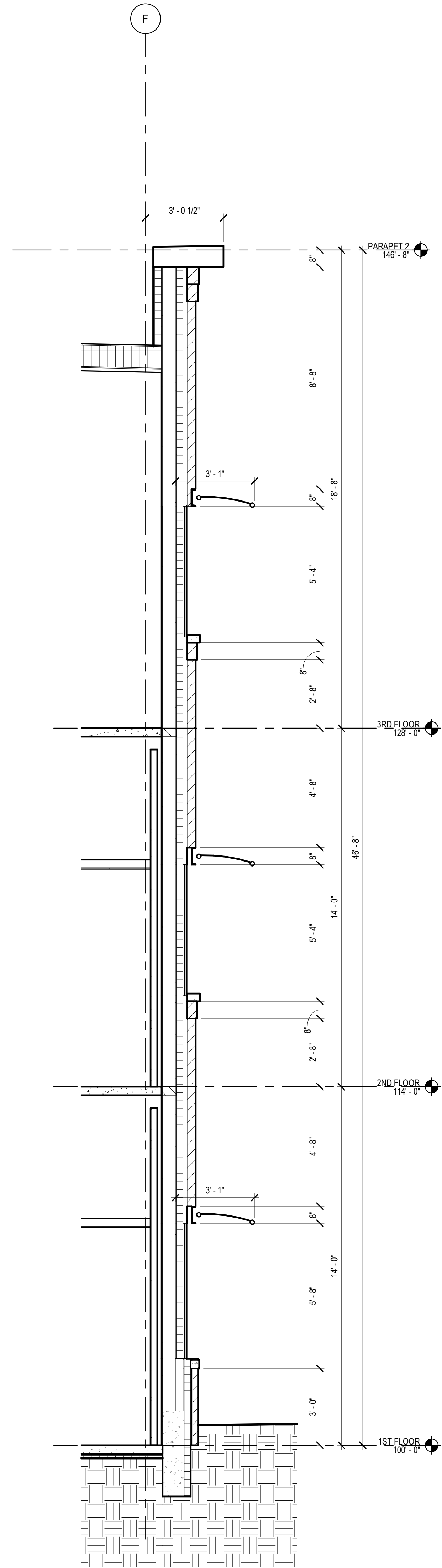


1 N-S WALL SECTION  
3/8" = 1'-0"

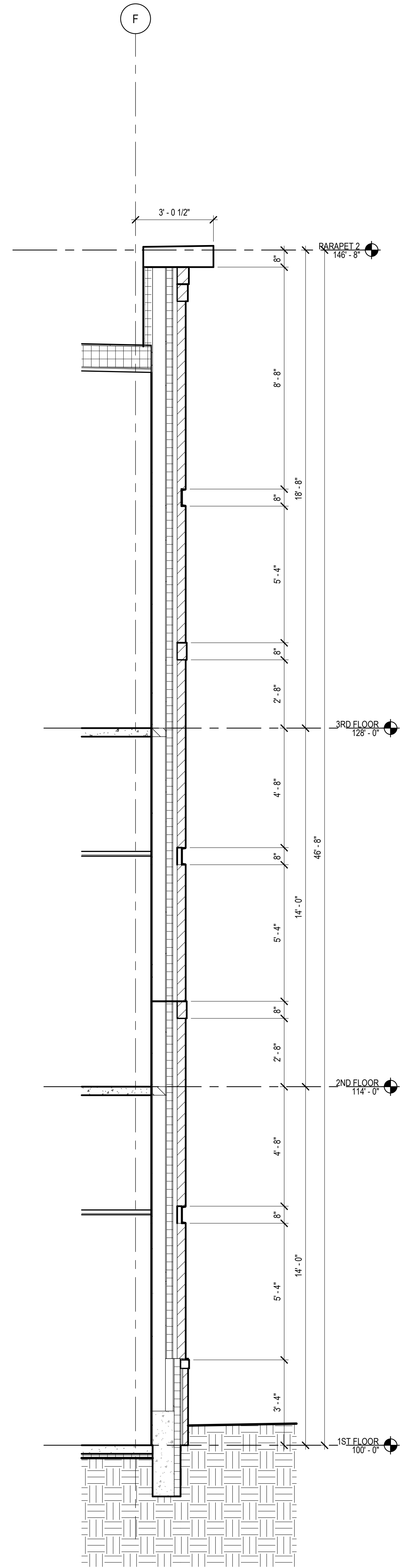




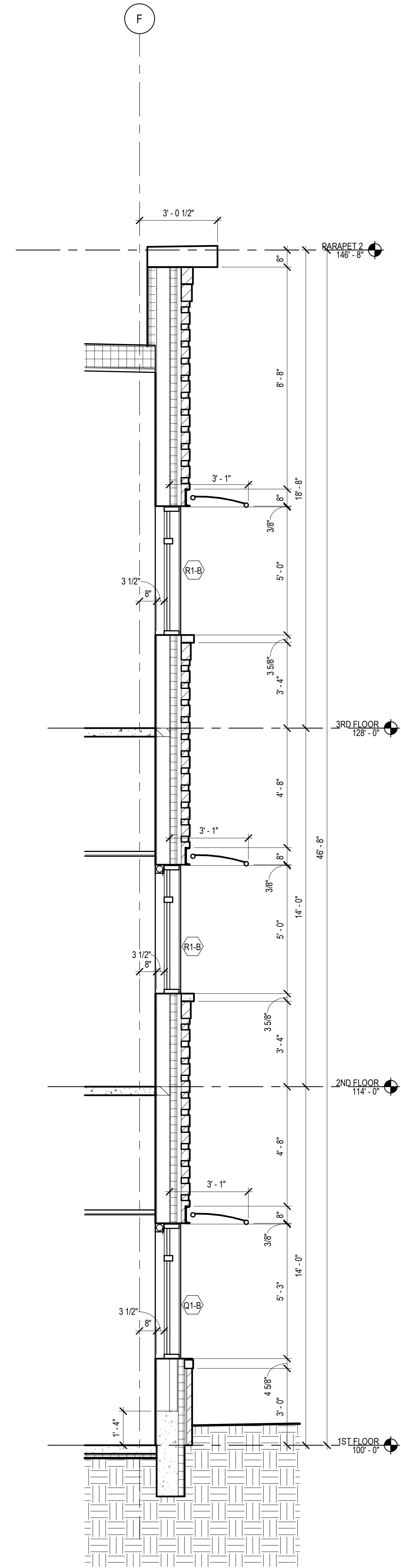
4 N-S WALL SECTION  
3/8" = 1'-0"



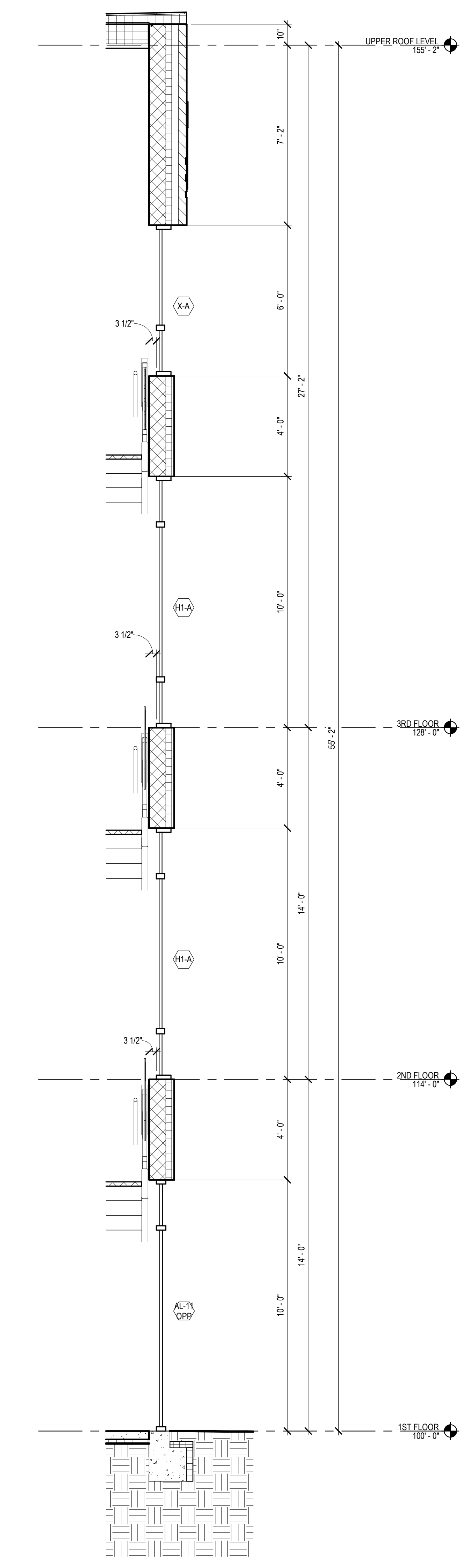
3 N-S WALL SECTION  
3/8" = 1'-0"



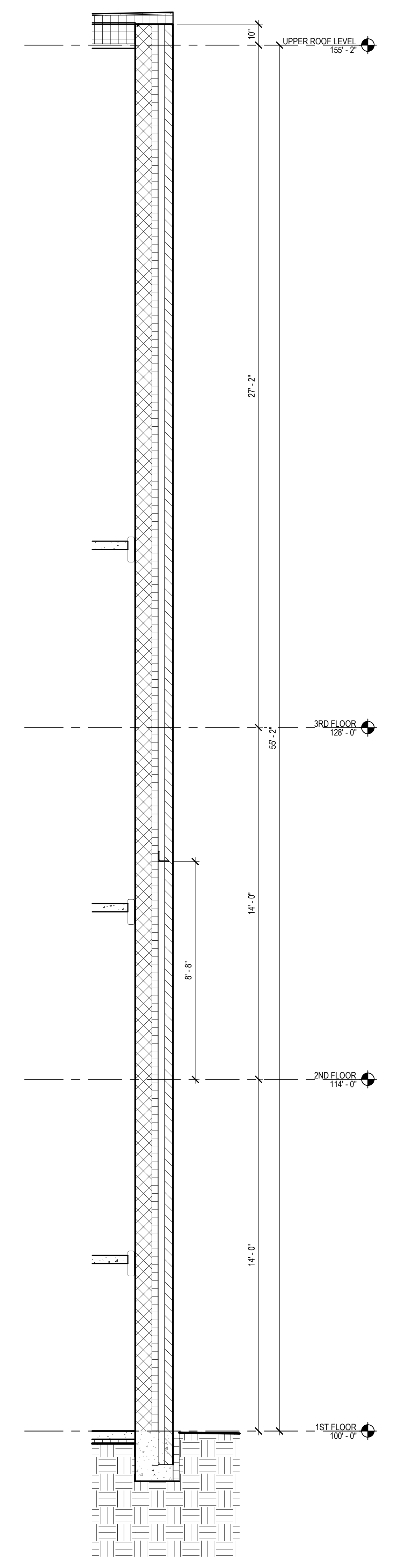
2 N-S WALL SECTION  
3/8" = 1'-0"



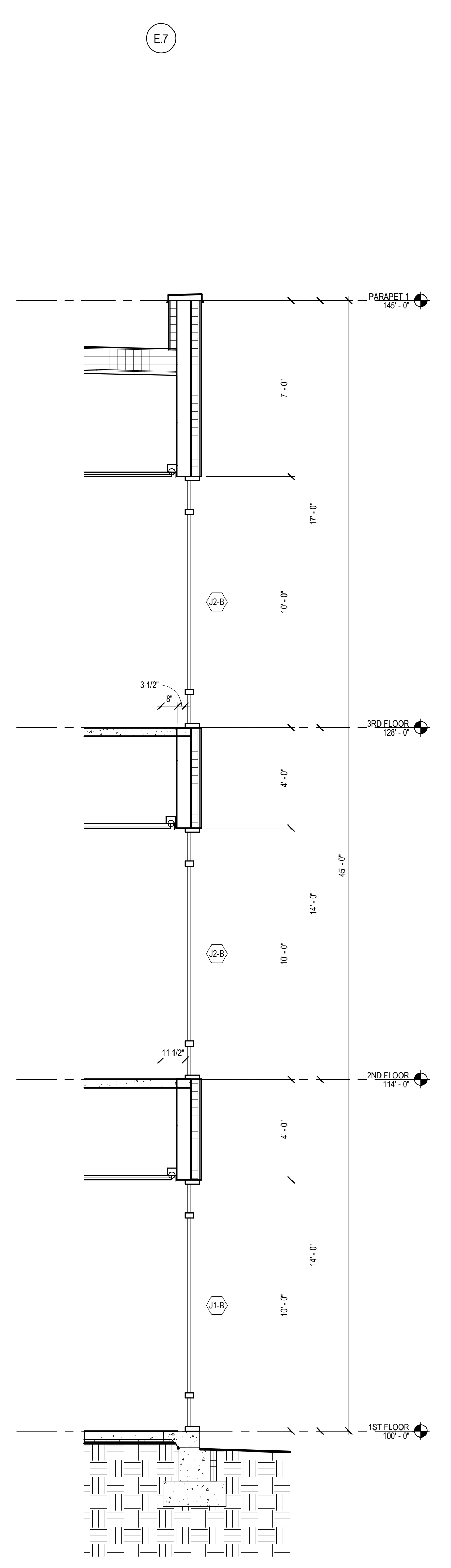
1 N-S WALL SECTION  
3/8" = 1'-0"



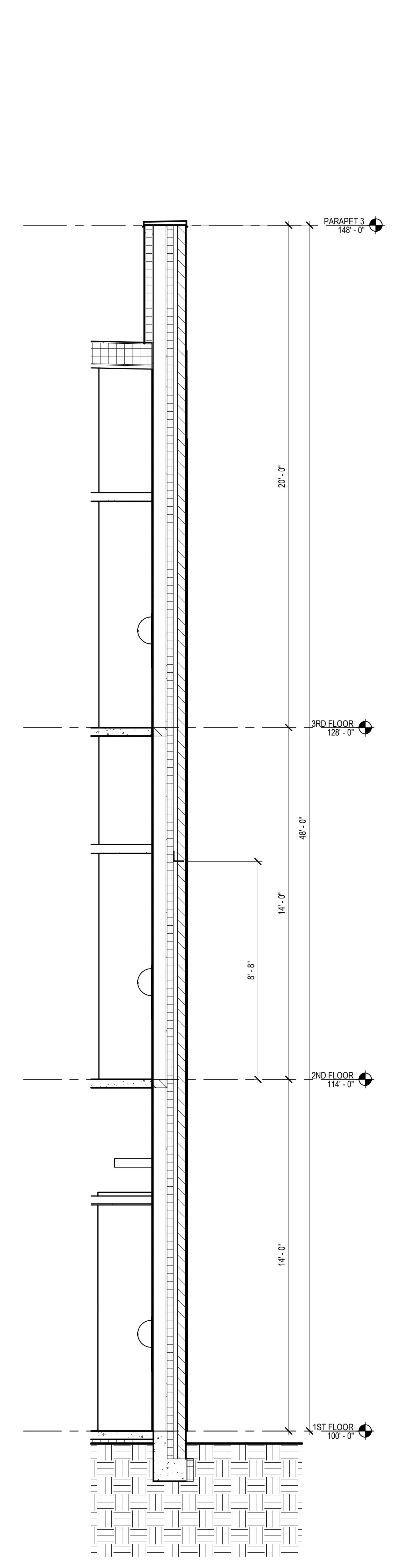
4 E-W WALL SECTION  
3/8" = 1'-0"



3 E-W WALL SECTION  
3/8" = 1'-0"

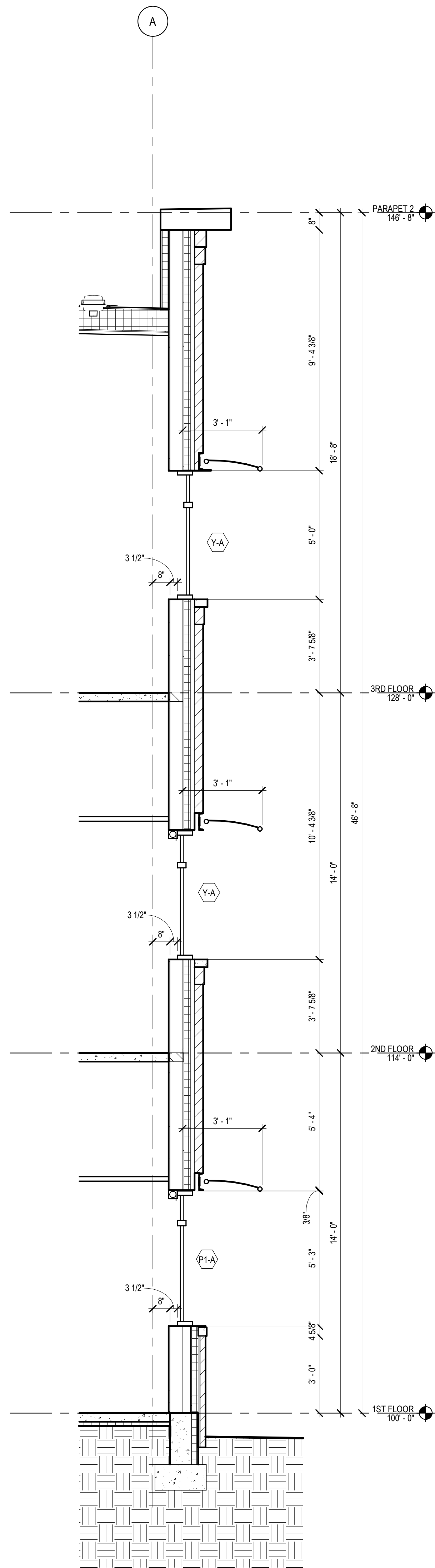


2 N-S WALL SECTION  
3/8" = 1'-0"

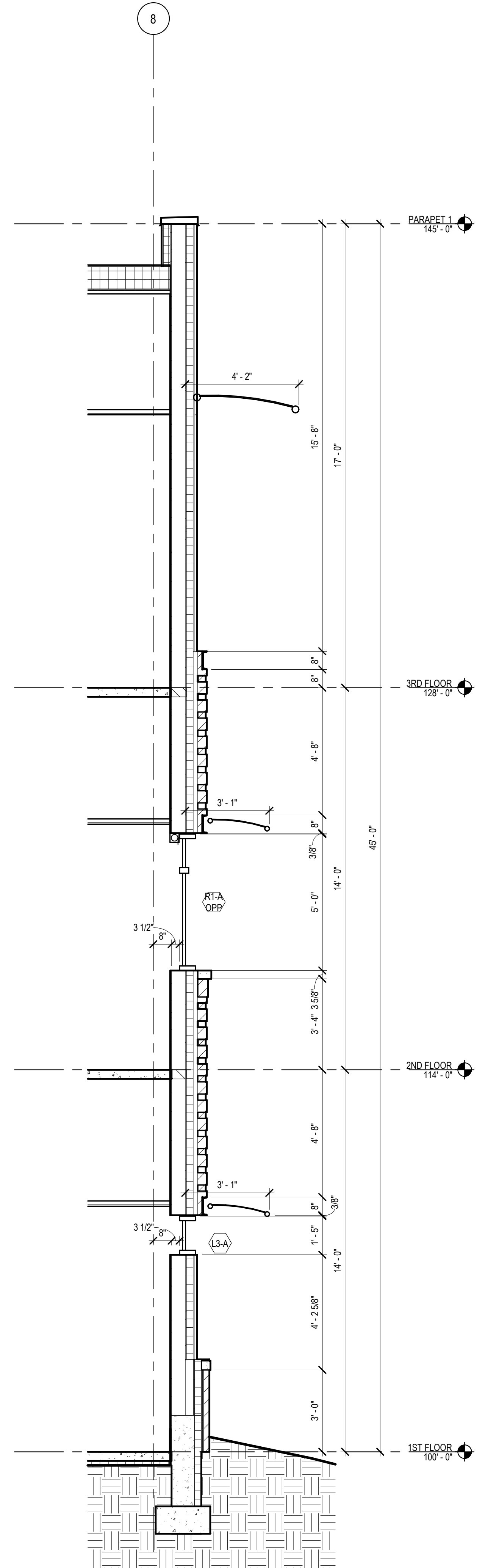


1 N-S WALL SECTION  
3/8" = 1'-0"

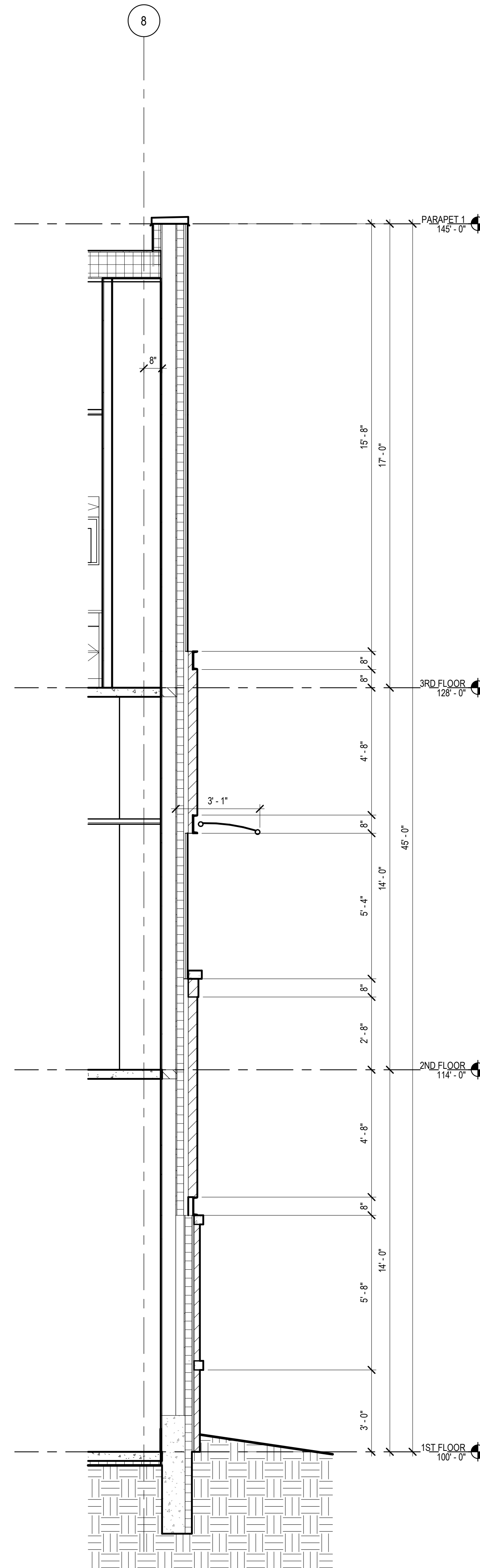




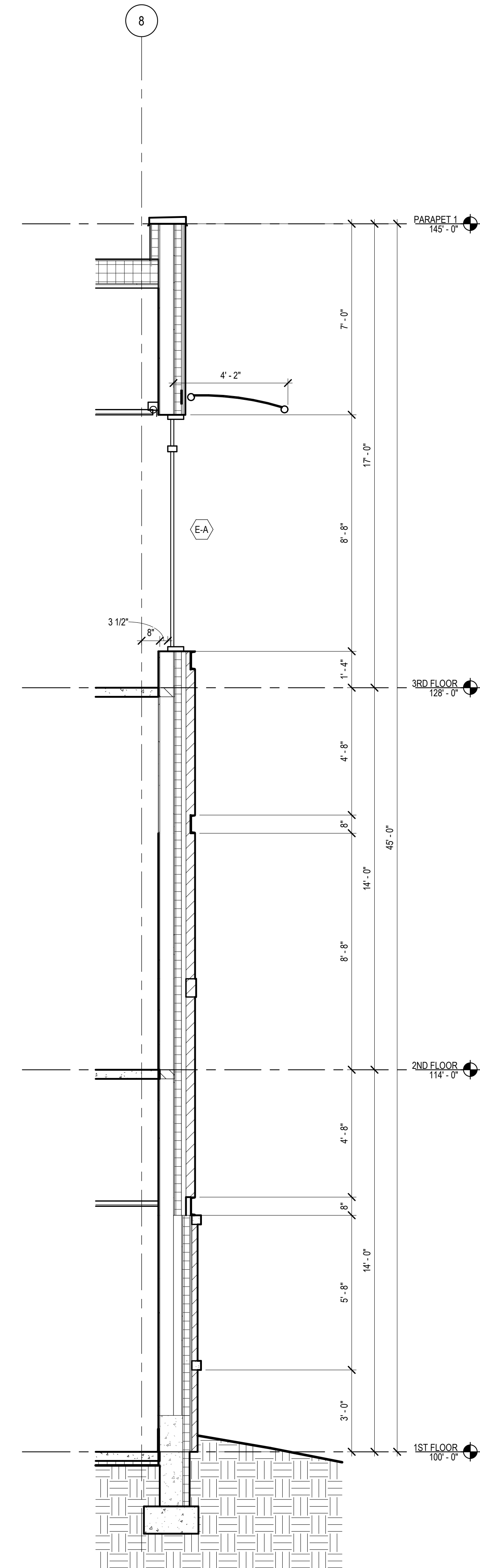
4 N-S WALL SECTION  
3/8" = 1'-0"



3 E-W WALL SECTION  
3/8" = 1'-0"

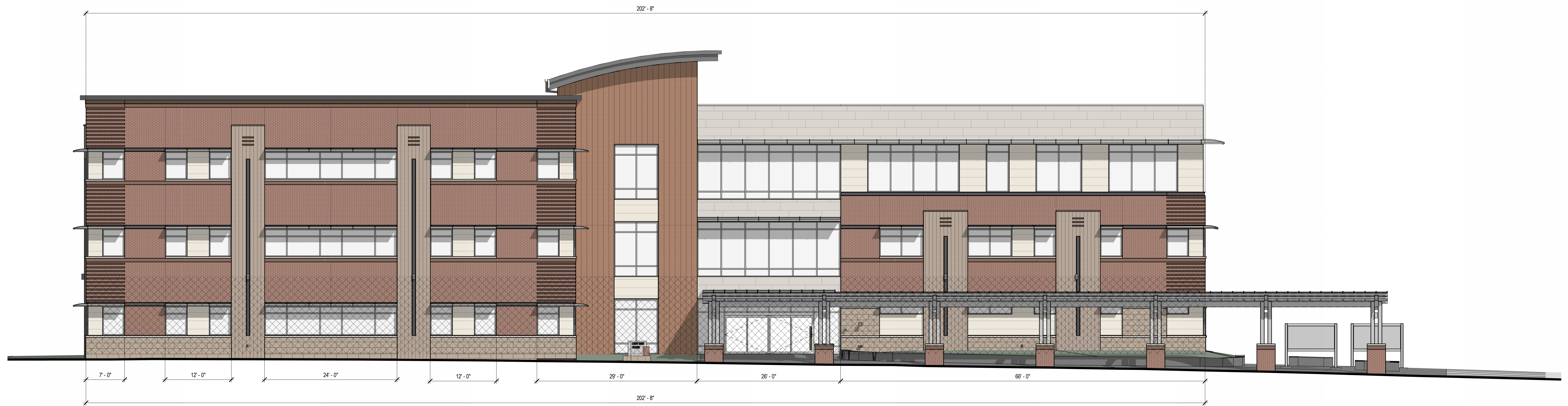


2 E-W WALL SECTION  
3/8" = 1'-0"

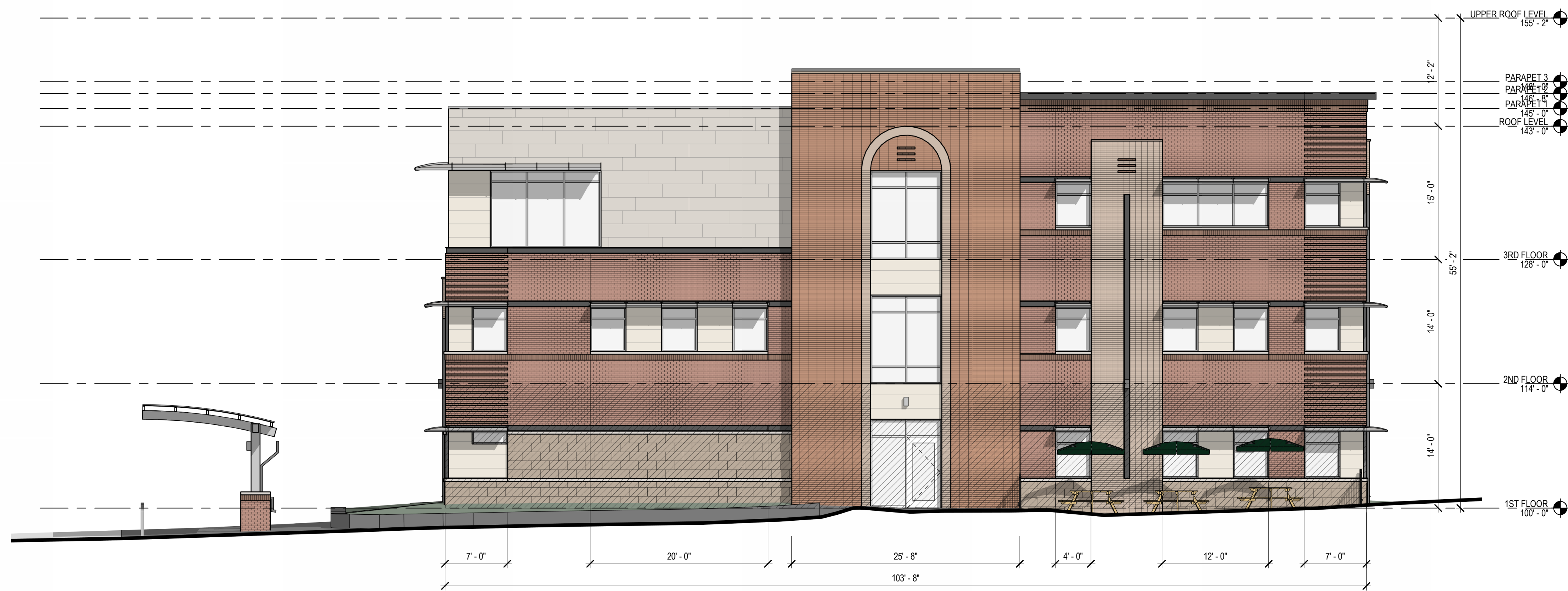


1 E-W WALL SECTION  
3/8" = 1'-0"





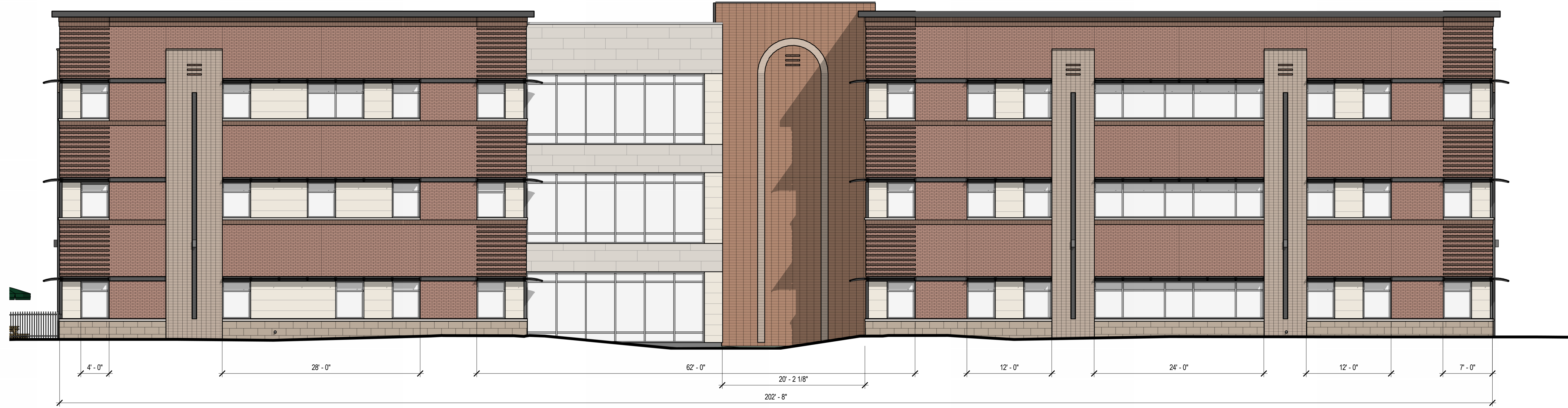
SOUTH ELEVATION  
1/8" = 1'-0"



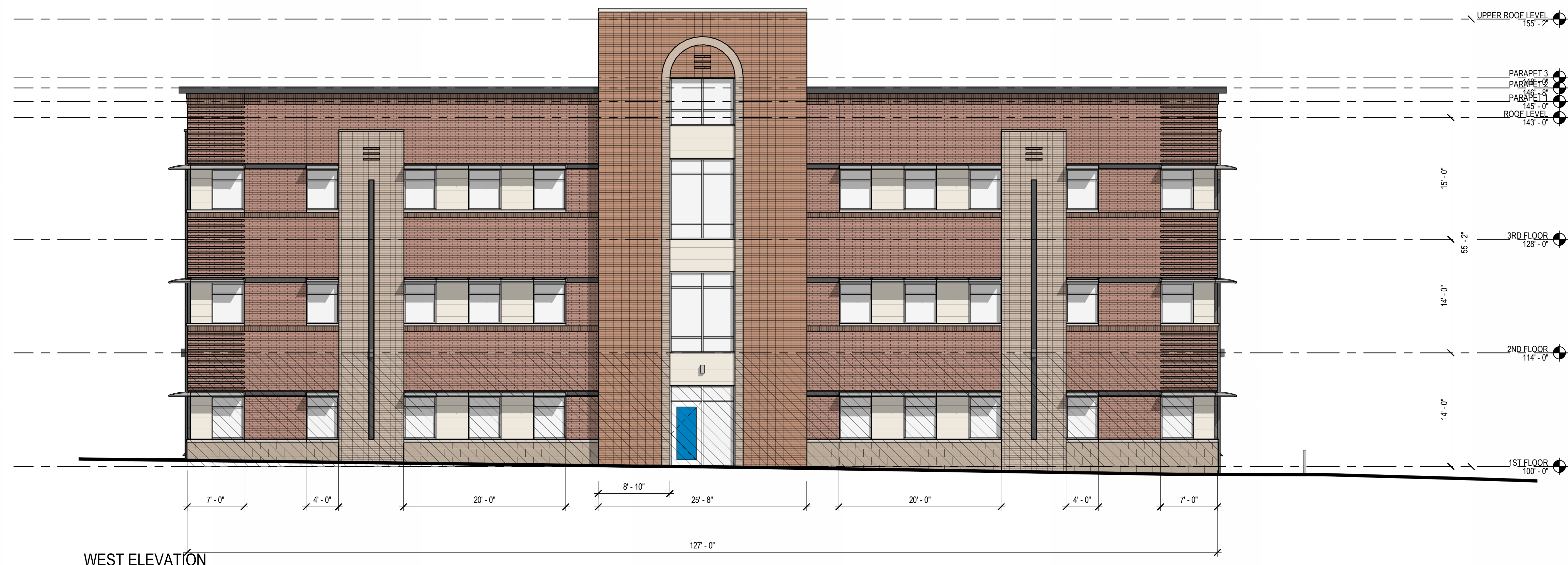
EAST ELEVATION  
1/8" = 1'-0"

# EXTERIOR ELEVATIONS





NORTH ELEVATION  
1/8" = 1'-0"



WEST ELEVATION  
1/8" = 1'-0"

# EXTERIOR ELEVATIONS