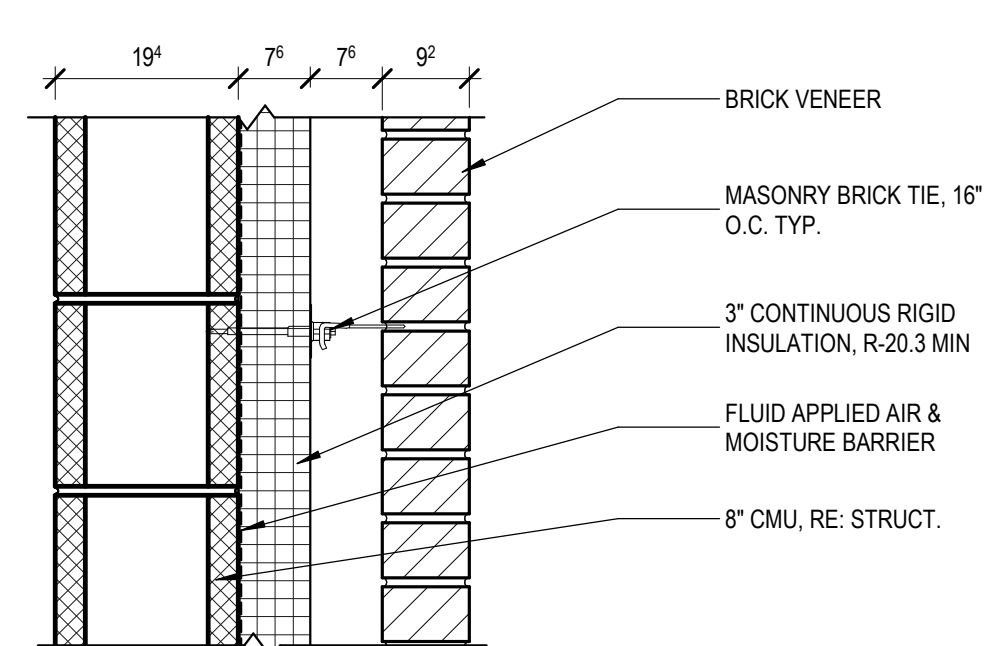
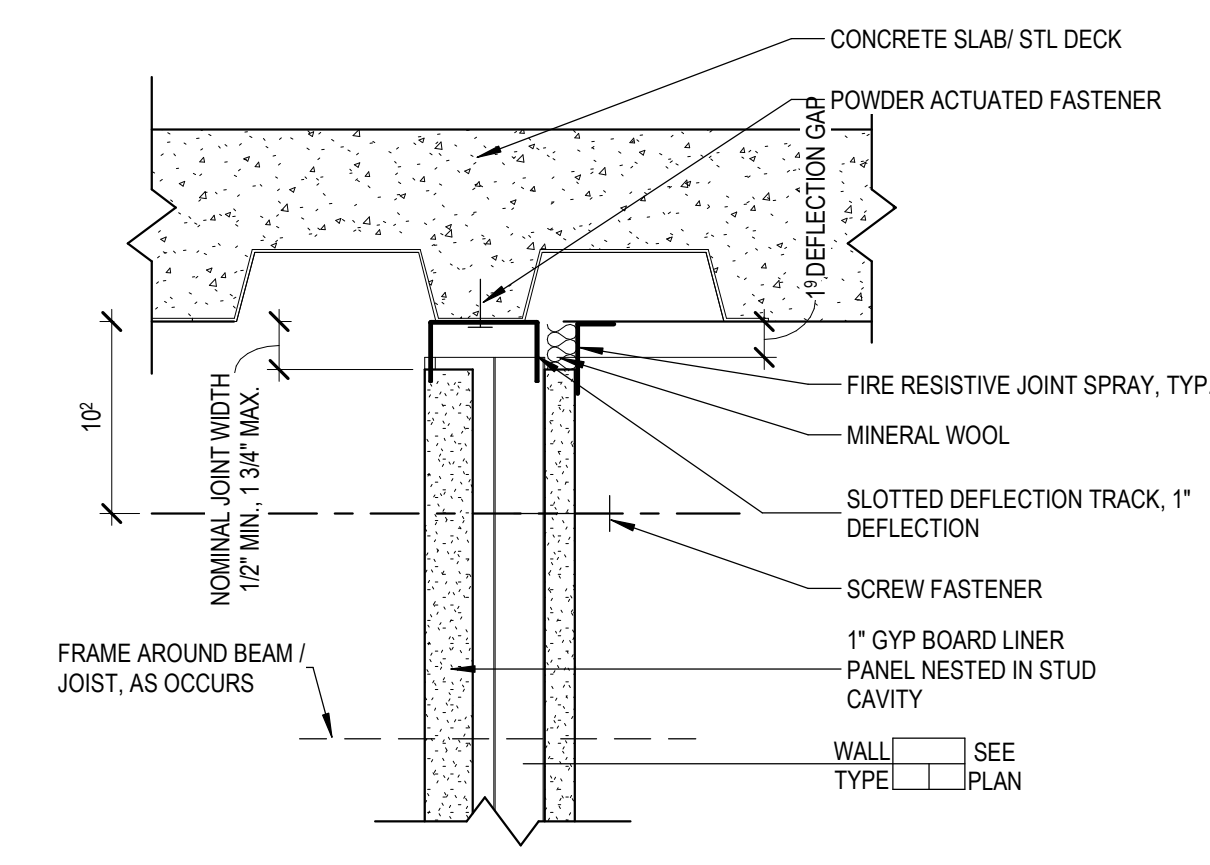


UL X829

1 HR RATED COLUMN - X829
1:8

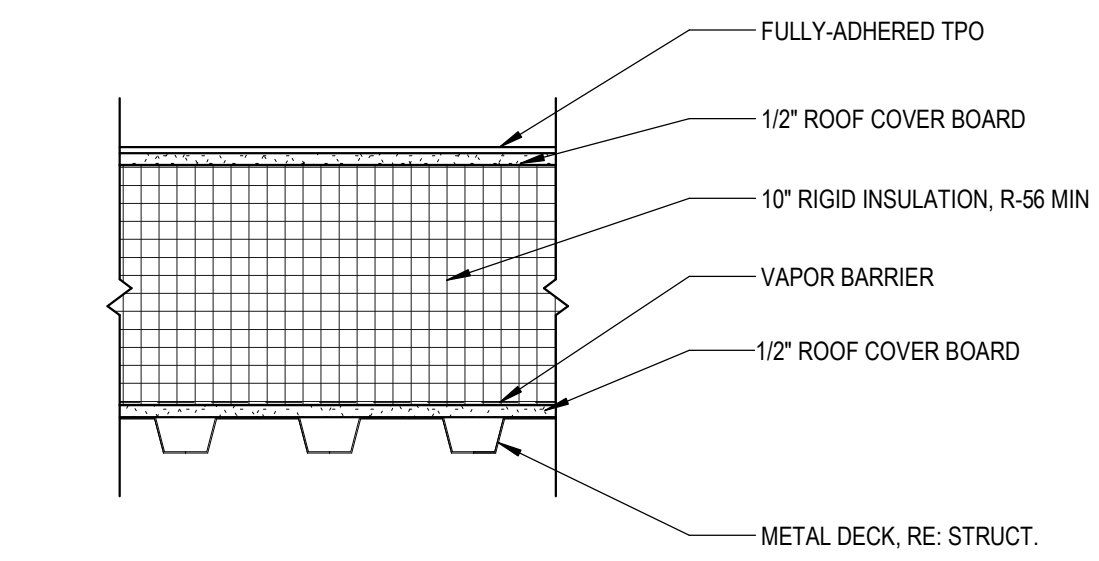


EXTERIOR WALL TYPE WCM8G
1:8

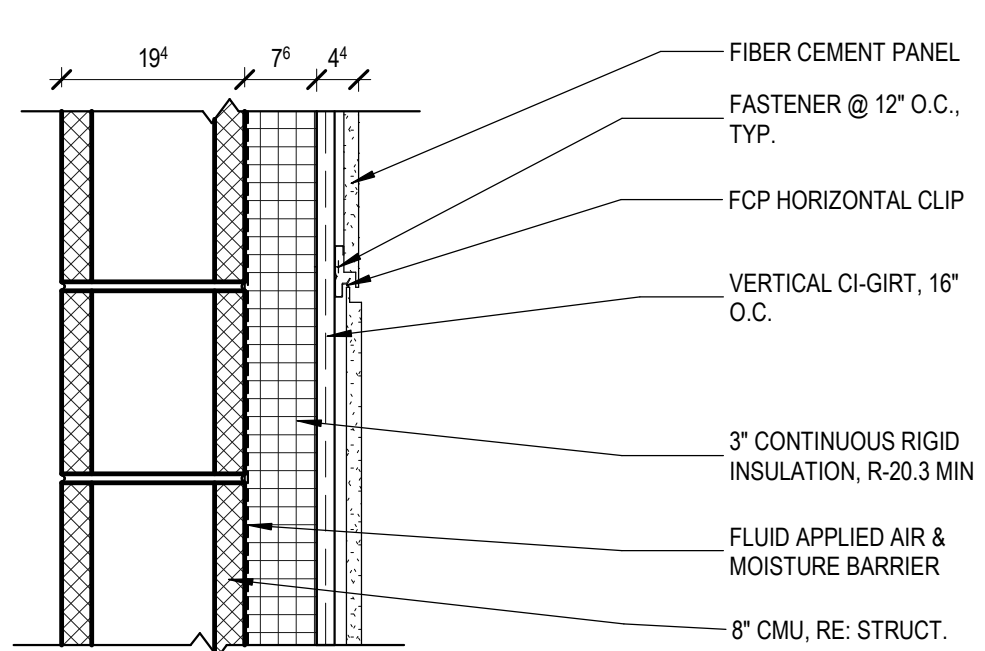


UL# HW-D-0552

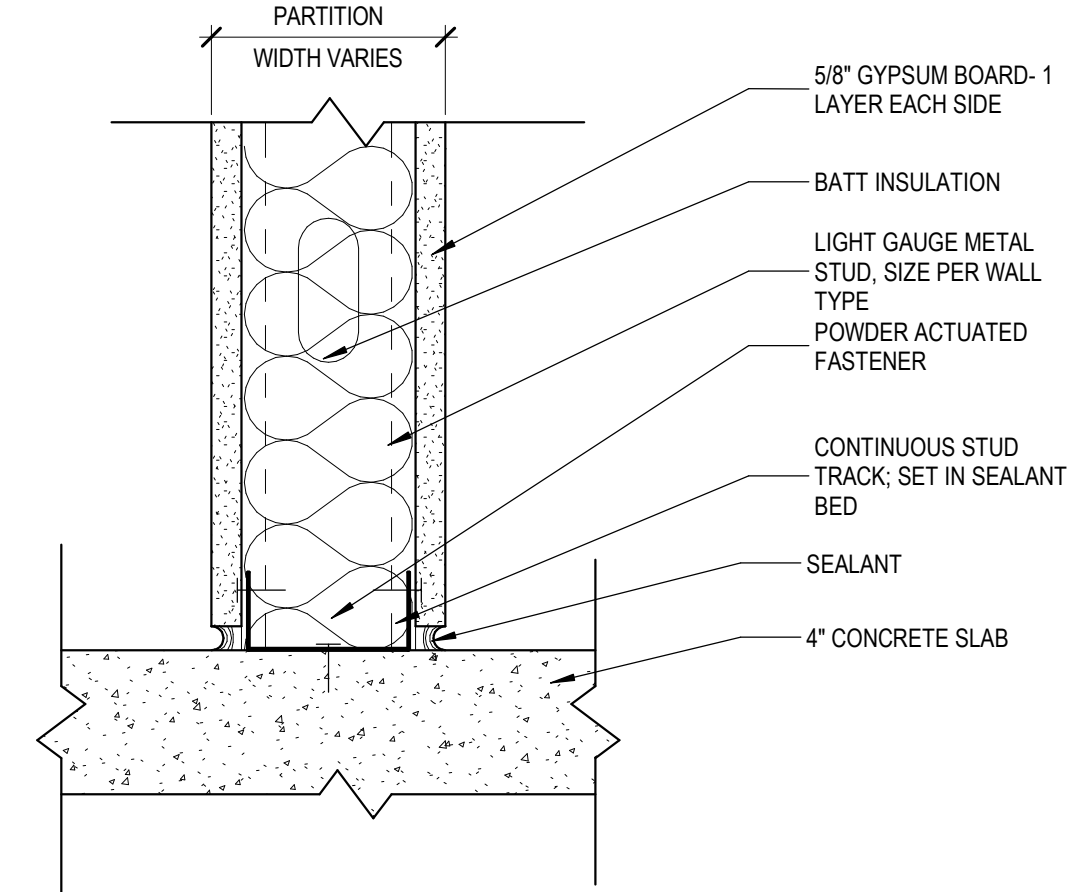
15 SHAFTWALL TO SLAB DETAIL
1:4



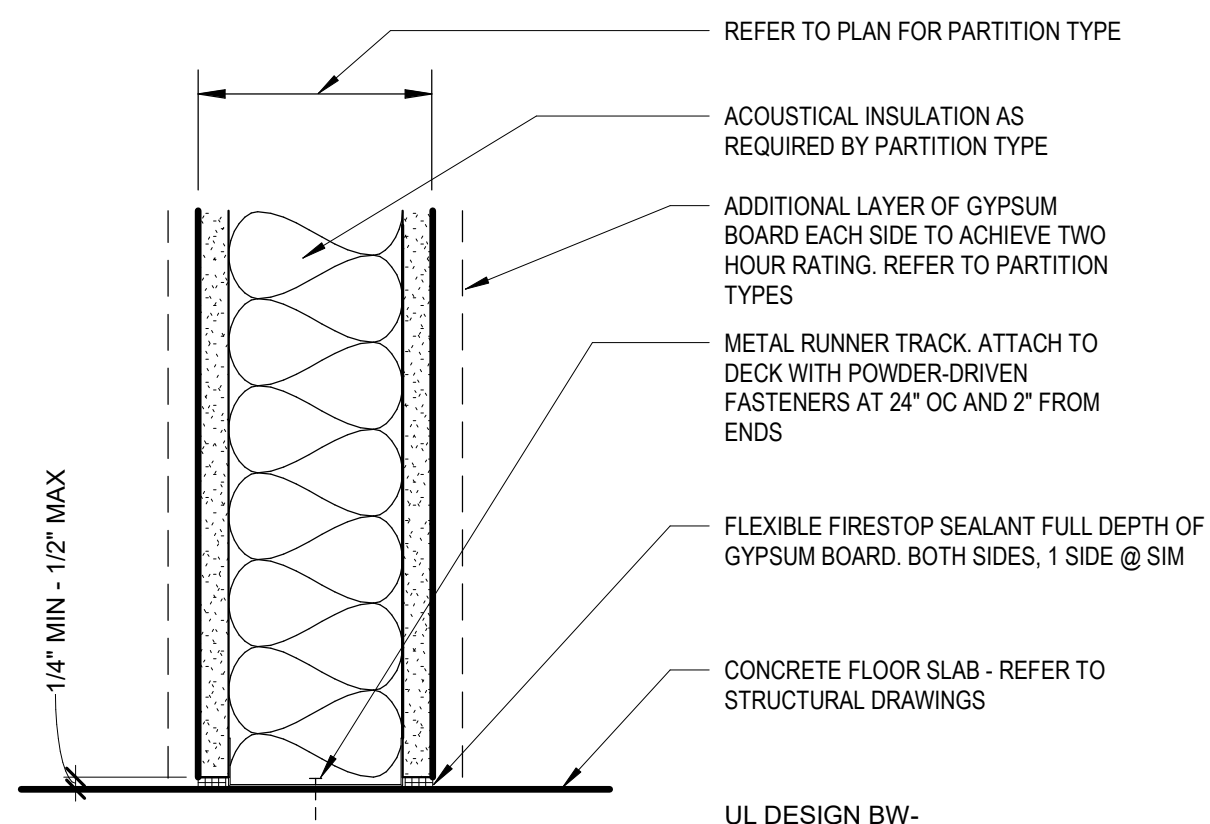
TYPICAL ROOF ASSEMBLY
1:8



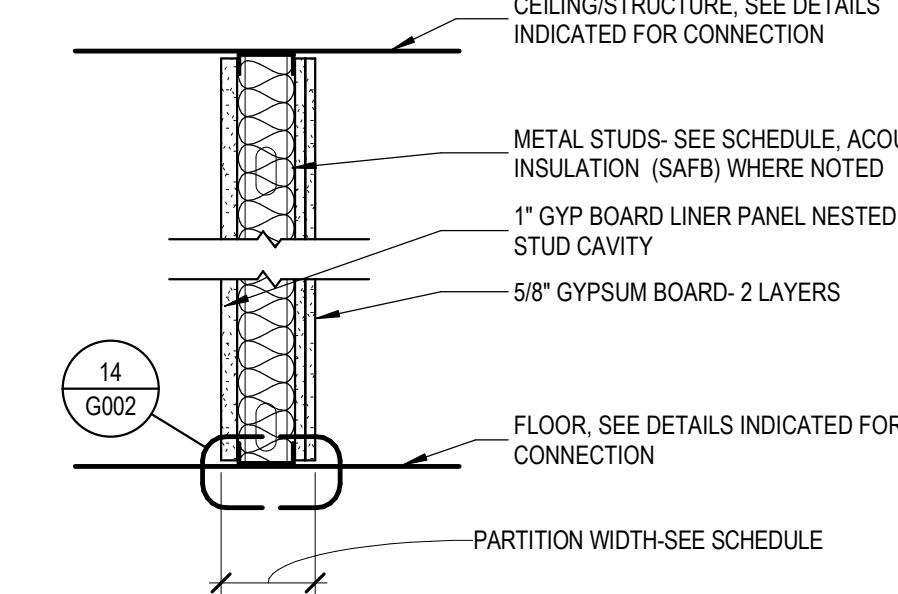
EXTERIOR WALL TYPE WCM8F
1:8



19 NON-RATED WALL BASE DTL
1:4

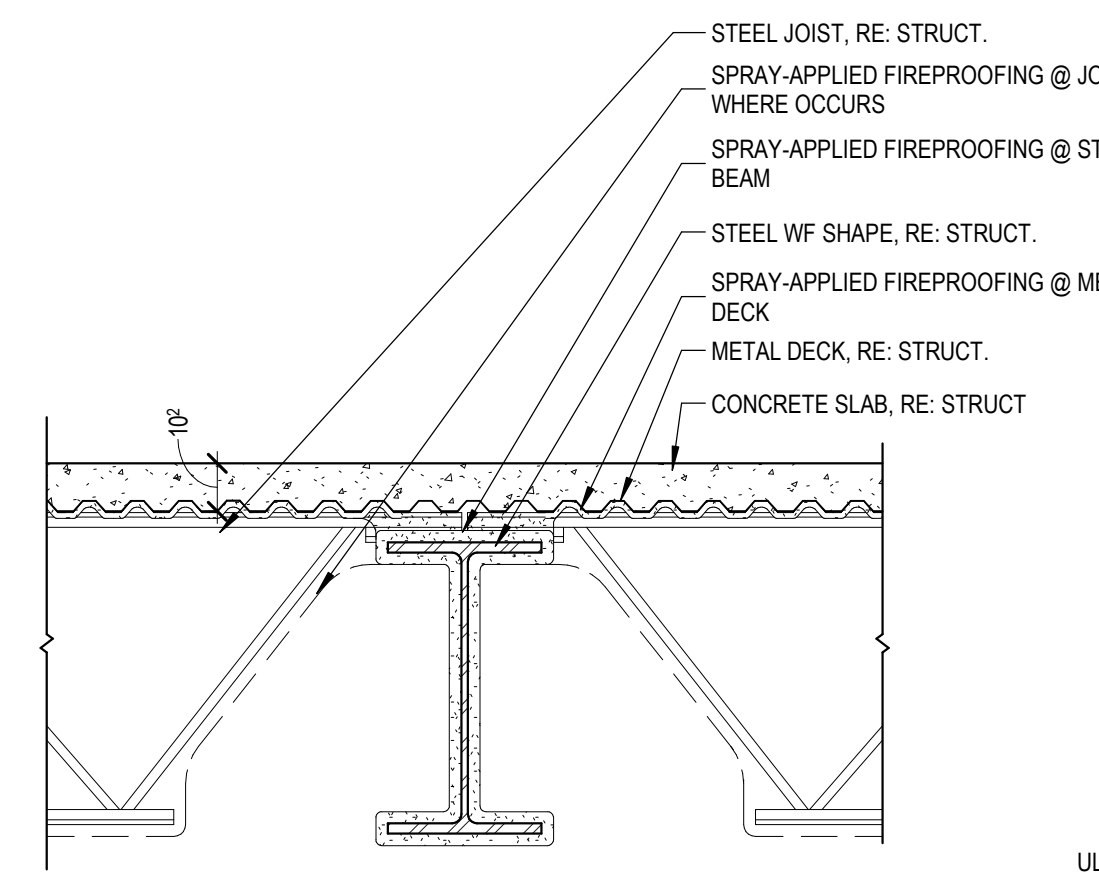


14 TYPICAL FIRE RATED BASE DTL
1:4



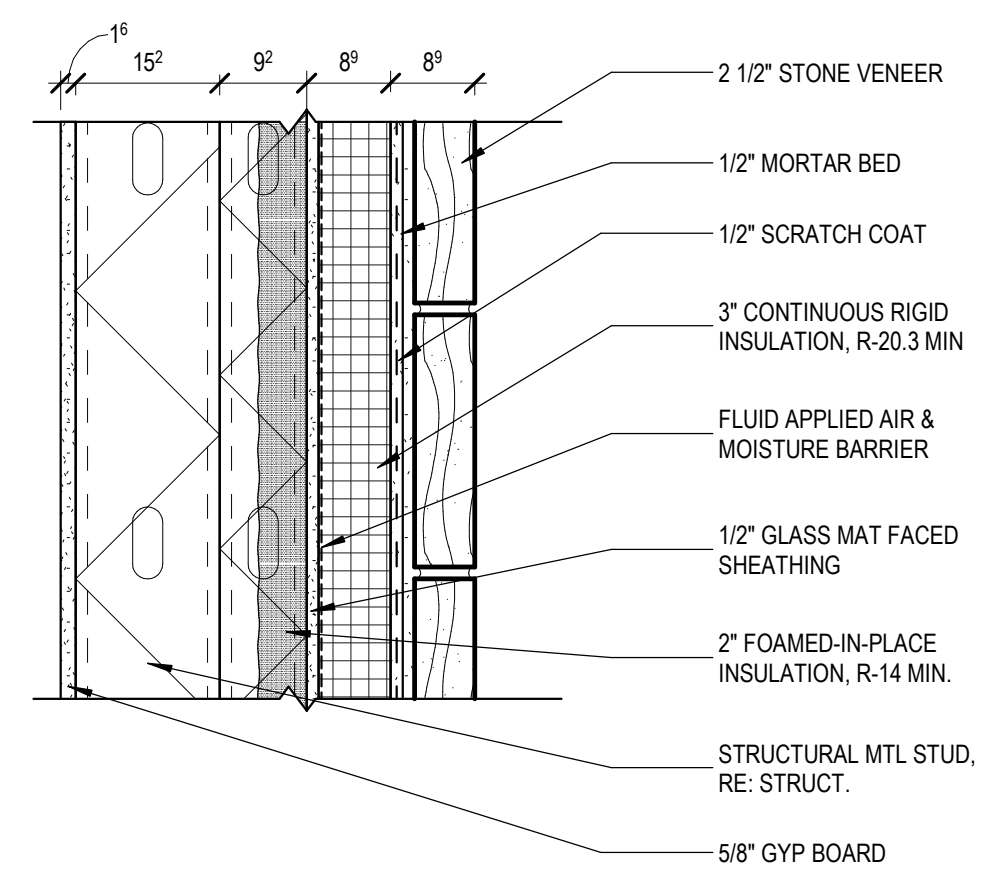
PARTITION TYPE ASSEMBLY S(X)V			
ASSEMBLY SIZE (X)	ASSEMBLY RATING	U.L. LISTING	PARTITION WIDTH
6	V	U415	0.184

PARTITION TYPE S(X)V - 2 HOUR SHAFT ENCLOSURE
1:12

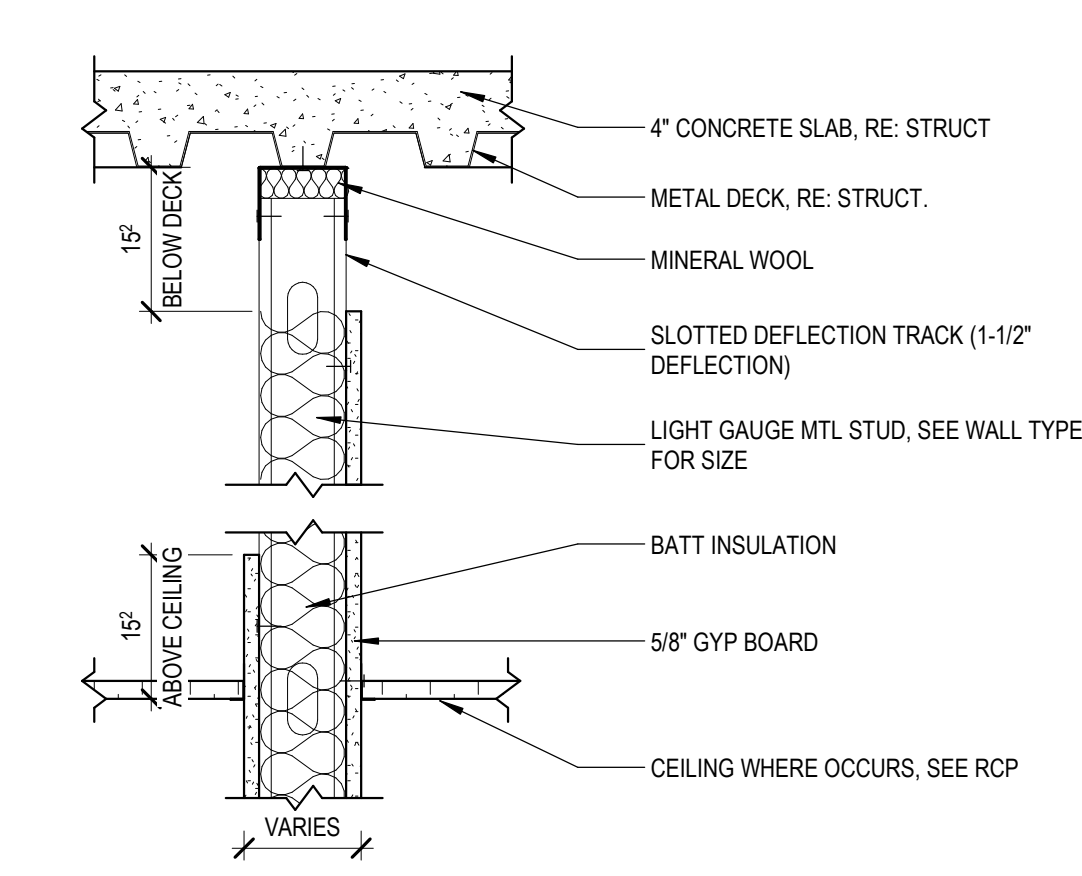


UL G801

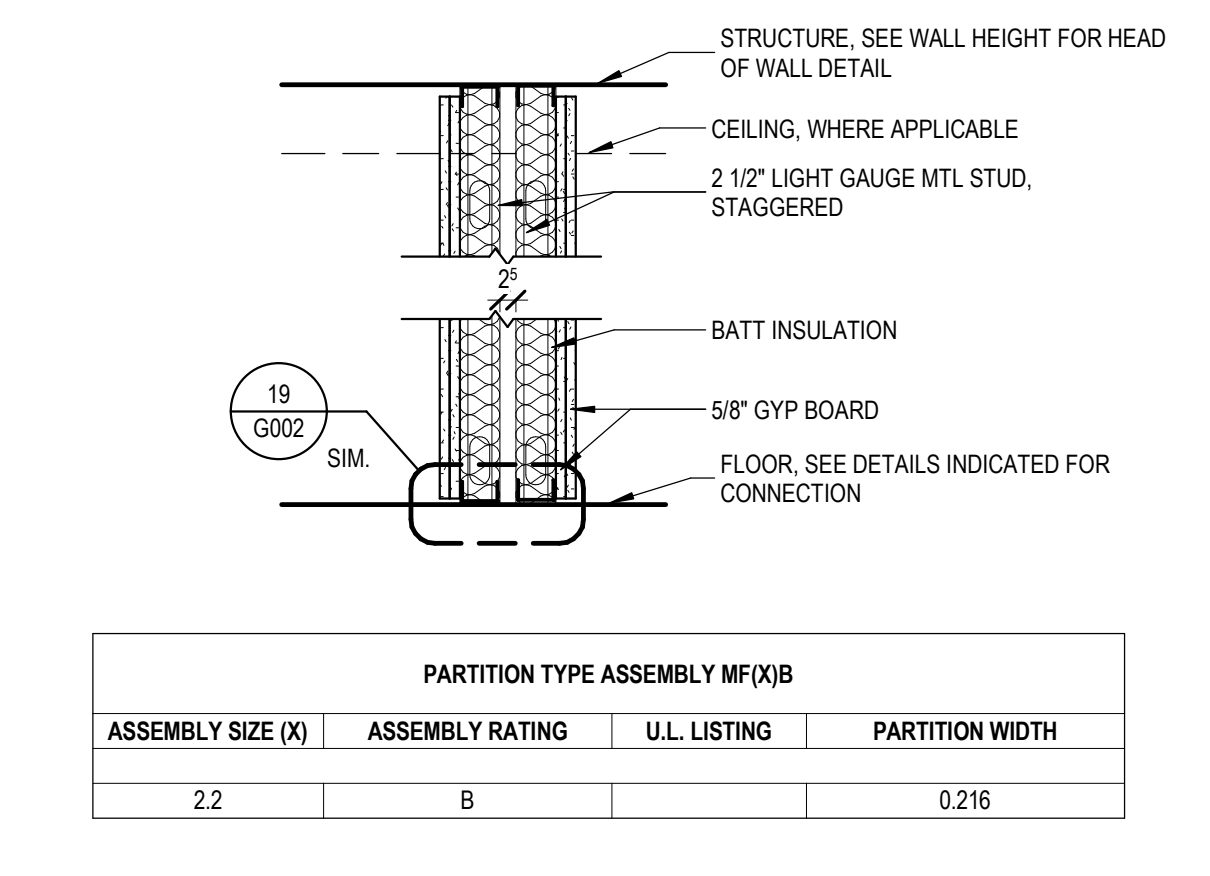
1 HR RATED FLOOR ASSEMBLY - G801
1:16



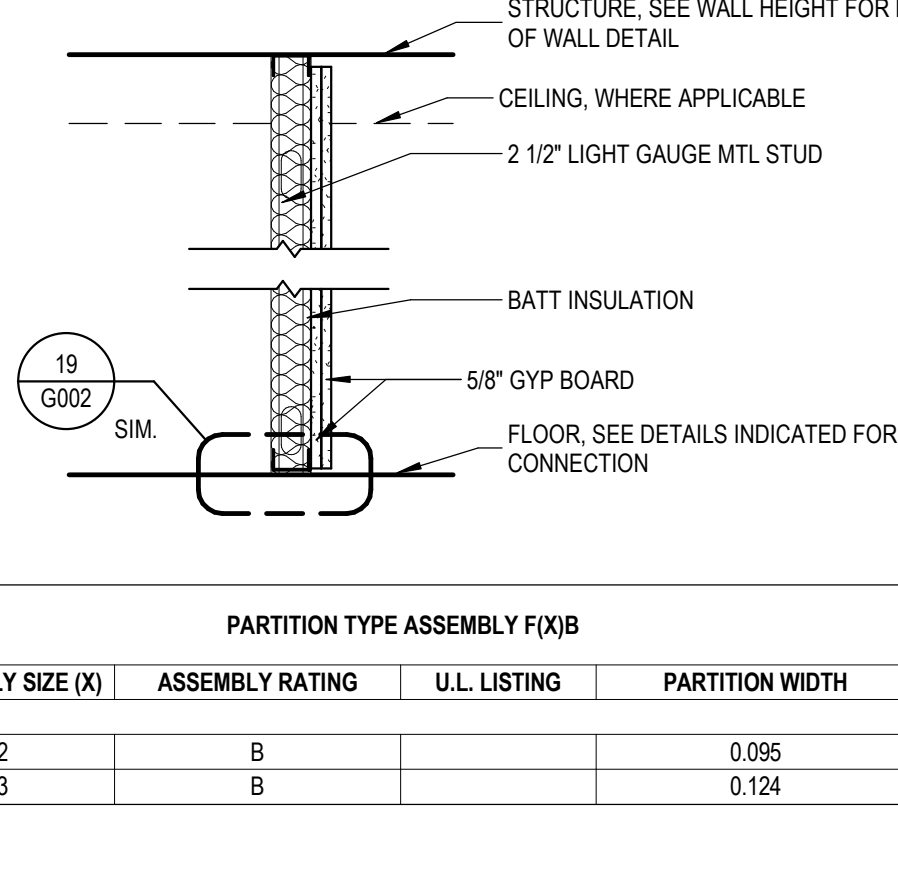
EXTERIOR WALL TYPE WMF6G - STONE VENEER
1:8



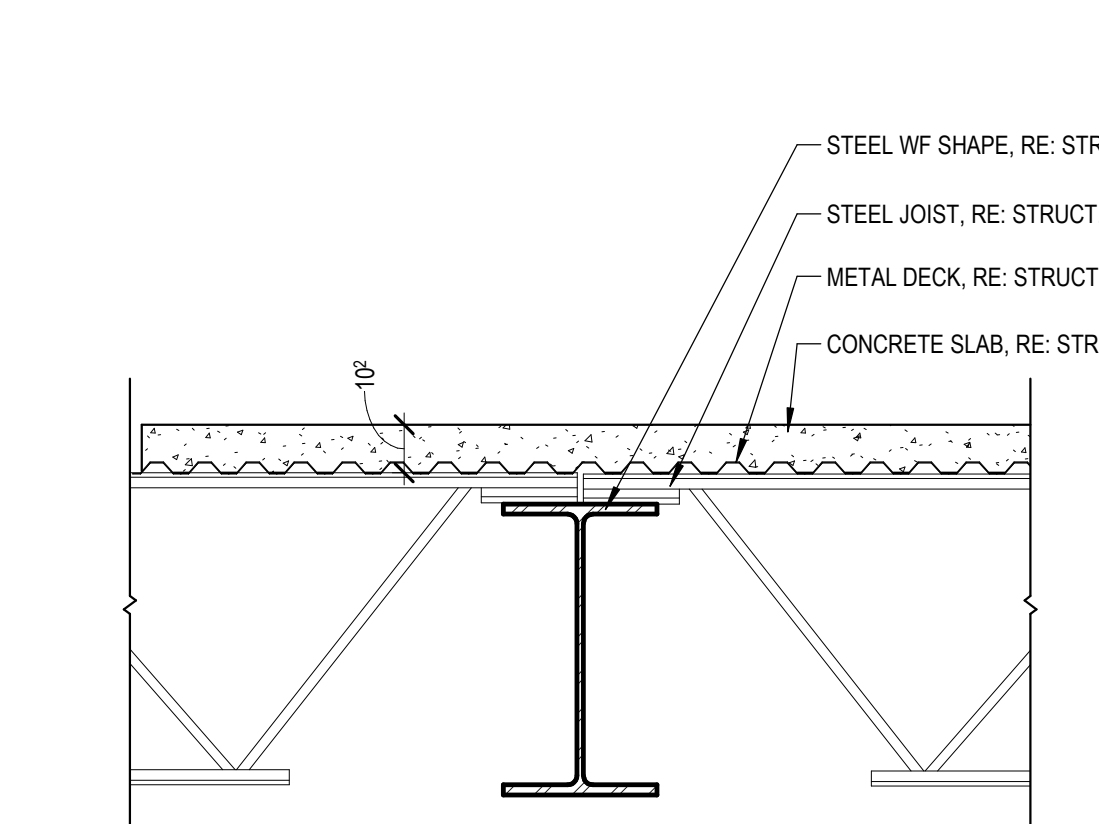
HEAD OF WALL - 'F' HEIGHT
1:8



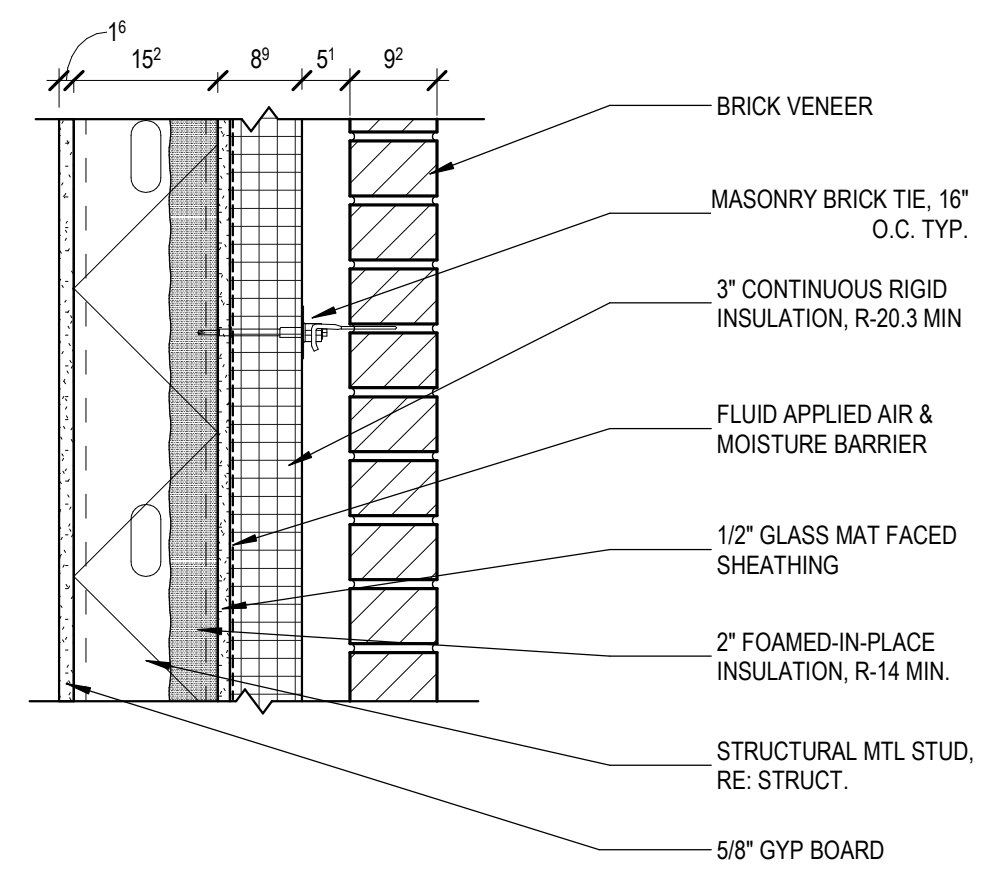
PARTITION TYPE MF(X)B - NON-RATED PARTITION
1:12



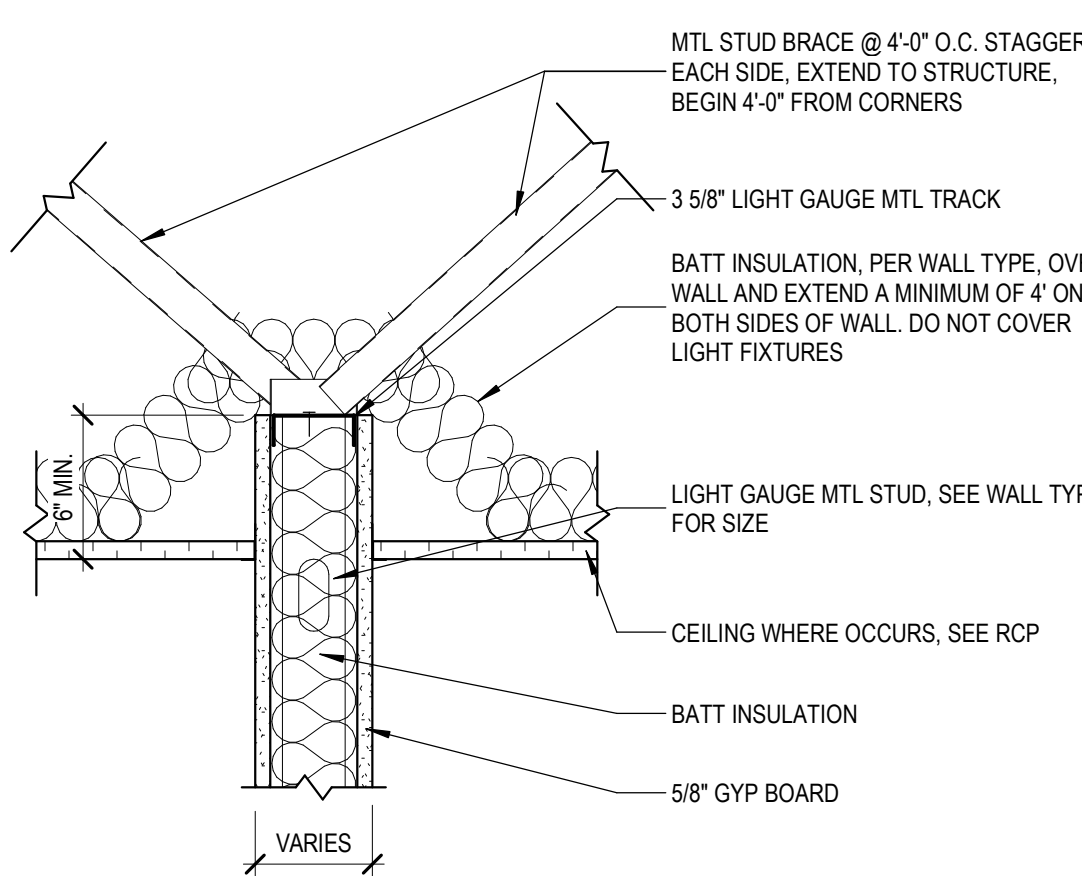
PARTITION TYPE F(X)B - NON-RATED FURRING WALL
1:12



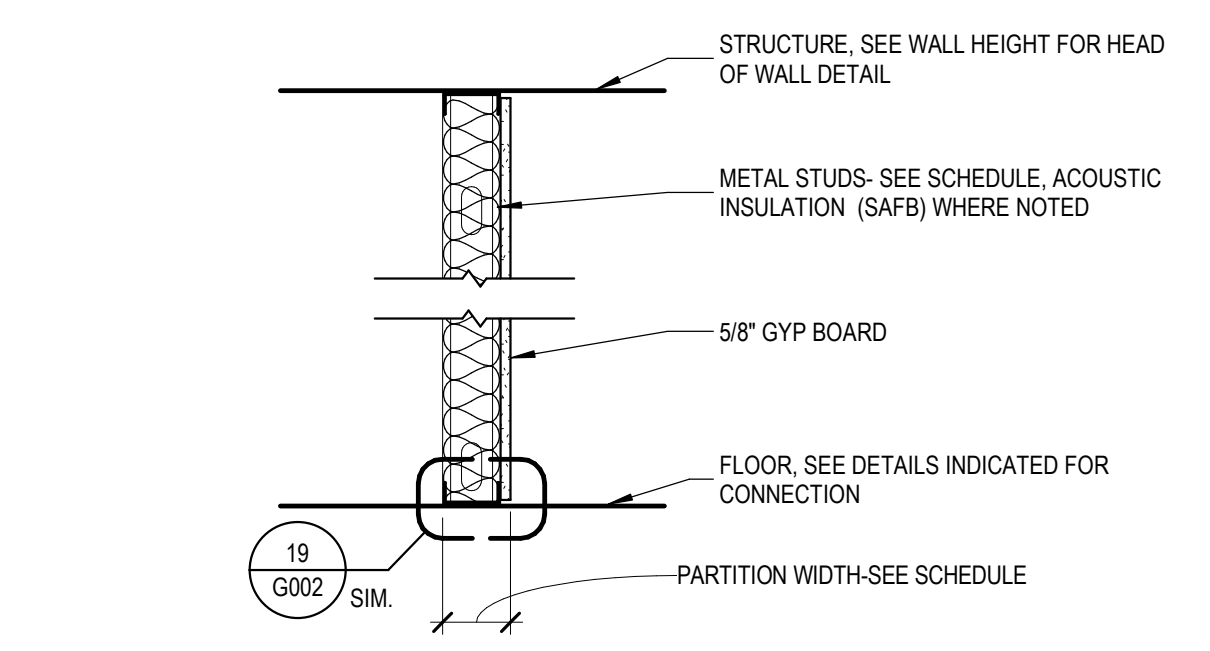
FLOOR TYPE - CONCRETE SLAB OVER METAL DECK
1:16



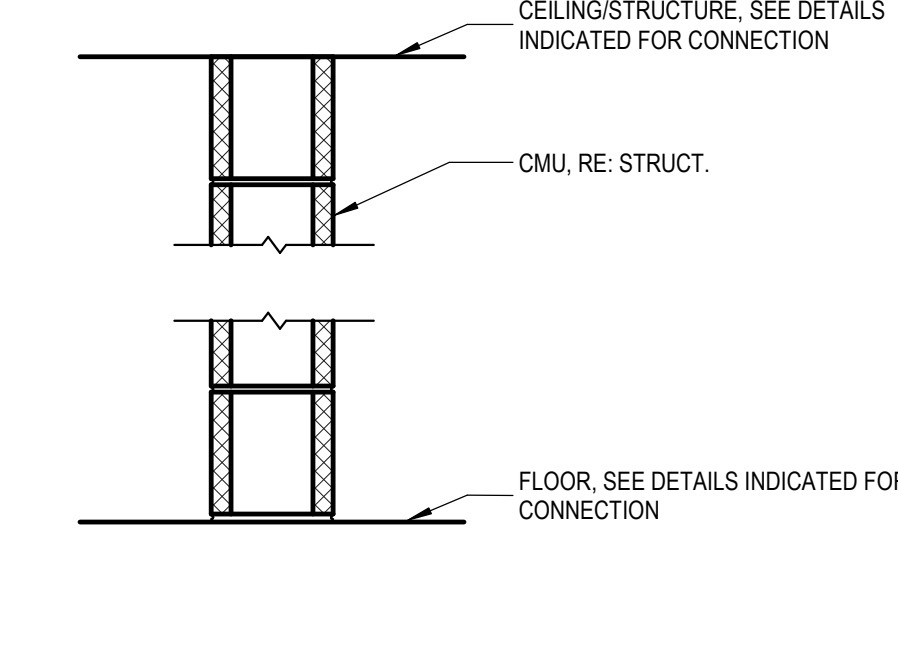
EXTERIOR WALL TYPE WMF6G - BRICK VENEER
1:8



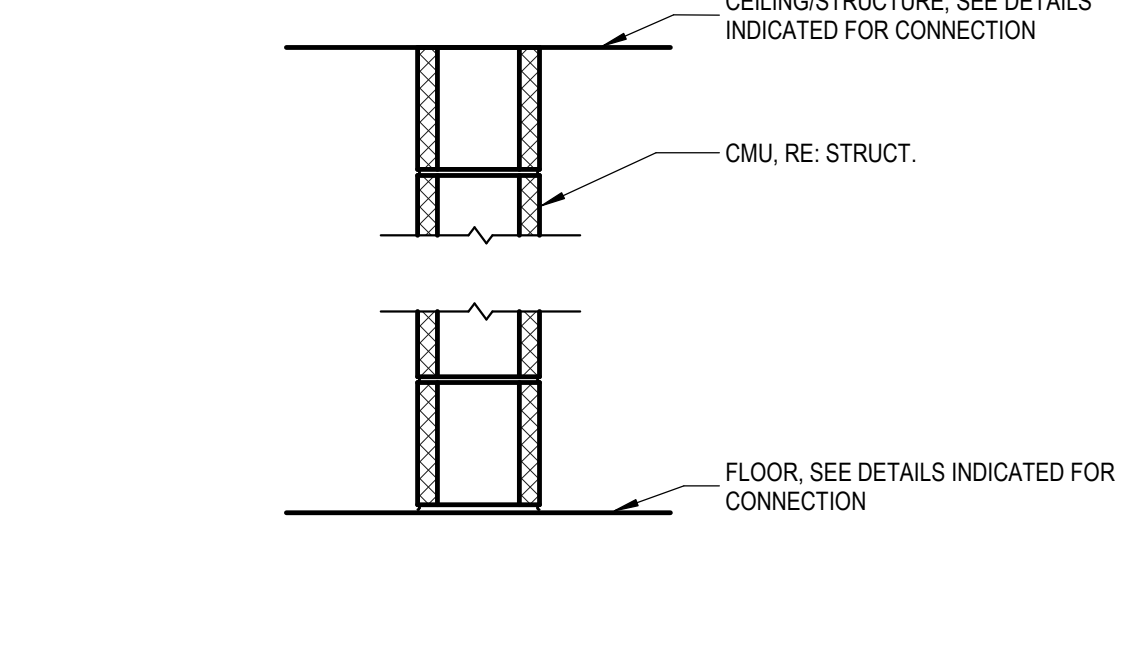
HEAD OF WALL - 'B' HEIGHT
1:8



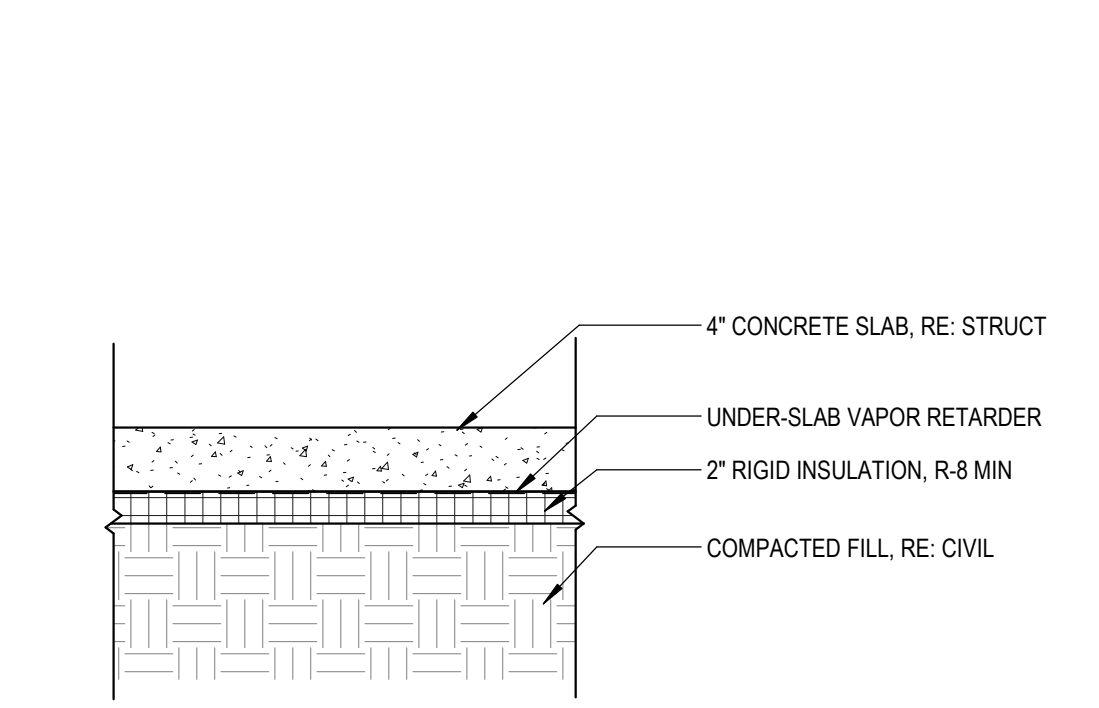
PARTITION TYPE F(X)A - NON-RATED FURRING WALL
1:12



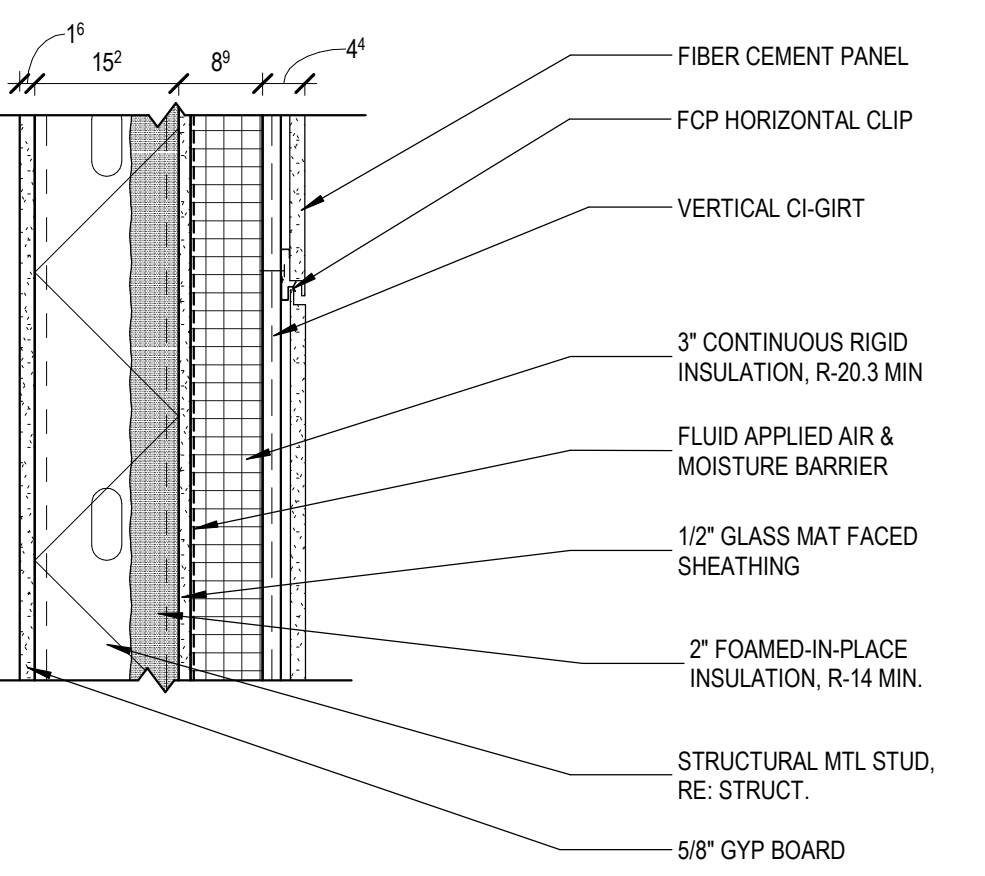
PARTITION TYPE CM(X)U - 1 HR FIRE BARRIER
1:12



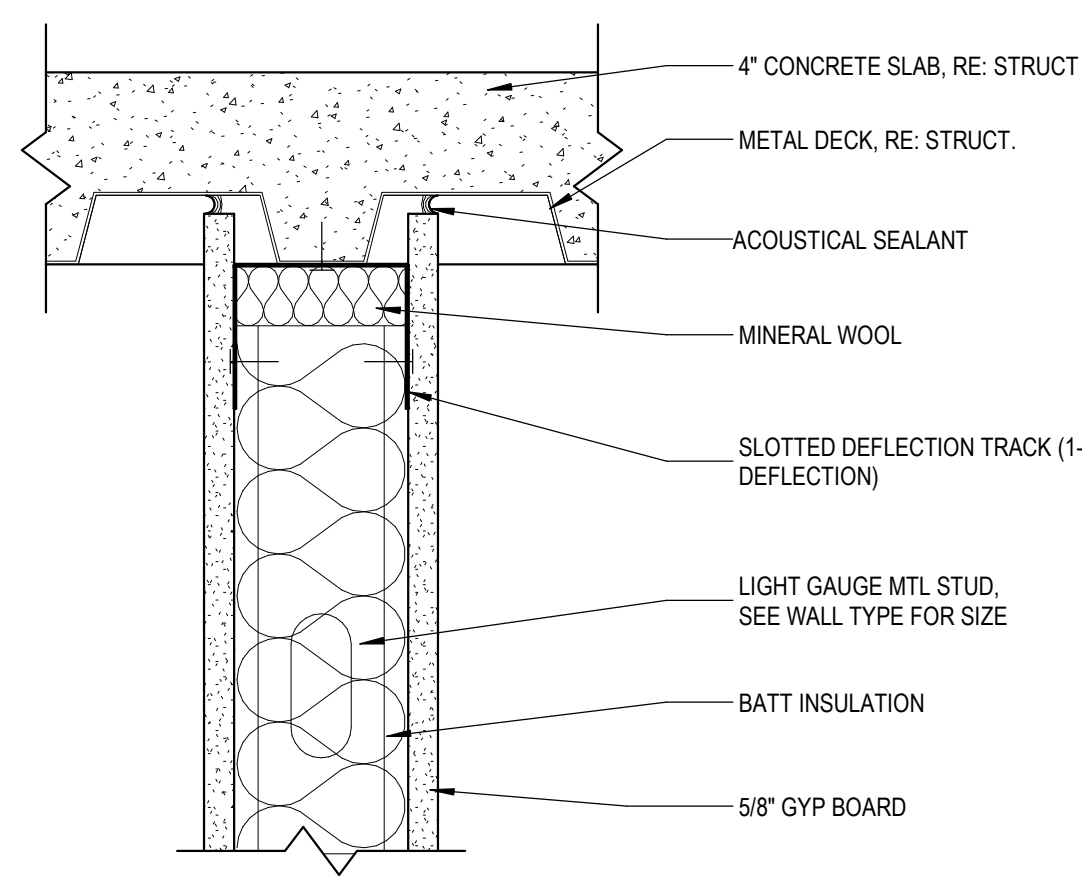
PARTITION TYPE CM(X)W - 1 HR SHAFT ENCLOSURE
1:12



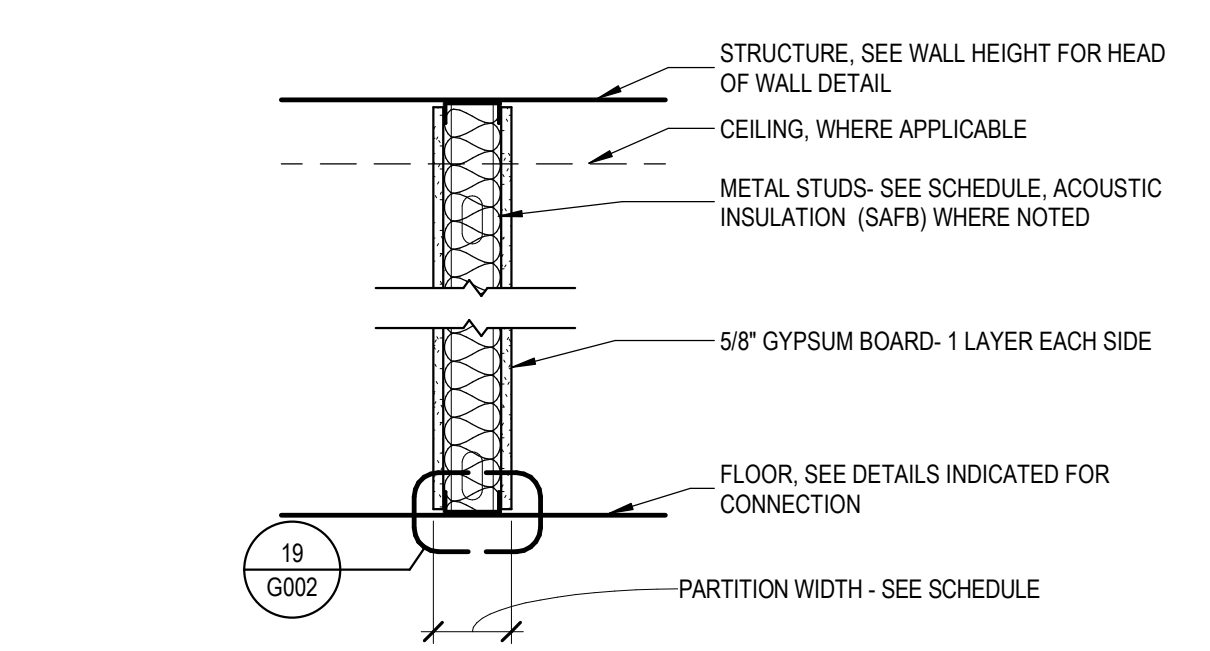
FLOOR TYPE - SLAB ON GRADE
1:12



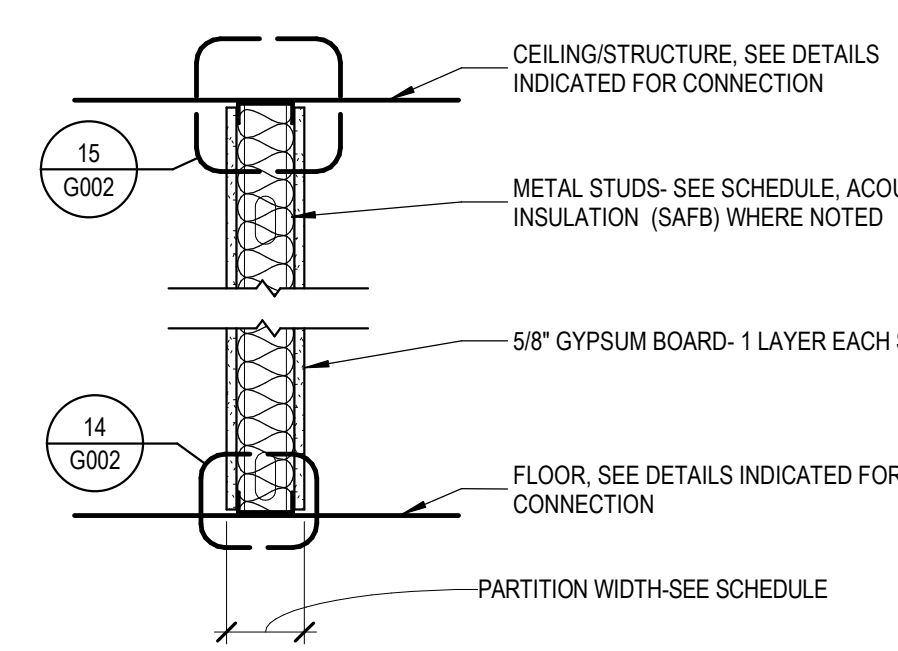
EXTERIOR WALL TYPE WMF6F
1:8



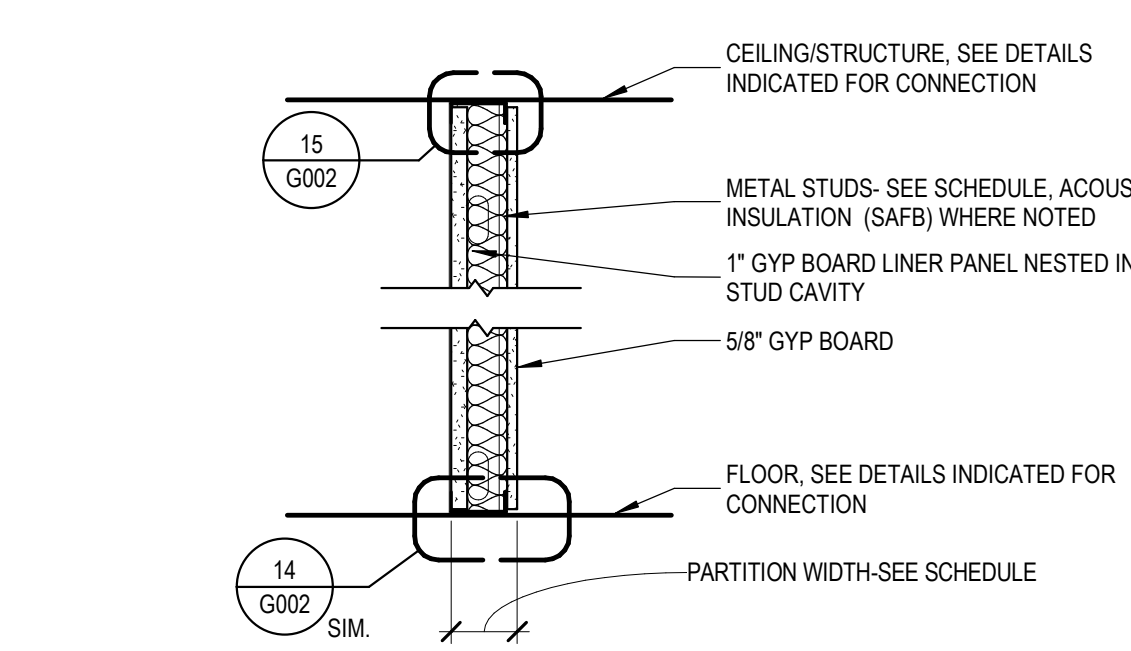
HEAD OF WALL - 'A' HEIGHT
1:4



PARTITION TYPE MF(X)A - NON-RATED PARTITION
1:12



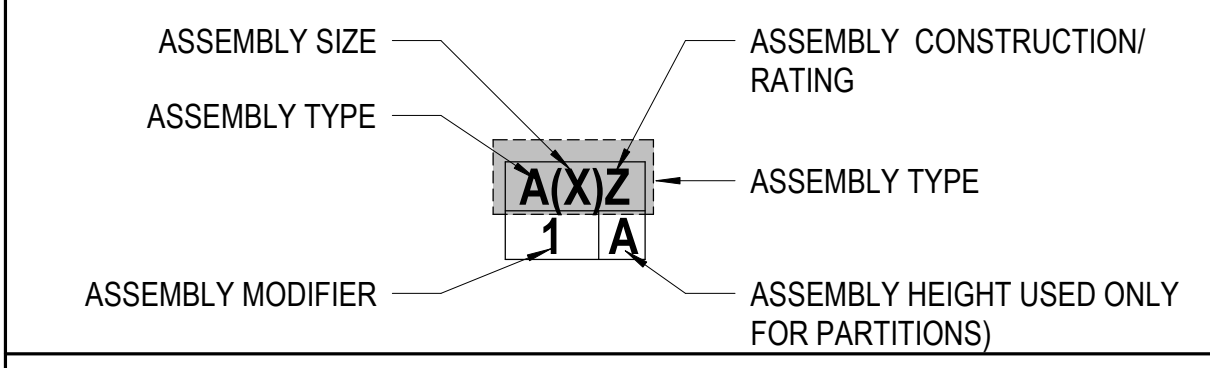
PARTITION TYPE MF(X)U - 1 HOUR FIRE BARRIER
1:12



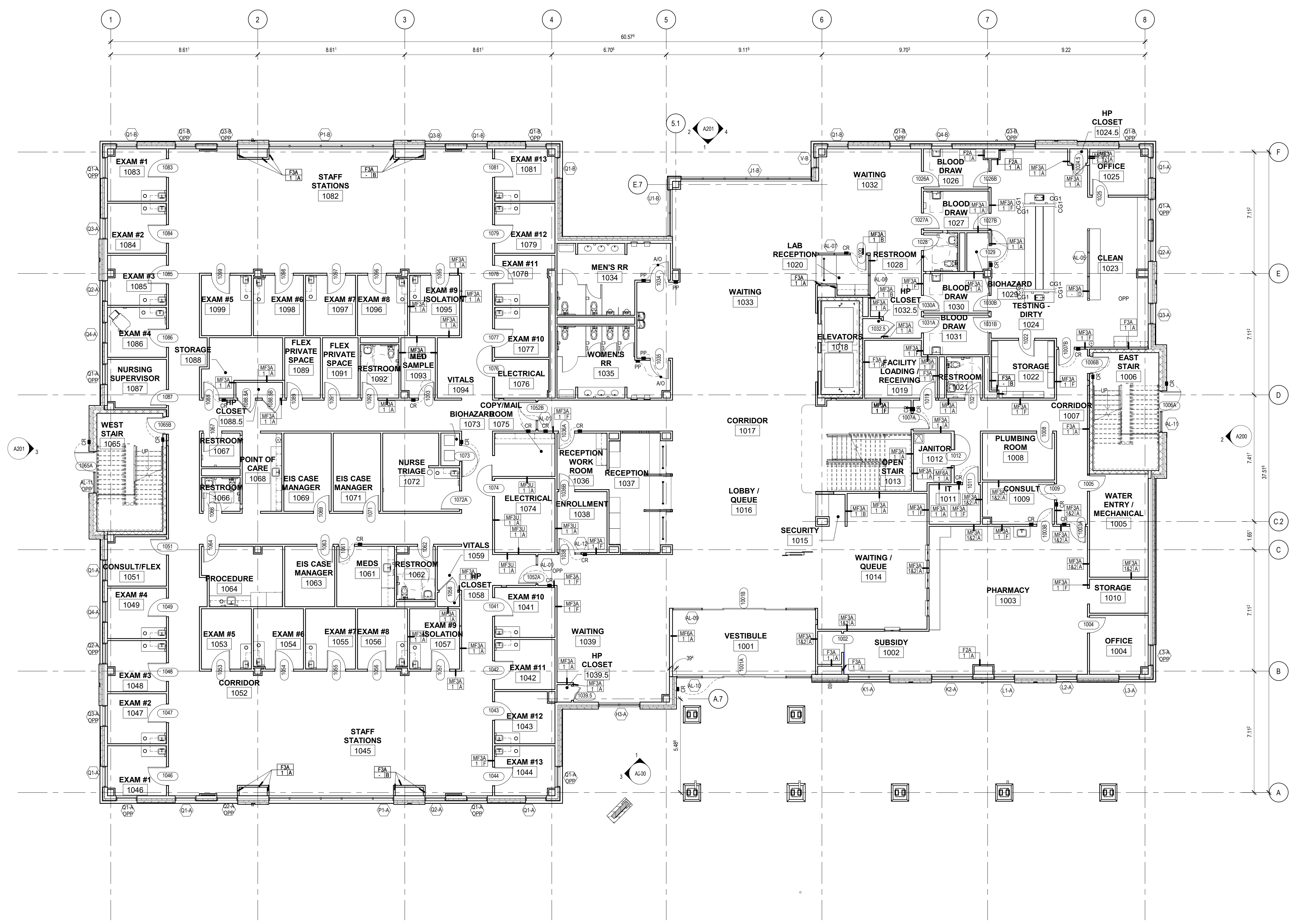
PARTITION TYPE S(X)W - 1 HR SHAFT ENCLOSURE
1:12

ASSEMBLY TYPE AND WALL TAG LEGEND

ASSEMBLY TYPE	ASSEMBLY SIZE	ASSEMBLY CONST. / RATING
MARK	ASSEMBLY	MARK DESCRIPTION
A	CM-CMU	A 1 LAYER GYPSUM BOARD PER ASSEMBLY TYPE
B	4" CONCRETE MASONRY UNIT	B 2 LAYERS GYPSUM BOARD PER ASSEMBLY TYPE
C	6" CONCRETE MASONRY UNIT	C 1 LAYER / 2 LAYERS GYPSUM BOARD PER ASSEMBLY TYPE
D	8" CONCRETE MASONRY UNIT	D STUCCO
E		E EIFS
F	F-FURRING	F SIDING
FR	0	G MASONRY VENEER
H	1	H
I	1.1	I
J	1.1	J
K	1.5	K
L	2	L
MF	2	M METAL PANELS
P	2.1	N
PC	2.5	O
Q	3	P
RF	4	R
S	4	S 1 LAYER GYP. BD. @ CORRIDOR SIDE
T	6	T 2 HOUR FIRE BARRIER (IBC 703)
U	0	U 1 HOUR FIRE BARRIER (IBC 706)
V	1	V 2 HOUR SHAFT ENCLOSURE (IBC 707)
W	2	W 1 HOUR SHAFT ENCLOSURE (IBC 707)
X	2	X 1 HOUR FIRE PARTITION (IBC 708)
Y	2	Y 1 HOUR SMOKE BARRIER (IBC 709)
Z	6	Z SMOKE PARTITION (IBC 710)
WF	4	WF WOOD FRAMING
	6	2x4 WOOD FRAMING
	8	2x6 WOOD FRAMING
	8	2x8 WOOD FRAMING



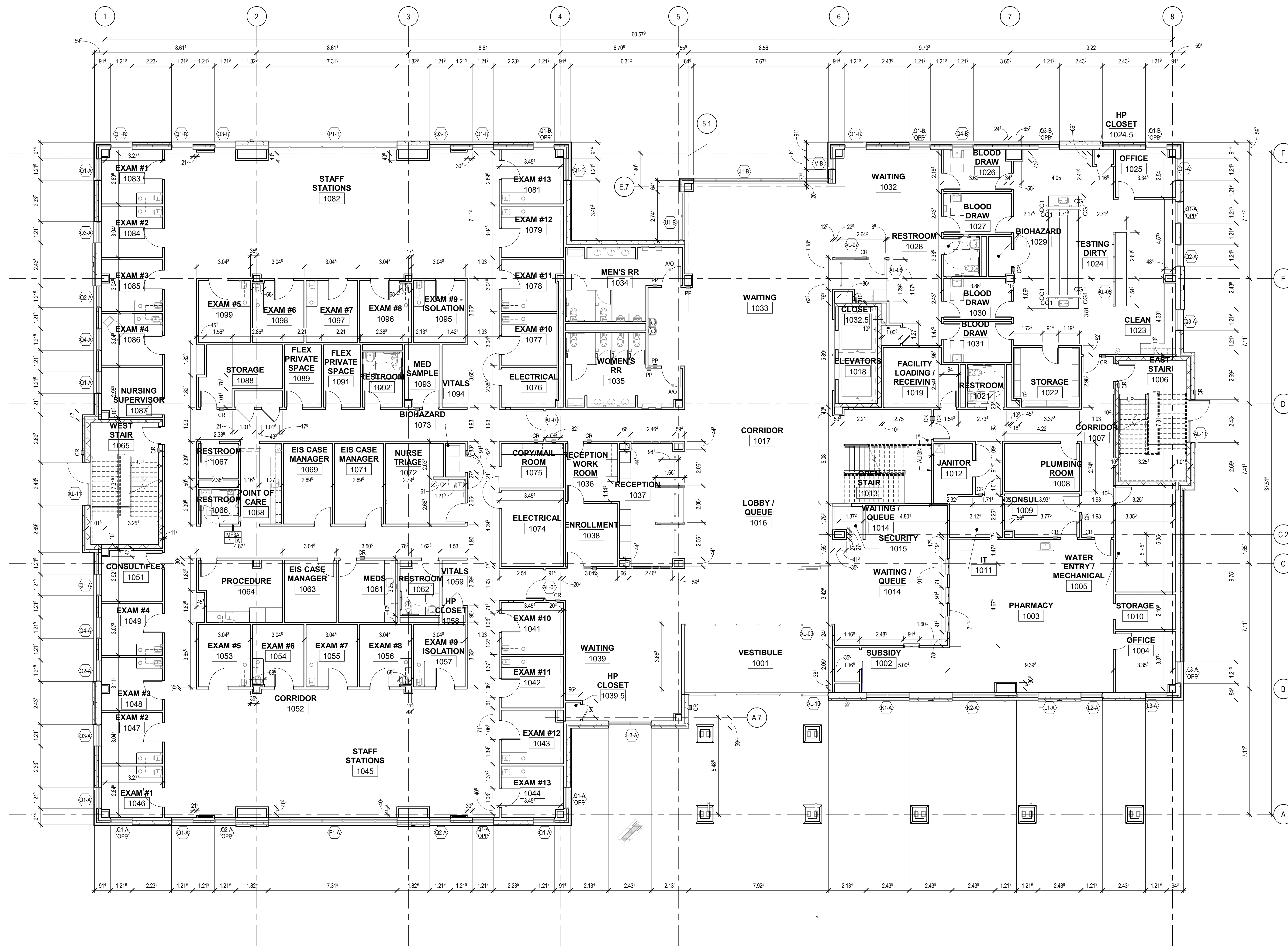
ASSEMBLY MODIFIER	ASSEMBLY HEIGHT USED ONLY FOR PARTITIONS		
MARK	MODIFIER		
MARK	HEIGHT		
1	BATT INSULATION	A	BOTTOM OF DECK ABOVE
2	SECURITY SCREEN (OPPOSITE OF PHARMACY SIDE OF WALL)	B	6" ABOVE CEILING
3	LEAD SHIELDING	C	BOTTOM OF CEILING
4	RADIO FREQUENCY SHIELDING	D	PARTIAL HEIGHT WALL - SEE FLOOR PLAN
5	HIGH IMPACT GYP. BD. - SEE PLANS FOR HEIGHT ABOVE FINISHED FLOOR	E	EXTERIOR WALLS. SEE ELEVATIONS
6	SPRAY FOAM INSULATION SOUND ATTENUATING FIRE BATT INSULATION	F	6" ABOVE CEILING / 6" BELOW DECK
7	2 LAYERS 3/4" CDX PLYWOOD		
9-69	WALL / PARTITION MODIFIER		
70-85	FLOOR MODIFIER		
86-99	ROOF MODIFIER		



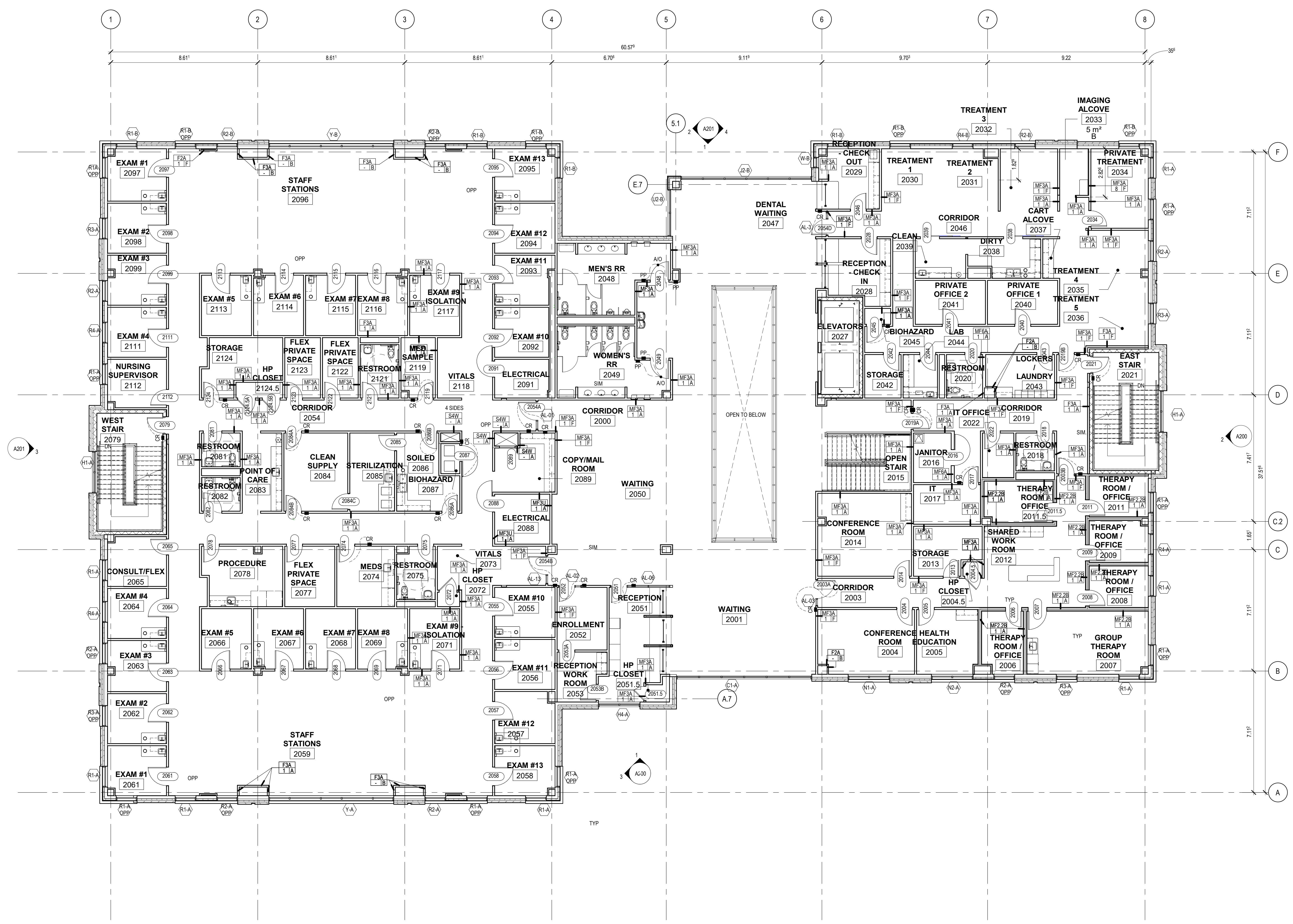
1 FIRST FLOOR PLAN
A110 1:100

SHEET TITLE
FIRST FLOOR PLAN

ISSUED FOR CONSTRUCTION
SHEET NO.
A110



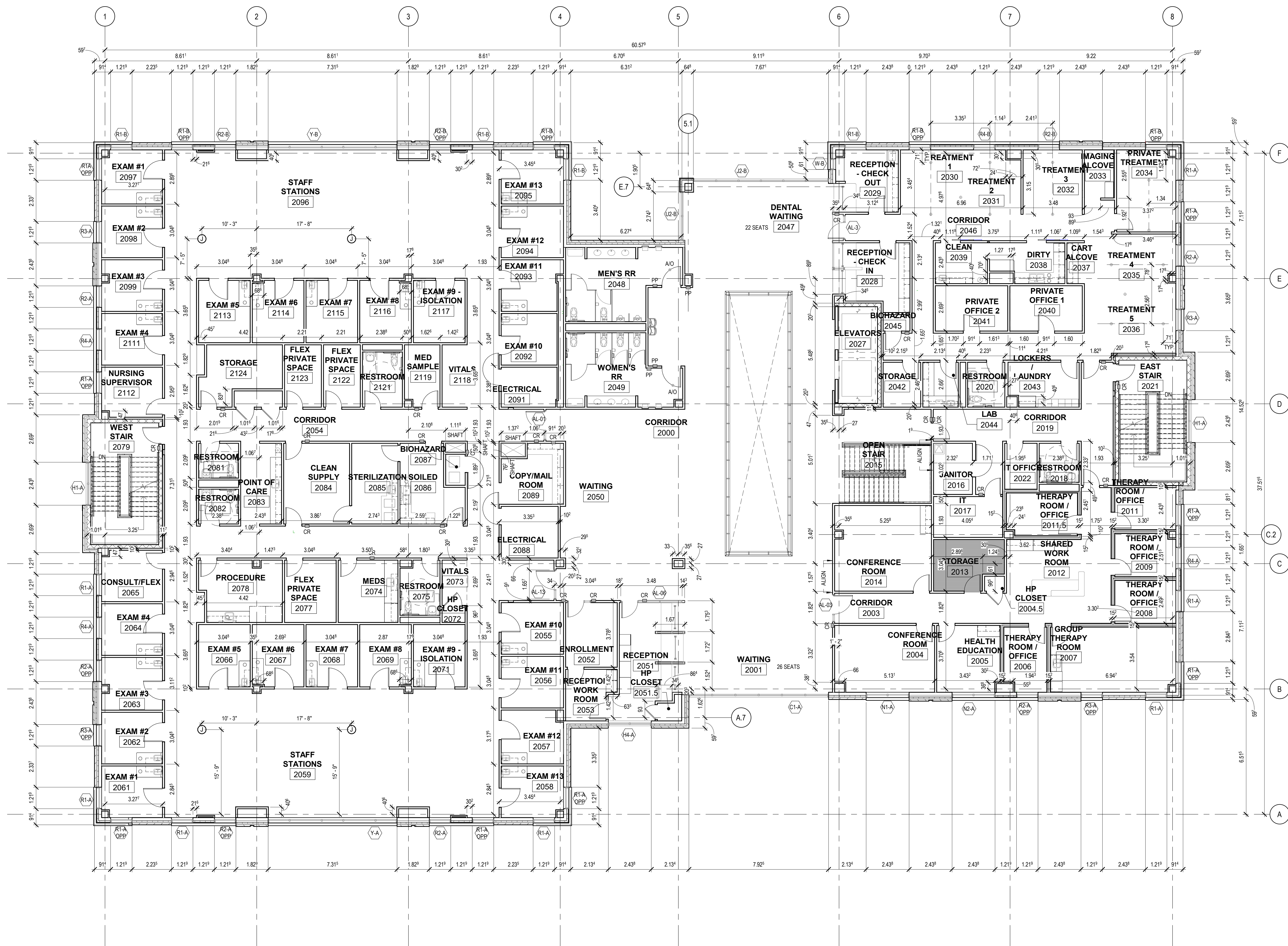
1 FIRST FLOOR PLAN
A111 1:100



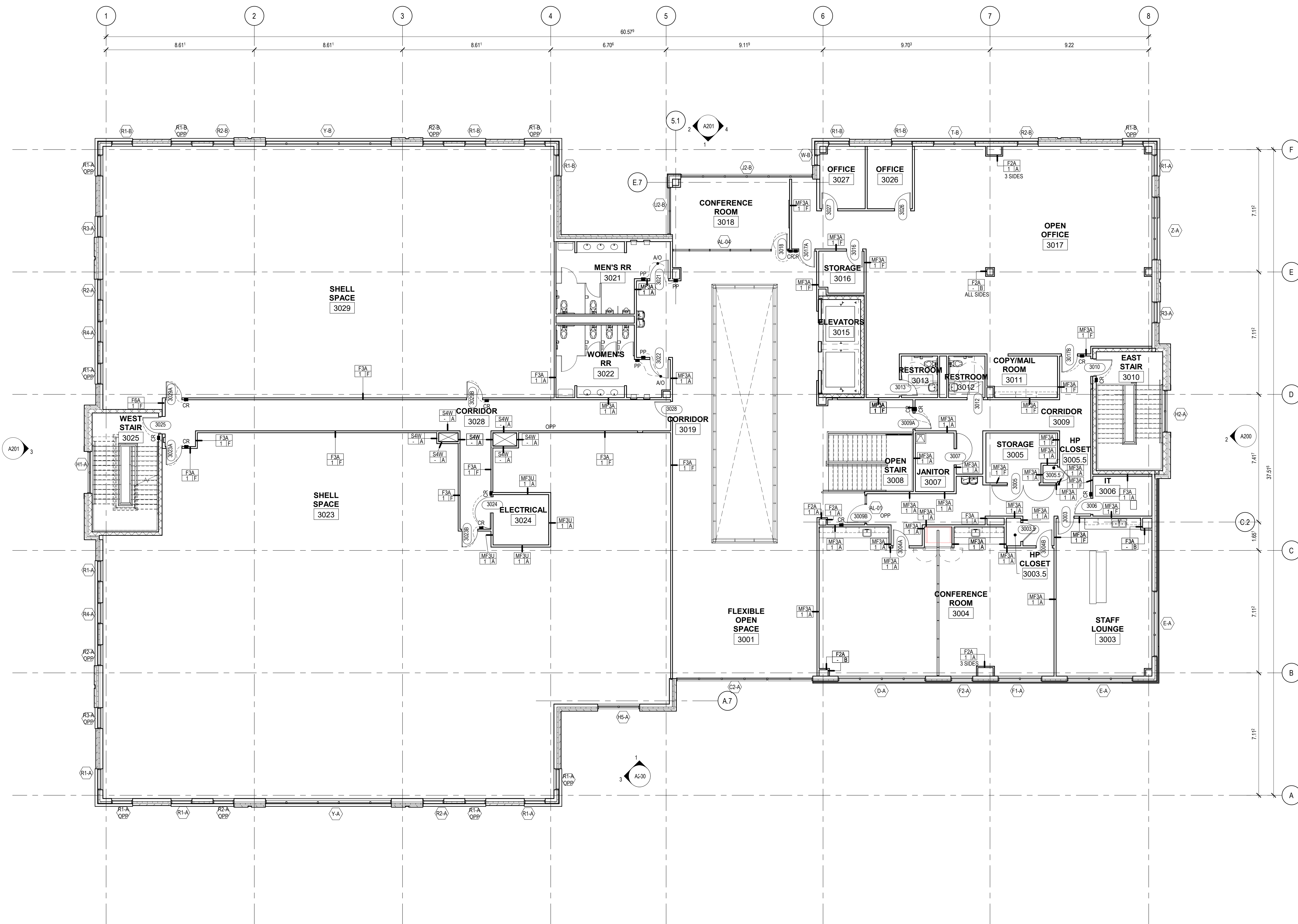
1 SECOND FLOOR PLAN
A120 1:100

SHEET TITLE
SECOND FLOOR PLAN

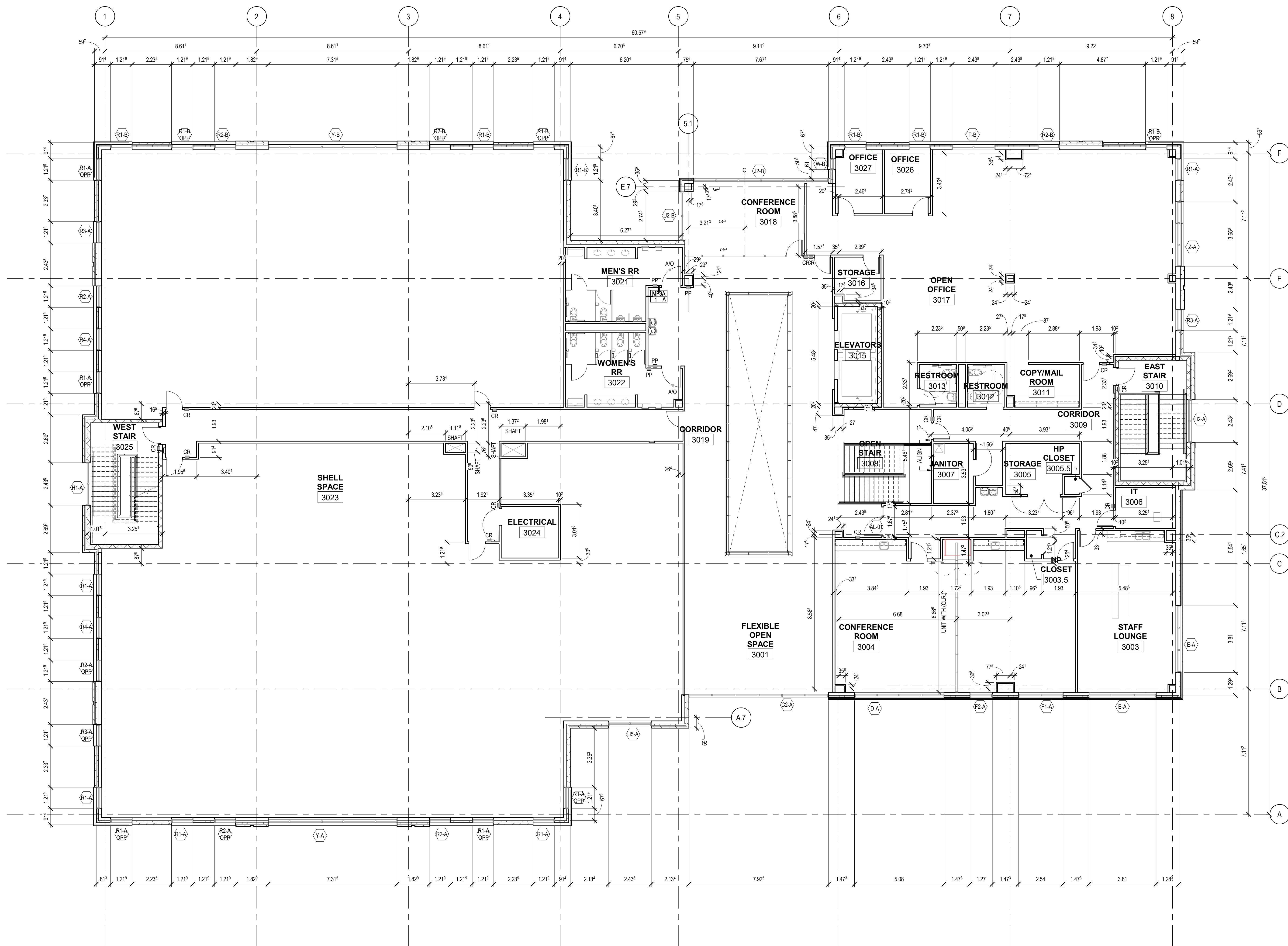
ISSUED FOR CONSTRUCTION
SHEET NO.
A120



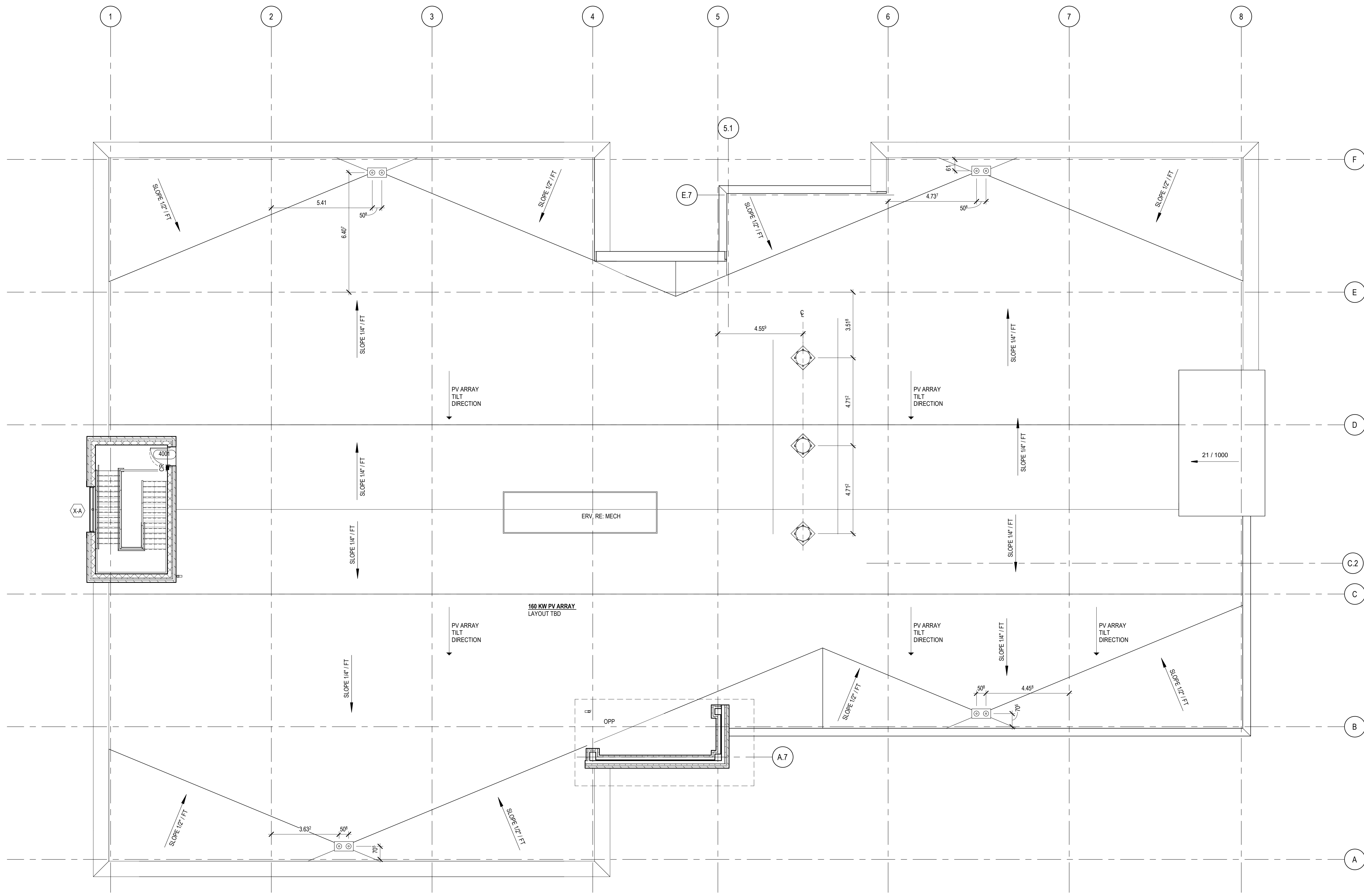
1 SECOND FLOOR DIMENSION PLAN
A121 1:100


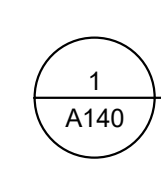


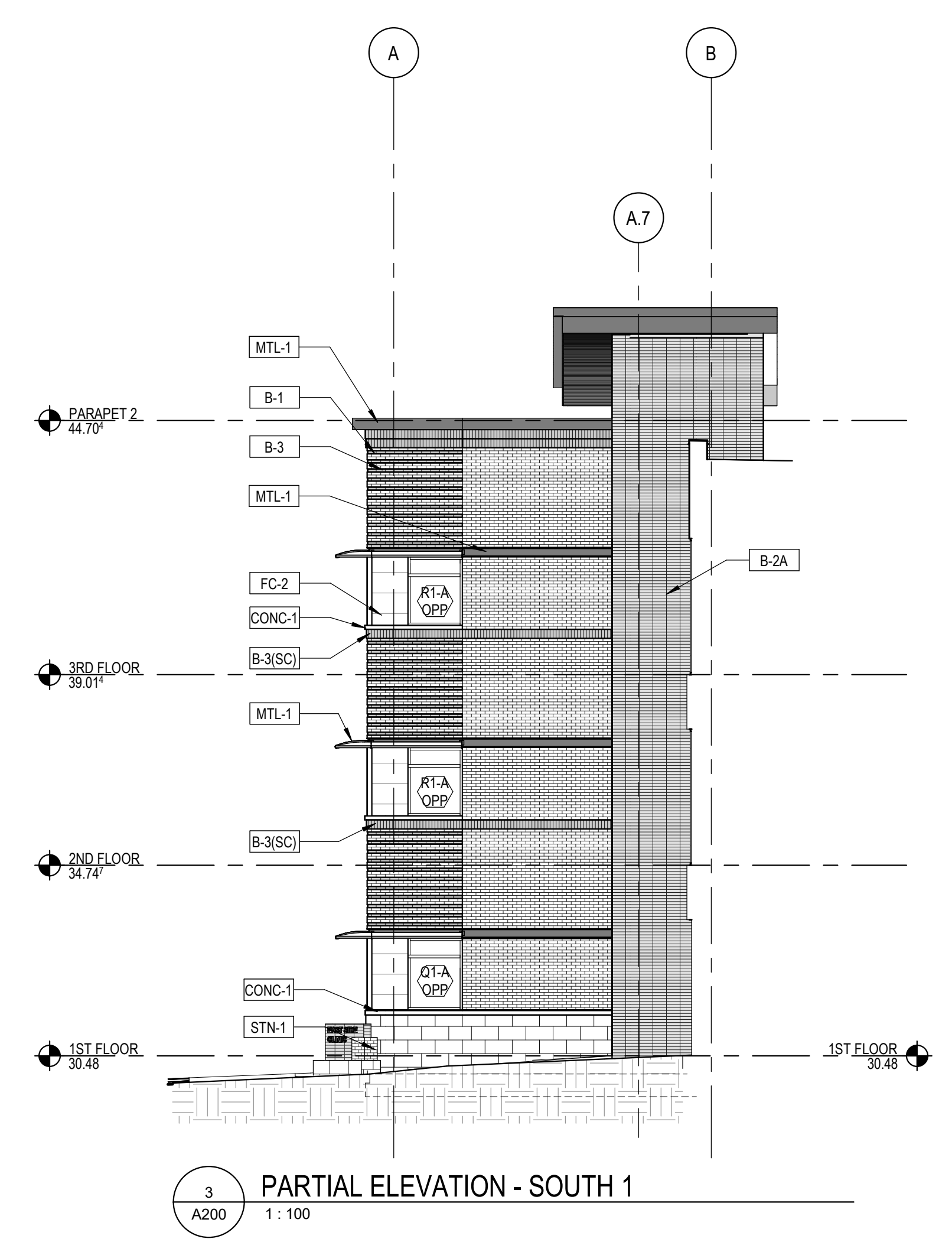

1
A130
THIRD FLOOR PLAN
 1 : 100



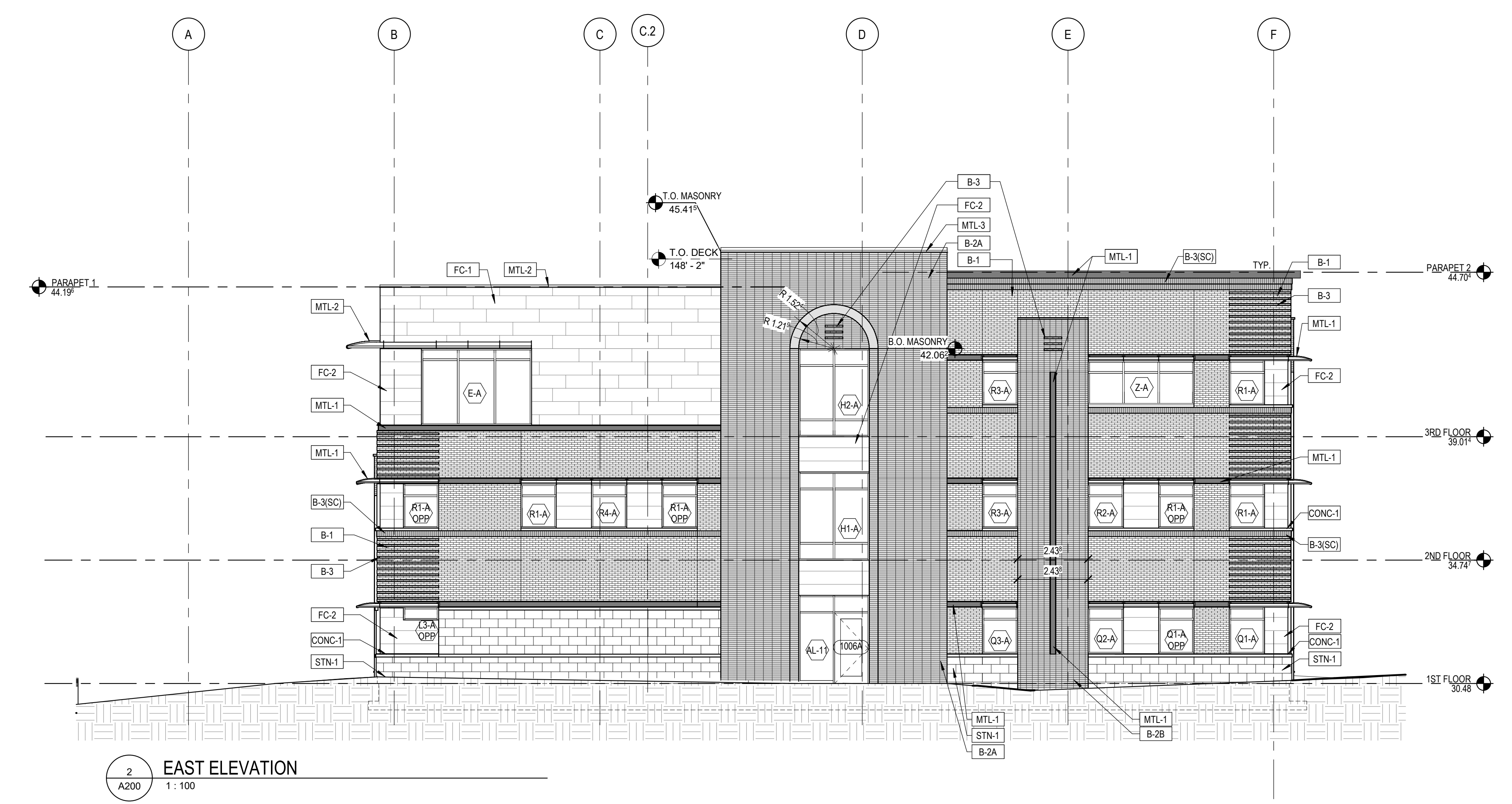

1 THIRD FLOOR DIMENSION PLAN
A131 1:100




 NORTH

 ROOF PLAN
 1:100



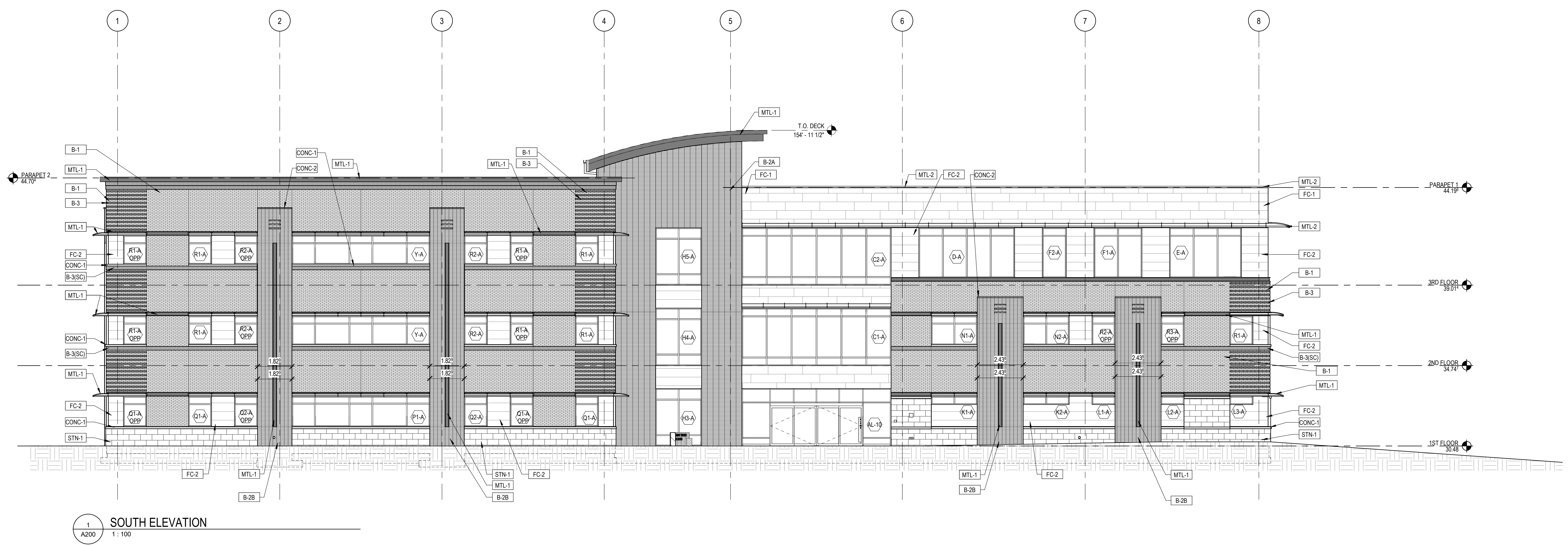
3 PARTIAL ELEVATION - SOUTH 1
A200 1:100



2 EAST ELEVATION
A200 1:100

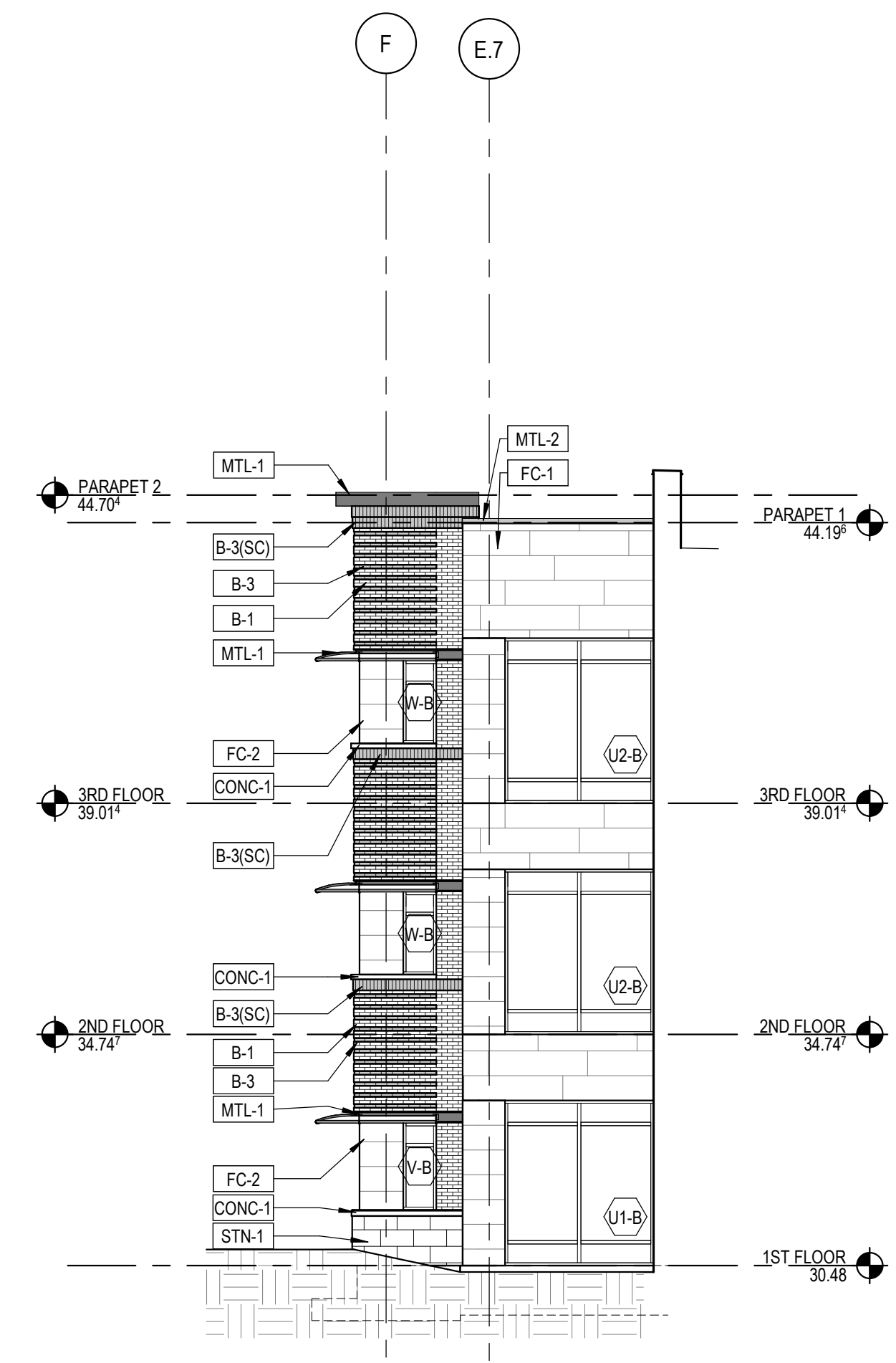
EXTERIOR FINISH LEGEND

	B-1: BRICK VENEER MODULAR GRAIN RUNNING BOND 653 INCA (SUMMIT BRICK)		MTL-1 METAL PANEL, HIGH PERFORMANCE COATING, OR FACTORY FINISH / PRE- FINISHED TO MATCH: BERRIDGE DARK BRONZE
	B-2: BRICK VENEER B-2A: NORMAN SMOOTH B-2B: MODULAR SMOOTH STACK BOND 751C MISTY (SUMMIT BRICK)		MTL-2 PRE-FINISHED / FACTORY FINISH, OR HIGH PERFORMANCE COATING SW-7641 (COLONNADE GRAY)
	B-3: BRICK VENEER MODULAR GRAIN PENCIL COURSE 850-5 NUTMEG (SUMMIT BRICK)		MTL-3 PRE-FINISHED COPING TO MATCH B-2
	STN-1: MANUFACTURED STONE VENEER MASONRY 12x24 RUNNING BOND W/ 1/2" GROUT JOINTS SIERRA CUT - MONUMENT (EL DORADO)		EG-1 FIBERGLASS WINDOW FRAME GREY'S PEAK (ALPEN WINDOWS)
	FC-1: FIBER CEMENT PANEL ILLUMINATION STAGGERED 1/4 SW-7641 (COLONNADE GRAY) NICHHA AWP-1818		VISION GLAZING SEE WINDOW ELEVATIONS FOR TYPE
	FC-2: FIBER CEMENT PANEL ILLUMINATION STACKED PATTERN SW-7641 (COLONNADE GRAY) NICHHA AWP-1818		CONC-1 / CONC-2 PRECAST CONCRETE SLLCAP FINISH TBD

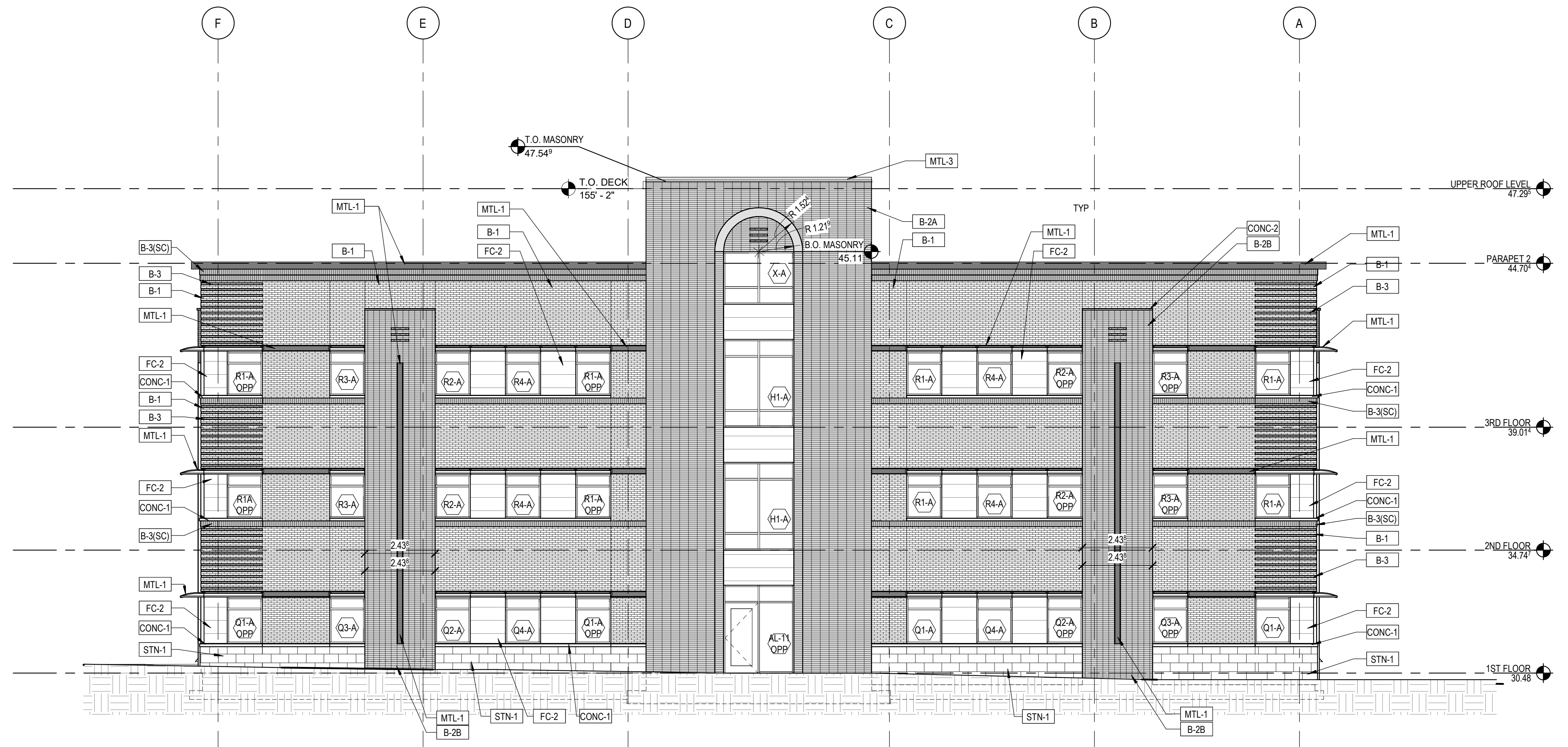


1 SOUTH ELEVATION
A200 1:100

SHEET TITLE
**EXTERIOR
ELEVATIONS**



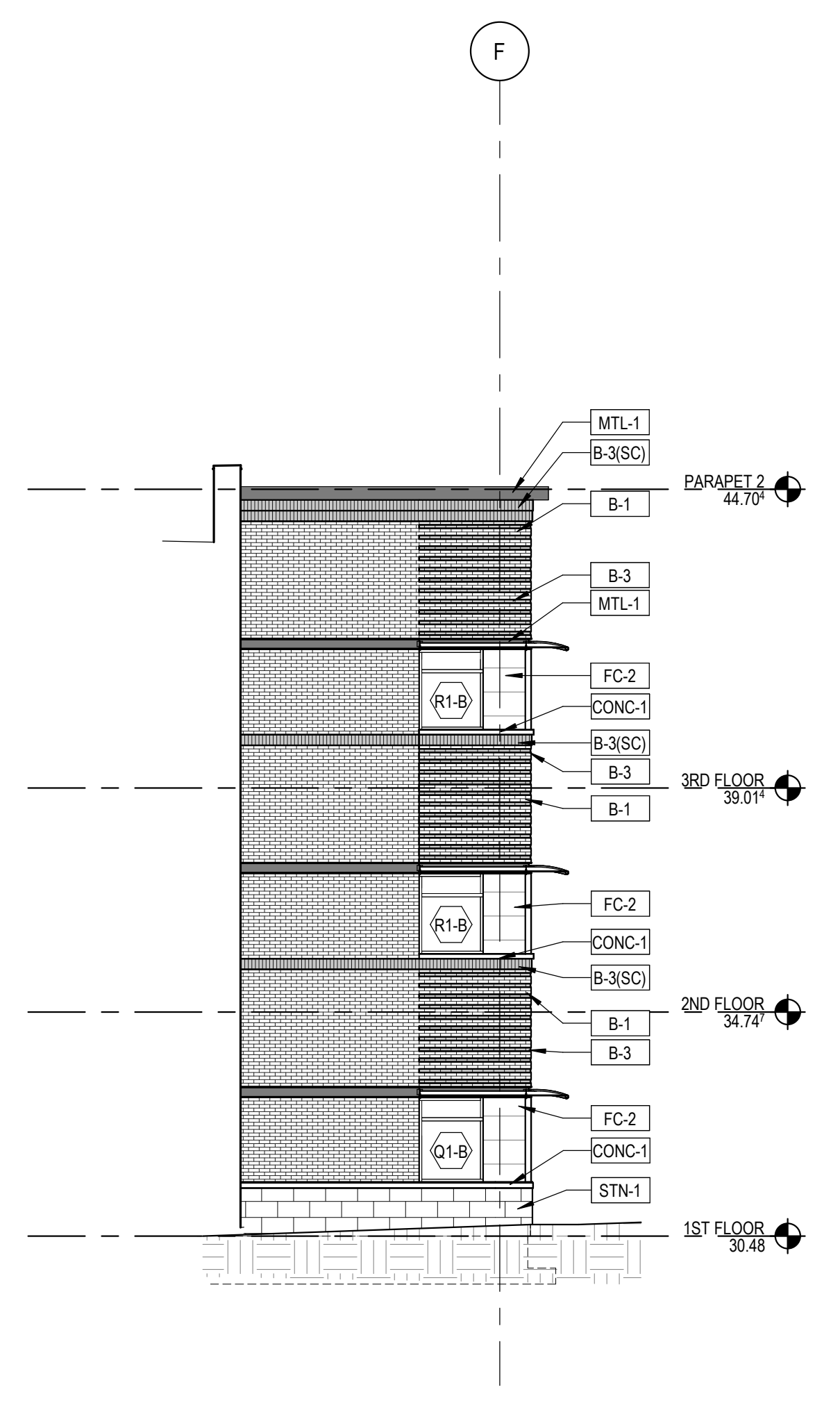
4 PARTIAL ELEVATION - NORTH 2
 A201 1:100



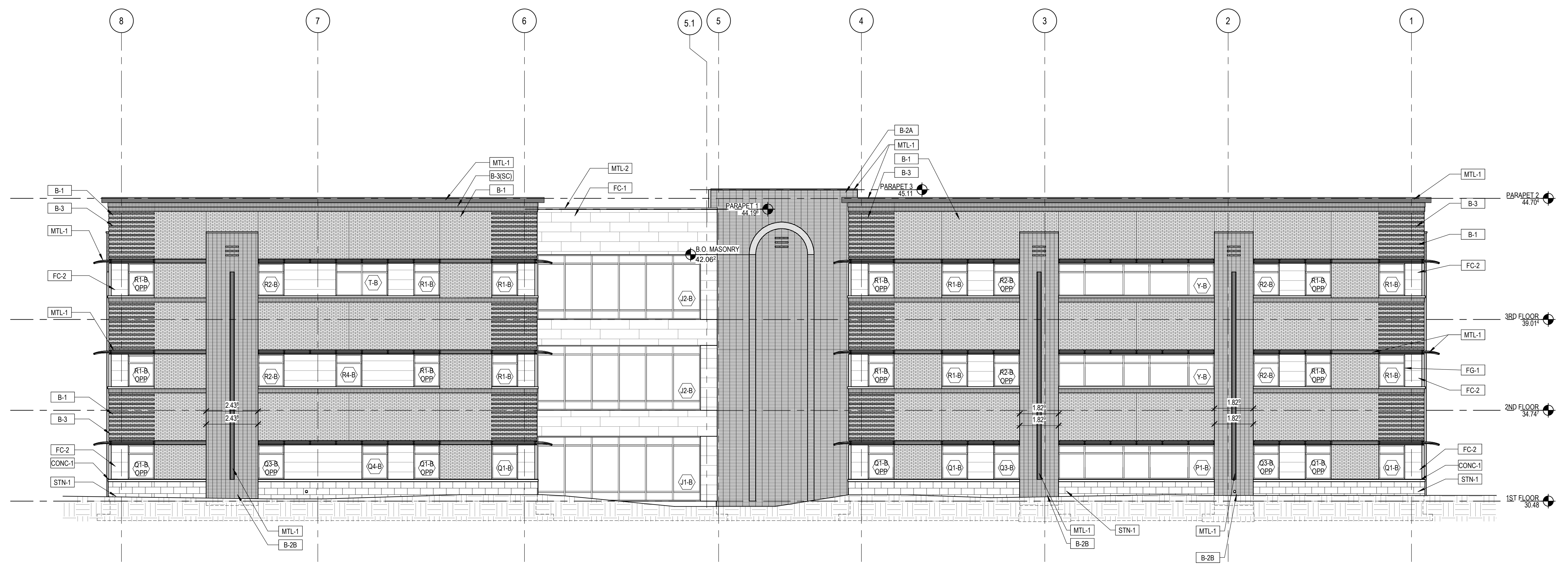
3 WEST ELEVATION
 A201 1:100

EXTERIOR FINISH LEGEND

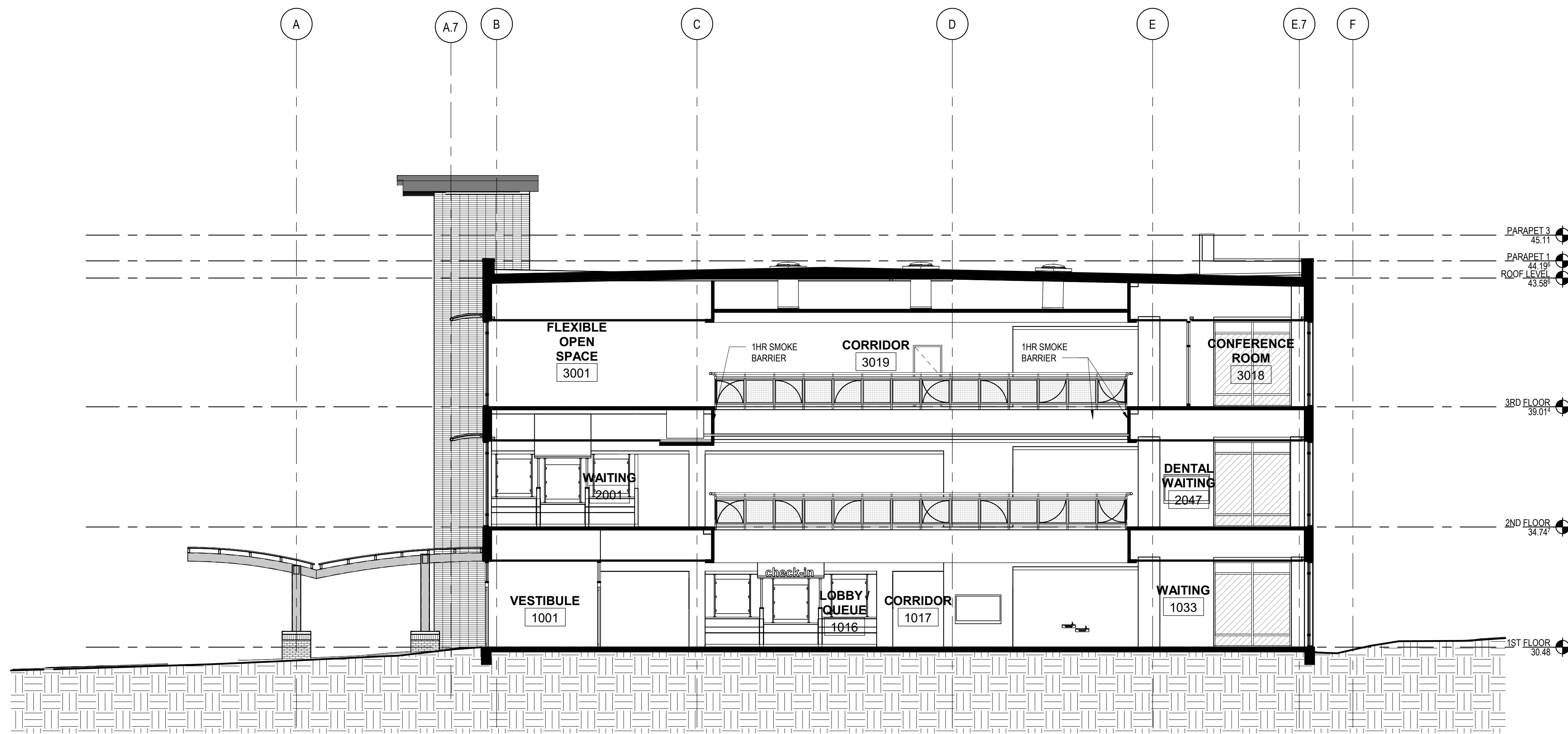
	B-1: BRICK VENEER MODULAR GRAIN RUNNING BOND 653 INCA (SUMMIT BRICK)		MTL-1: METAL PANEL , HIGH PERFORMANCE COATING, OR FACTORY FINISH / PRE- FINISHED TO MATCH BERRIDGE DARK BRONZE
	B-2: BRICK VENEER B-2A: NORMAN SMOOTH B-2B: MODULAR SMOOTH STACK BOND 751C MISTY (SUMMIT BRICK)		MTL-2: PRE-FINISHED / FACTORY FINISH, OR HIGH PERFORMANCE COATING SW-7641 (COLONNADE GRAY)
	B-3: BRICK VENEER MODULAR GRAIN PENCIL COURSE 650-5 NUTMEG (SUMMIT BRICK)		MTL-3: PRE-FINISHED COPING TO MATCH B-2
	STN-1: MANUFACTURED STONE VENEER MASONRY 12"x24" RUNNING BOND W/ 1/2" GROUT JOINTS SIERRA CUT - MONUMENT (EL DORADO)		FG-1: FIBERGLASS WINDOW FRAME GREY'S PEAK (ALPEN WINDOWS)
	FC-1: FIBER CEMENT PANEL ILLUMINATION STAGGERED 1/4 SW-7641 (COLONNADE GRAY) NICHHA AWP-1818		VISION GLAZING SEE WINDOW ELEVATIONS FOR TYPE
	FC-2: FIBER CEMENT PANEL ILLUMINATION STACKED PATTERN SW-7641 (COLONNADE GRAY) NICHHA AWP-1818		CONC-1 / CONC-2: PRECAST CONCRETE SILL/CAP FINISH TBD



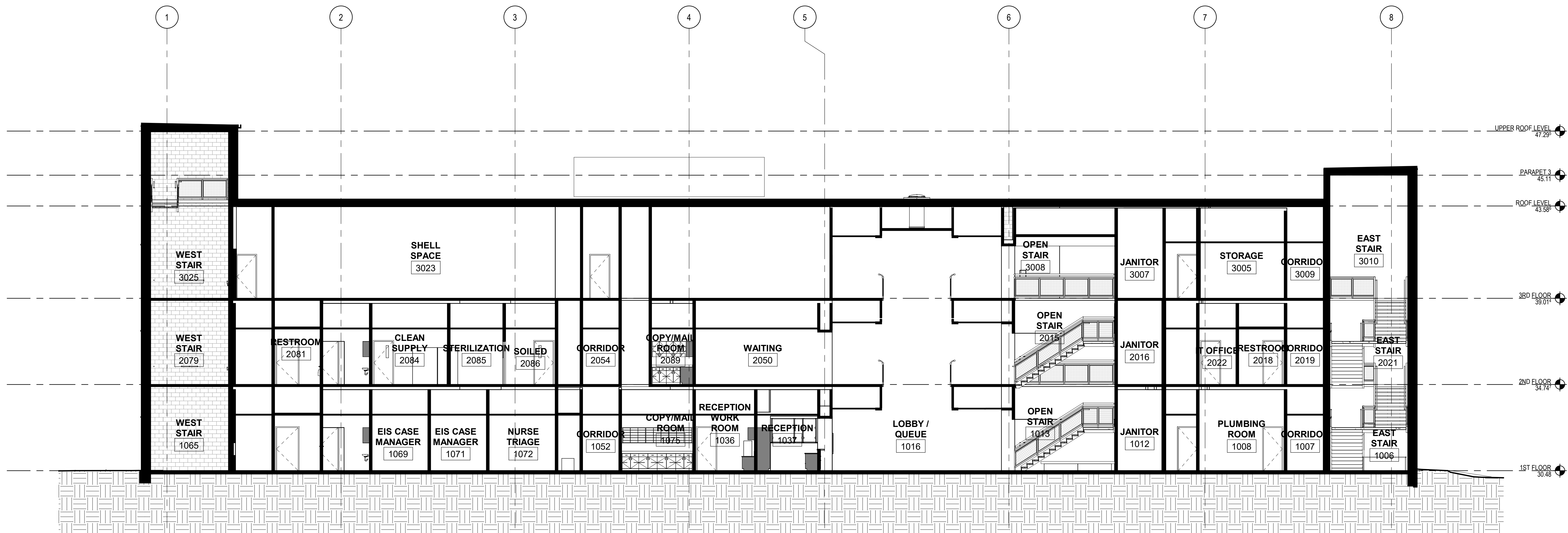
2 PARTIAL ELEVATION - NORTH 1
 A201 1:100



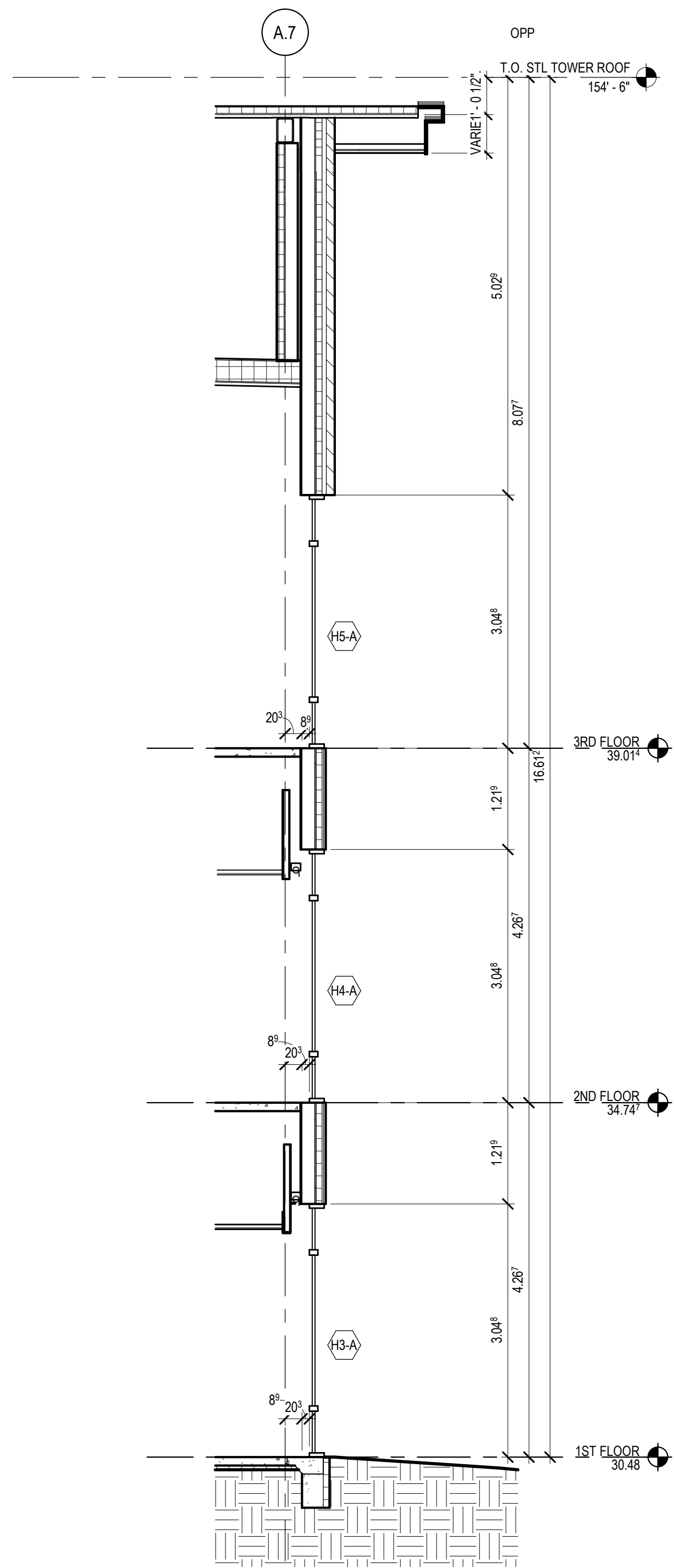
1 NORTH ELEVATION
 A201 1:100



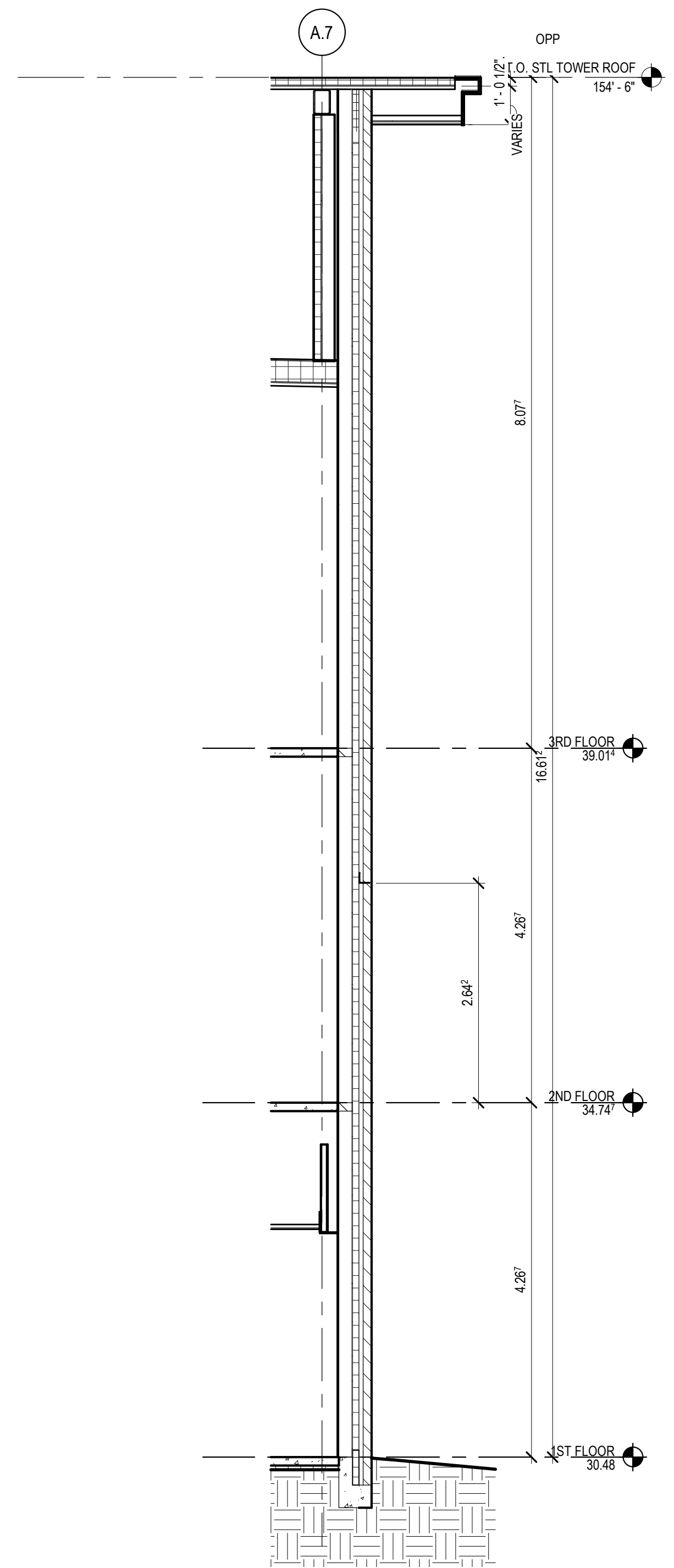
1
A300
TRANSVERSE SECTION
1:100



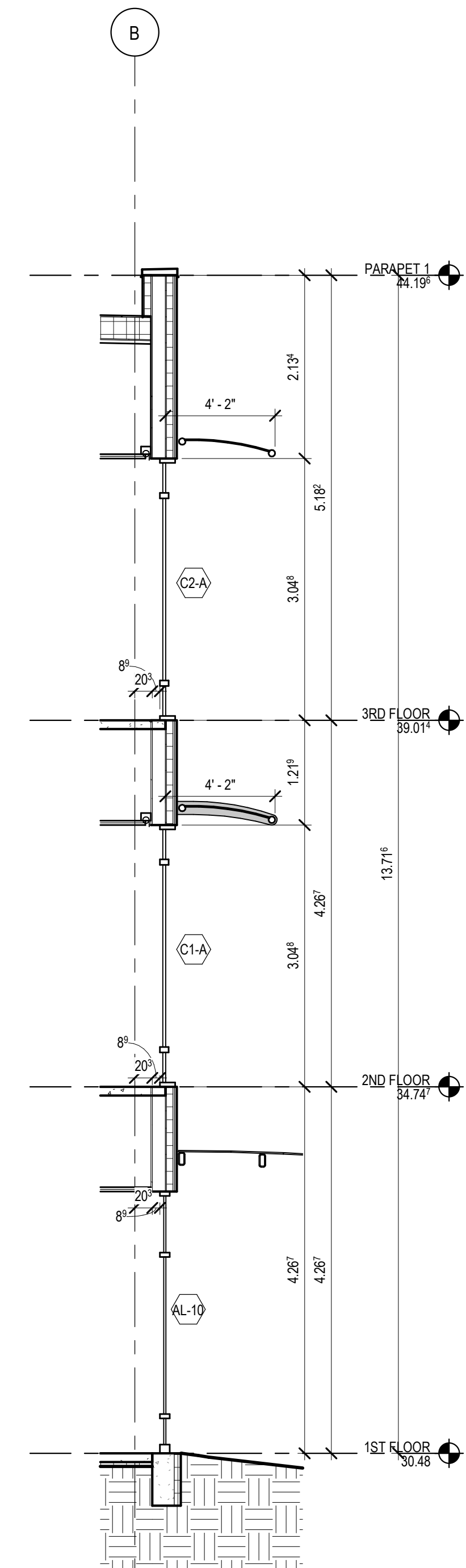
2
A300
LONGITUDINAL SECTION
1:100



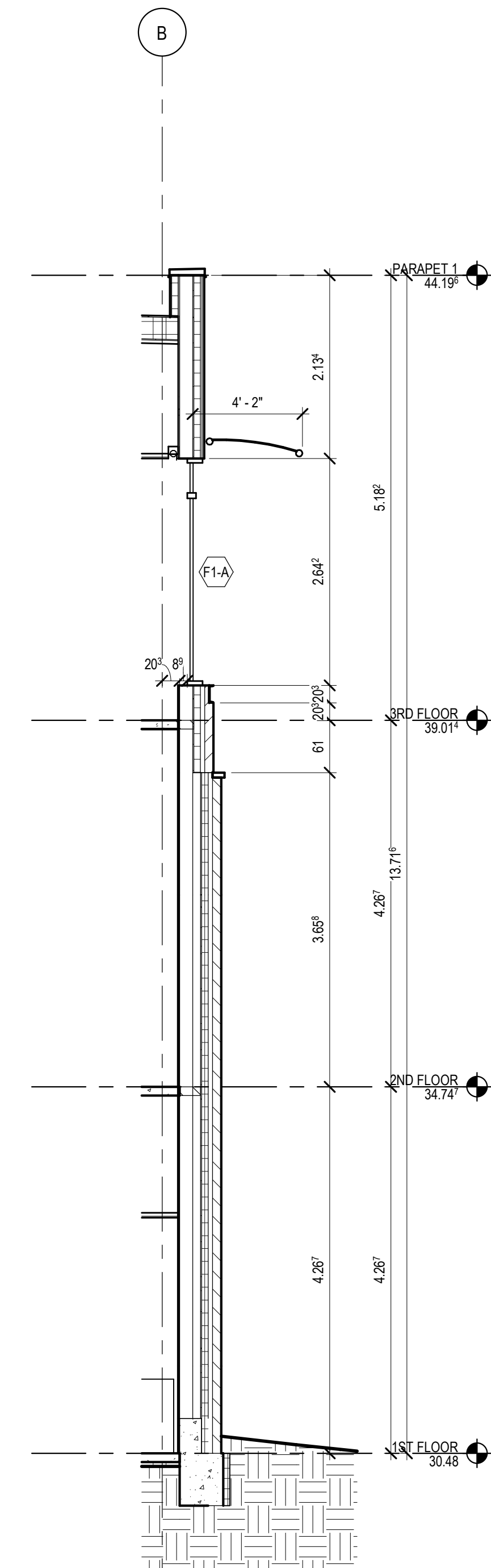
4 N-S WALL SECTION
A310 1:50



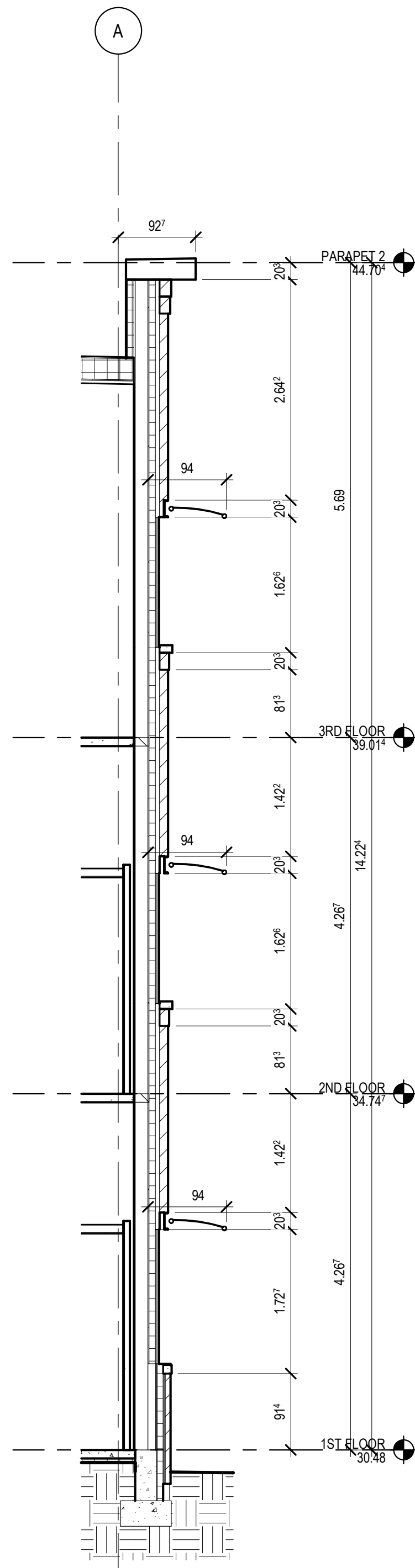
3 N-S WALL SECTION
A310 1:50



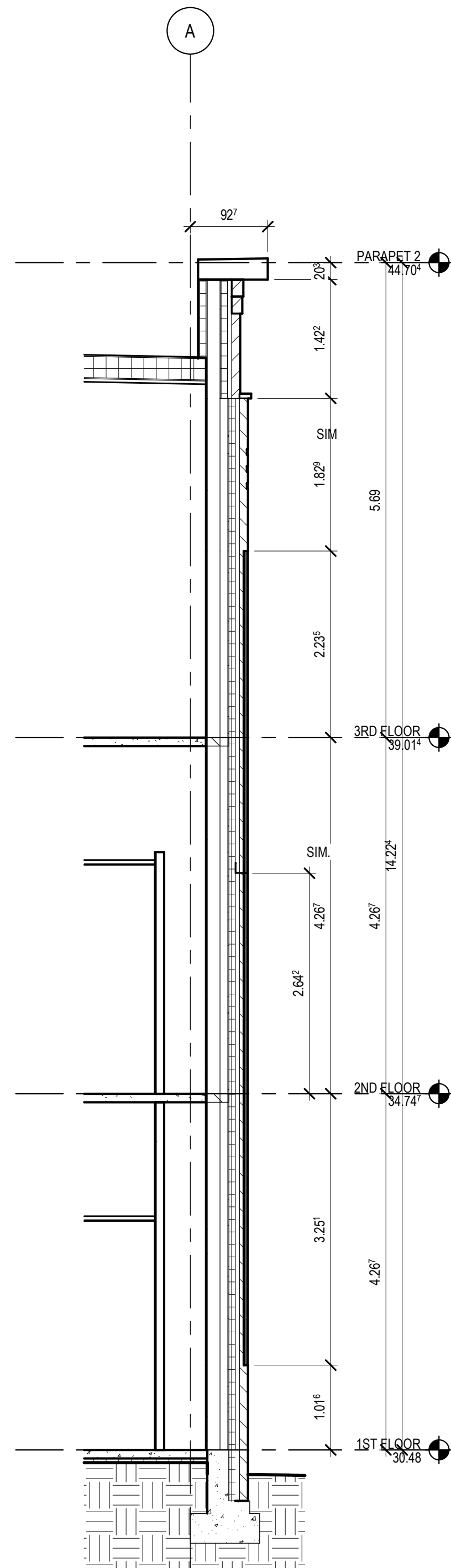
2 N-S WALL SECTION
A310 1:50



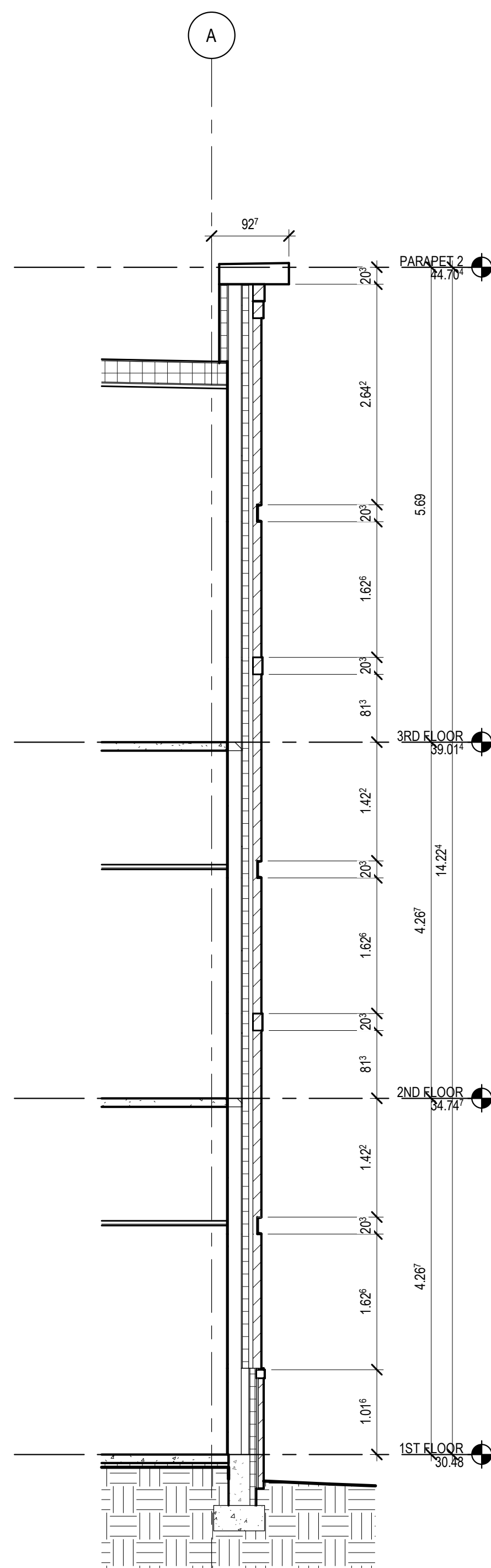
1 N-S WALL SECTION
A310 1:50



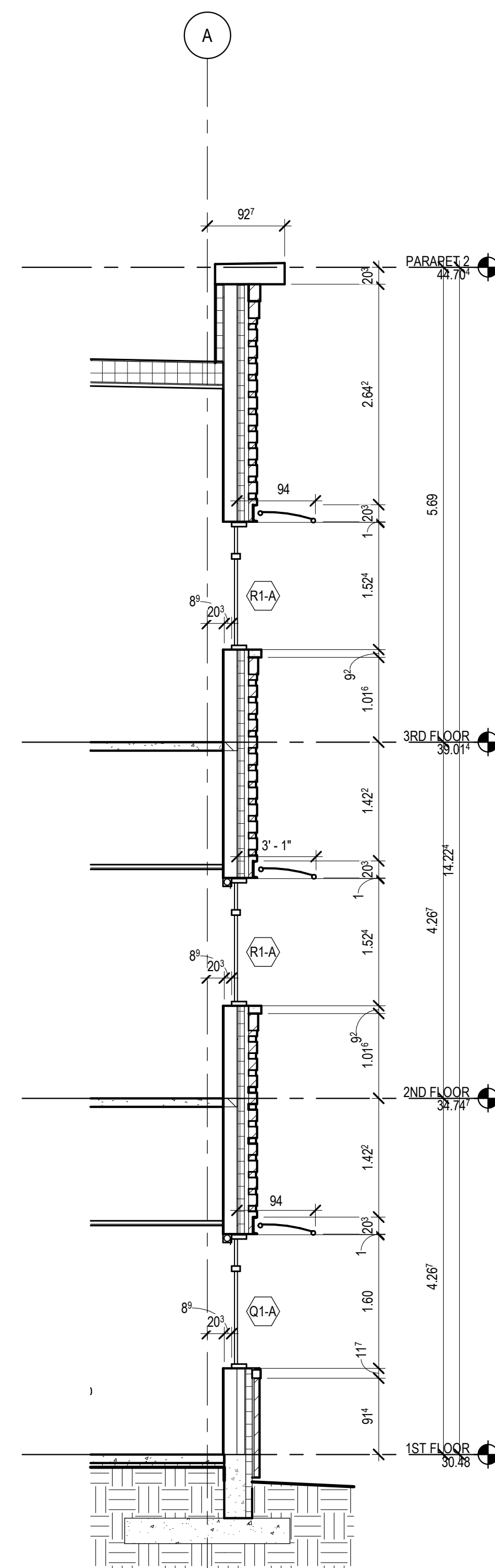
4 N-S WALL SECTION
A311 1:50



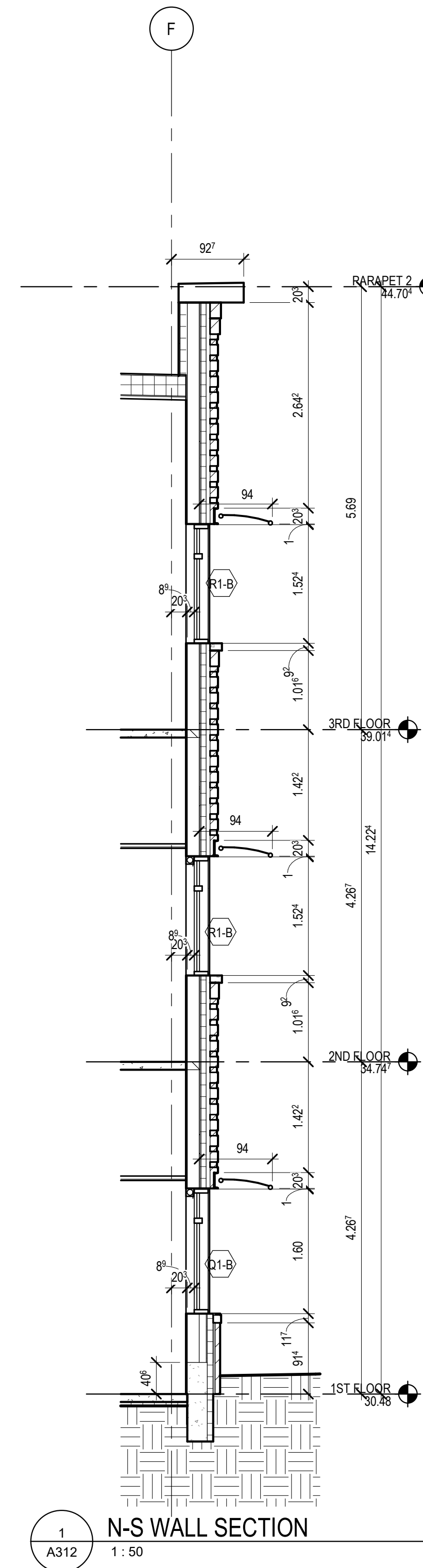
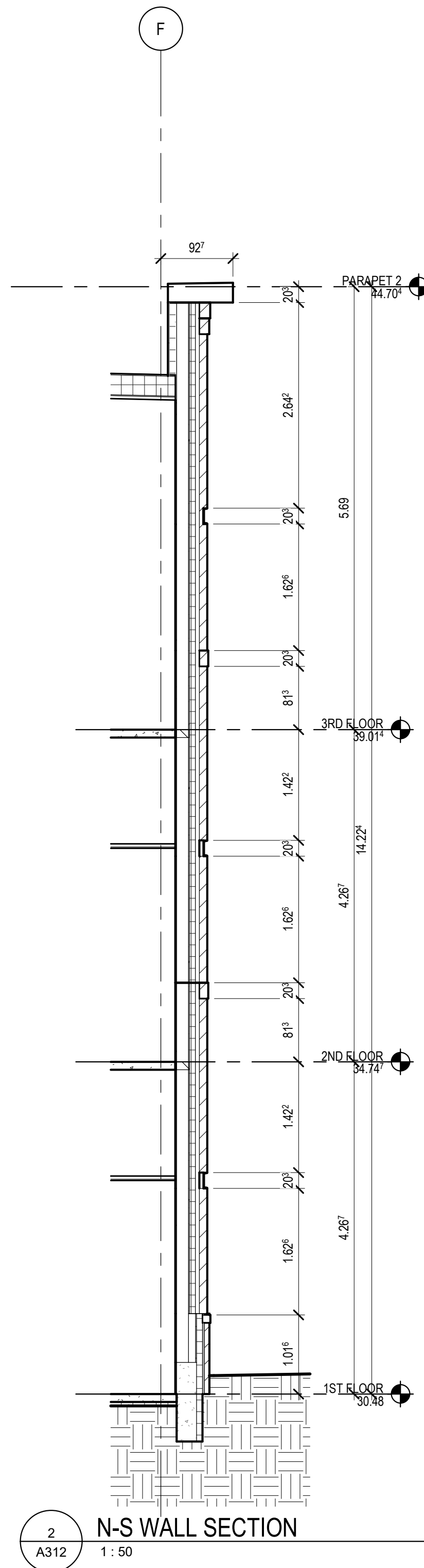
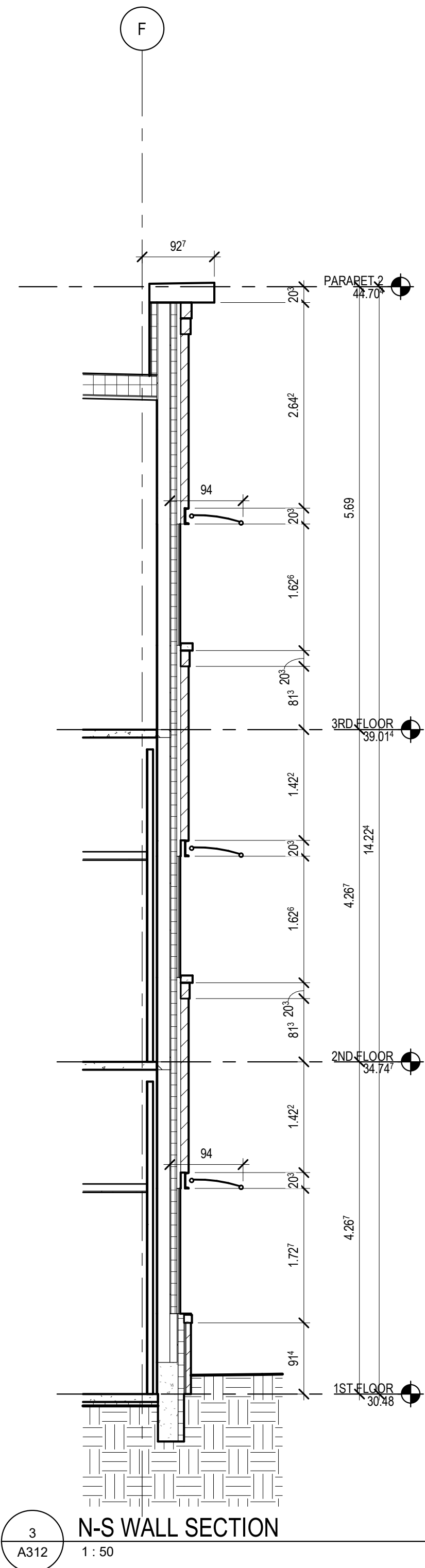
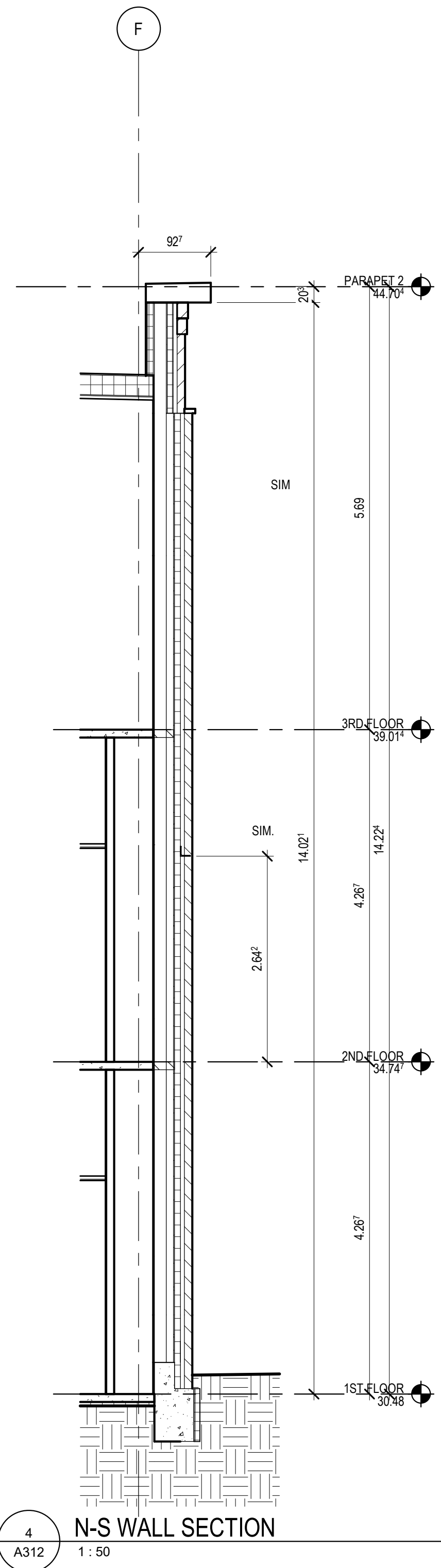
3 N-S WALL SECTION
A311 1:50

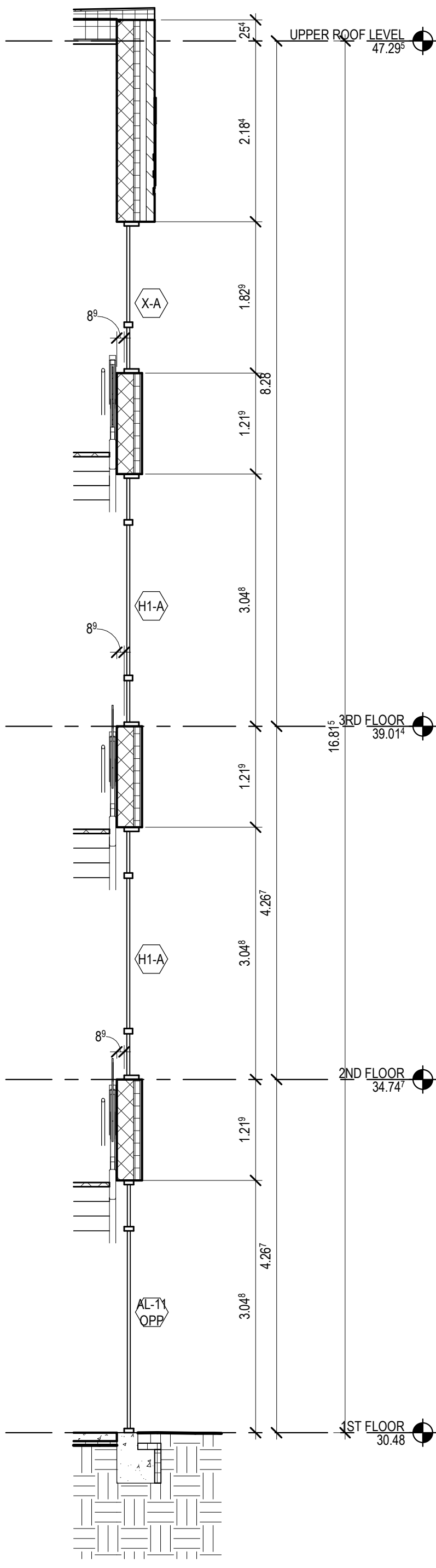


2 N-S WALL SECTION
A311 1:50

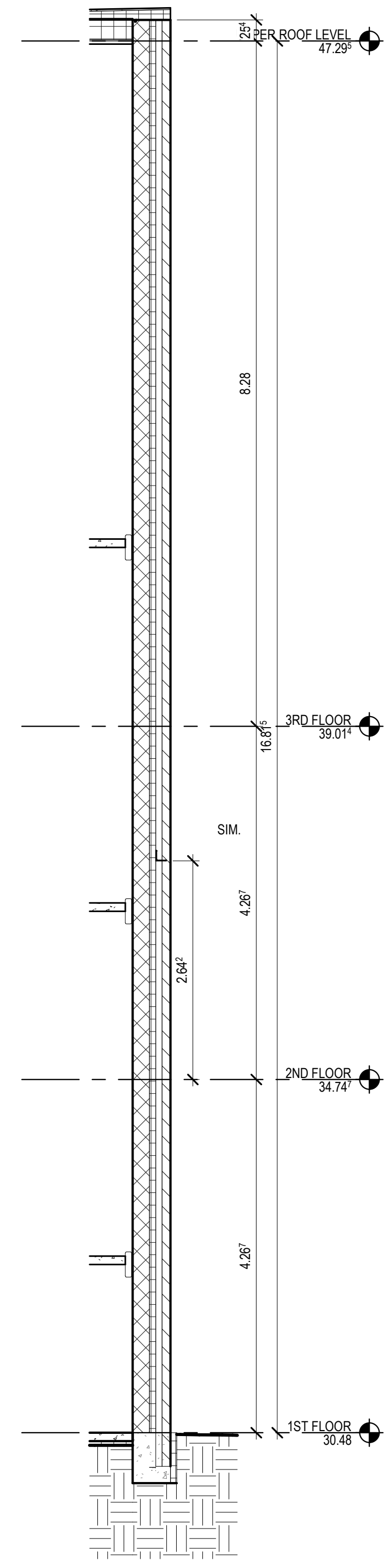


1 N-S WALL SECTION
A311 1:50

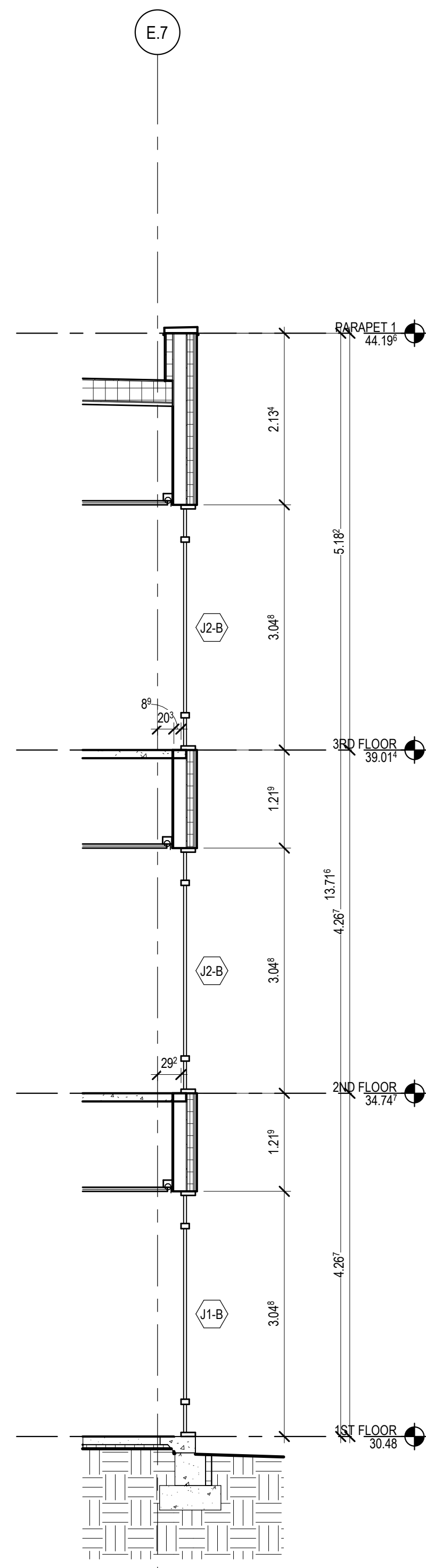




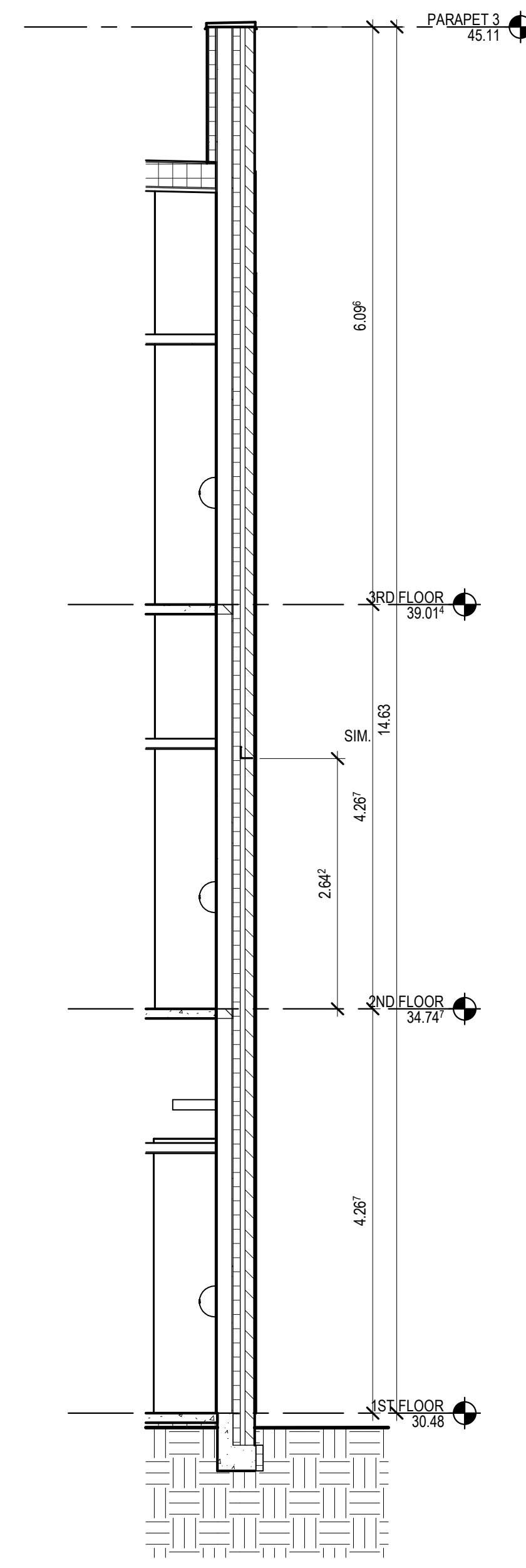
4
A313
E-W WALL SECTION
1:50



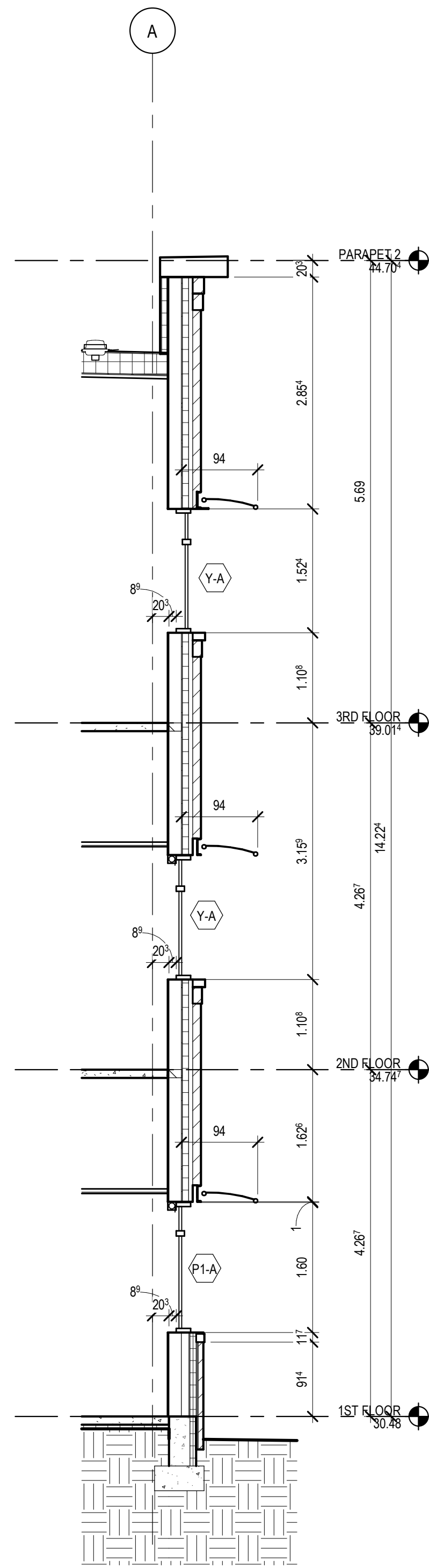
3
A313
E-W WALL SECTION
1:50



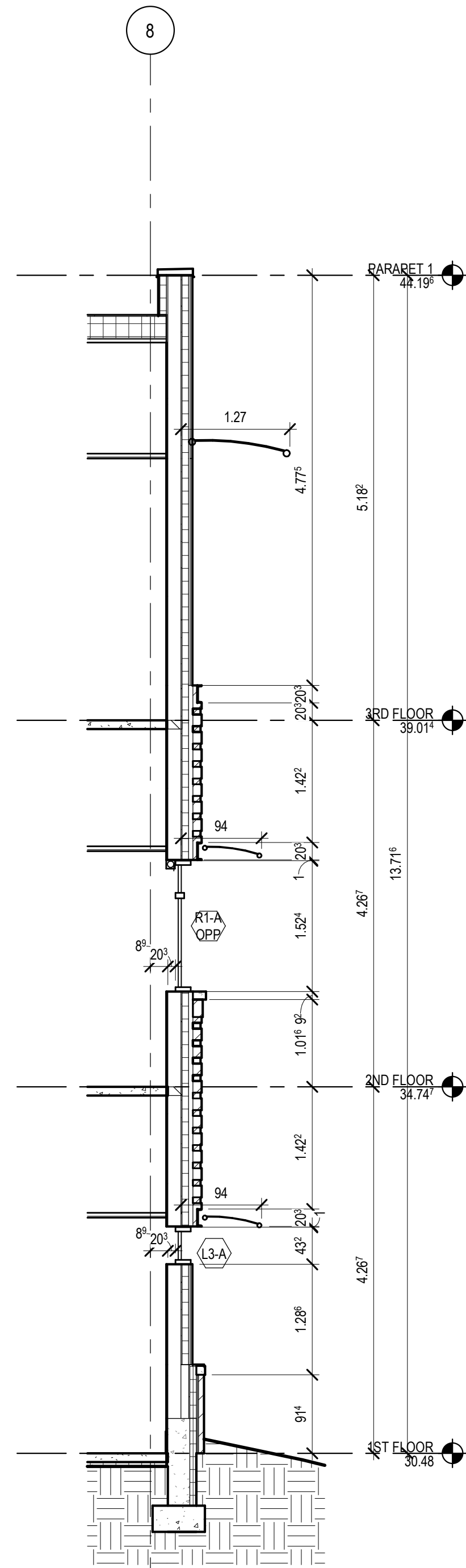
2
A313
N-S WALL SECTION
1:50



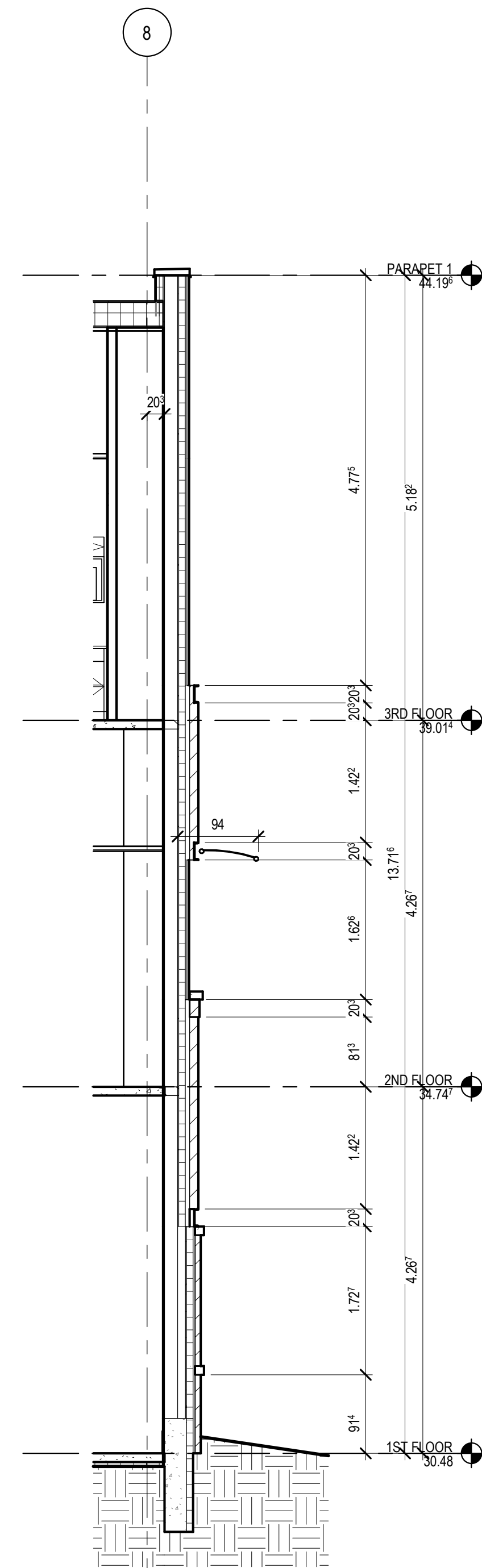
1
A313
N-S WALL SECTION
1:50



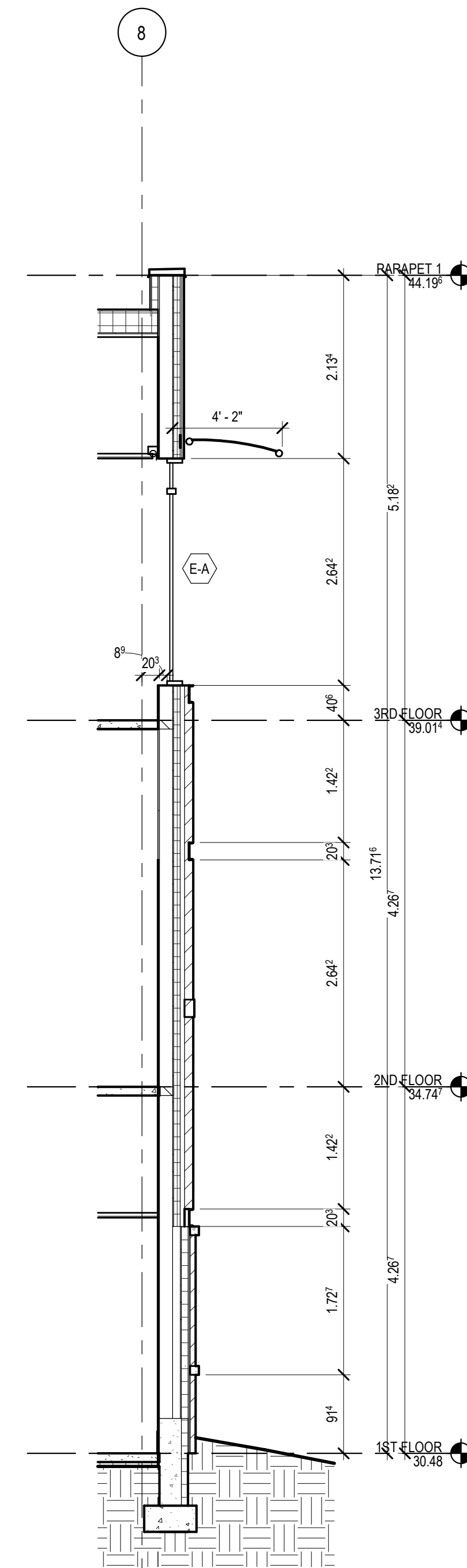
4 N-S WALL SECTION
A314 1:50



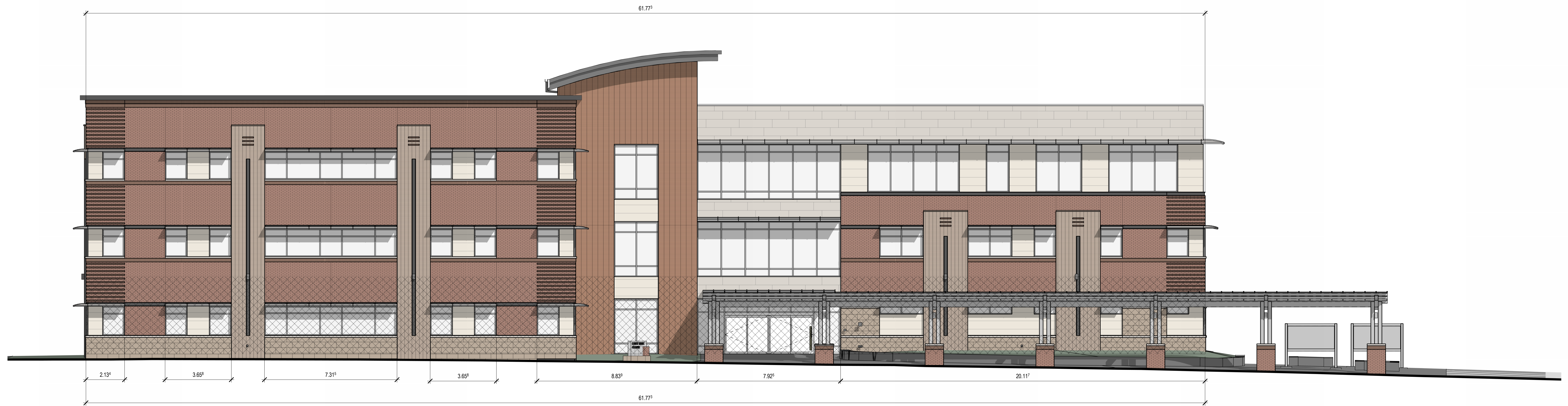
3 E-W WALL SECTION
A314 1:50



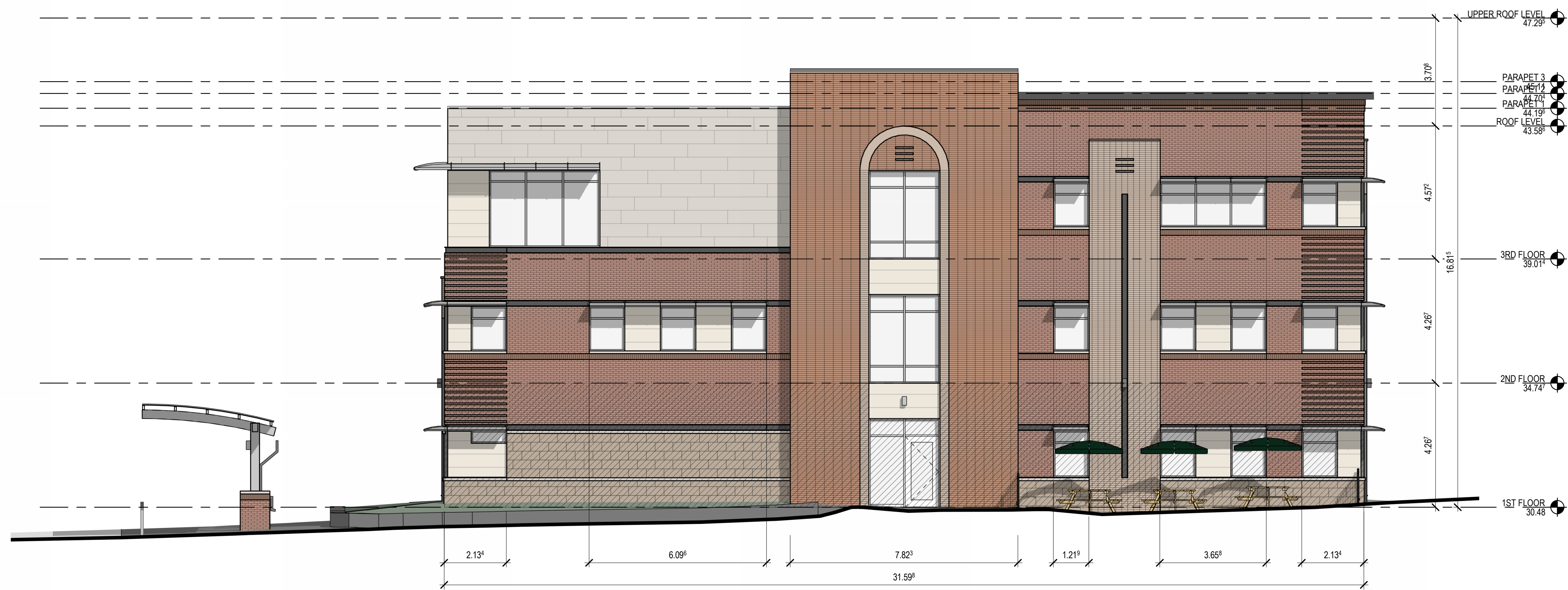
2 E-W WALL SECTION
A314 1:50



1 E-W WALL SECTION
A314 1:50

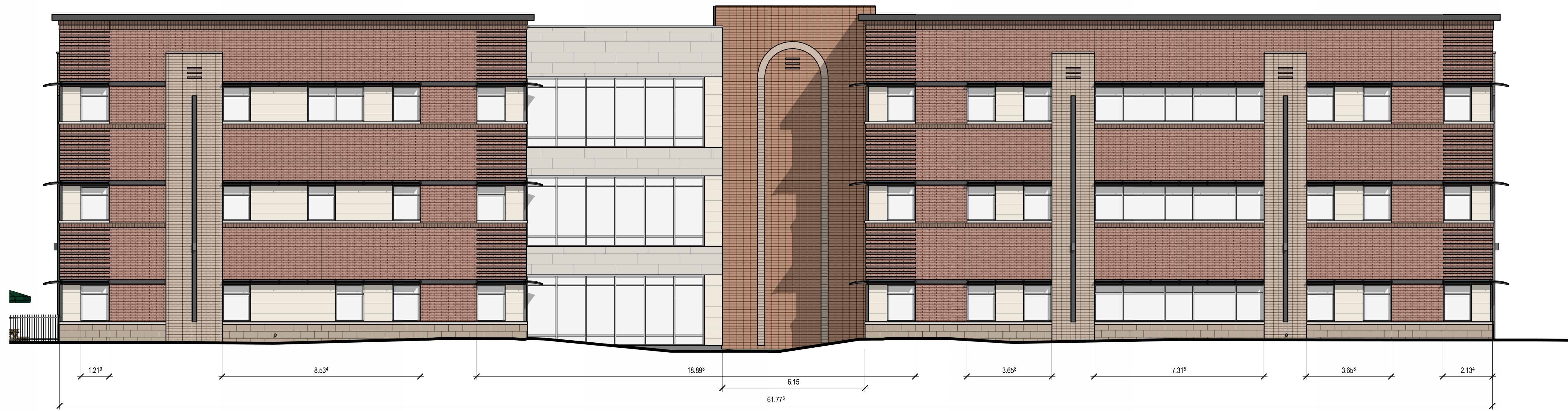


SOUTH ELEVATION
1:96

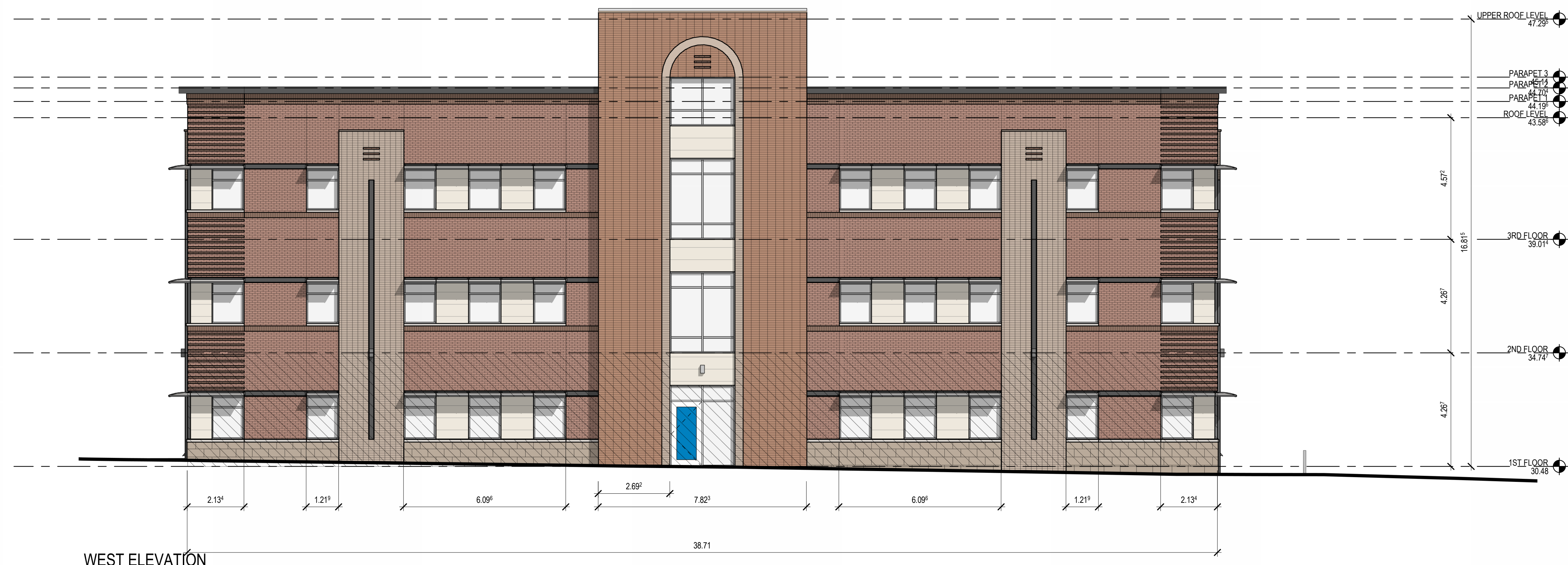


EAST ELEVATION
1:96

EXTERIOR ELEVATIONS



NORTH ELEVATION
1:96



WEST ELEVATION
1:96

EXTERIOR ELEVATIONS